

# KME-T-MSA050S-99-2PZ



SKU: KME00942




**KONEC HUMAN PRESENCE SENSOR - 2<sup>ND</sup> GEN**

**INSTALLATION GUIDE**

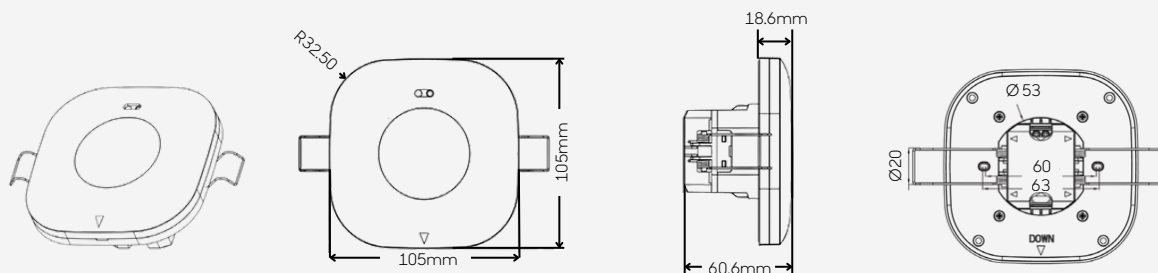
Scan the QR Code to download Arks by Konec Solutions App



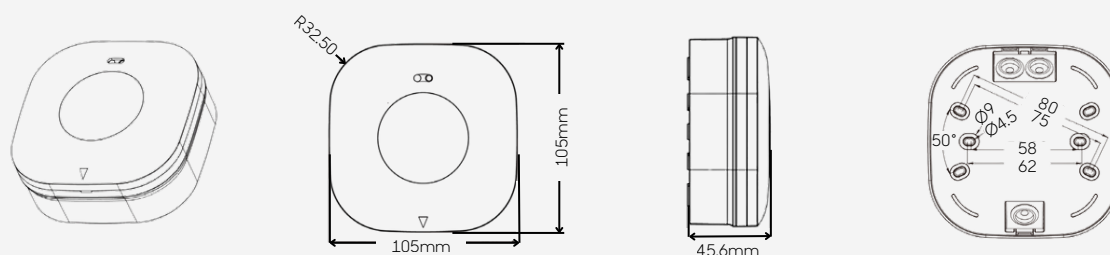
Disclaimer	Installation Safety Warnings
<ul style="list-style-type: none"> <li>This guide is intended to assist qualified professionals with the correct installation of the Konec Human Presence Sensor.</li> <li>Please follow all instructions carefully and ensure compliance with AS/NZS 3000 and local regulations. Improper installation or modification may void the warranty and result in safety risks.</li> <li>This guide is for reference only. Product details may change without notice.</li> <li>To the extent allowed by law, Konec Solutions is not liable for any damage, injury, or loss resulting from the use of this guide or the installation process.</li> <li>This disclaimer does not affect your rights under the Australian Consumer Law or the New Zealand Consumer Guarantees Act 1993.</li> </ul>	<p>To ensure a safe and compliant installation, please follow these precautions:</p> <ul style="list-style-type: none"> <li>This product is designed for professional installation.</li> <li>Disconnect power before starting installation or maintenance.</li> <li>Installation must comply with AS/NZS 3000 and all relevant local electrical and building regulations.</li> <li>Do not exceed the product's rated electrical capacity.</li> <li>Avoid using power tools unless explicitly specified.</li> <li>Do not install in areas exposed to water or high humidity unless rated for such conditions.</li> <li>Use appropriate personal protective equipment (e.g., gloves, safety glasses).</li> </ul>

## DIMENSIONS

### Flush / Recessed Mounted

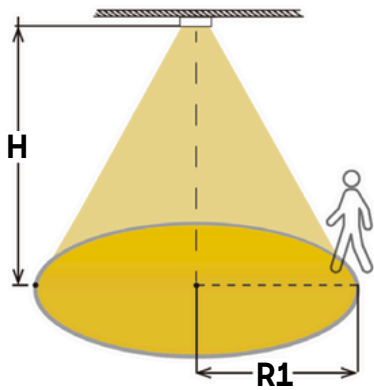


### Surface Mounted

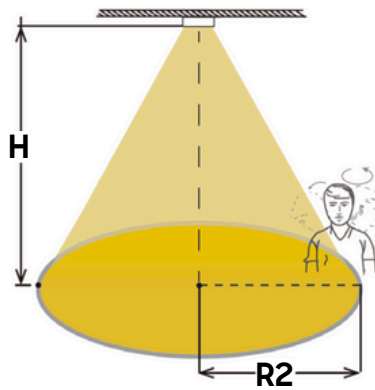


## DETECTION RANGE

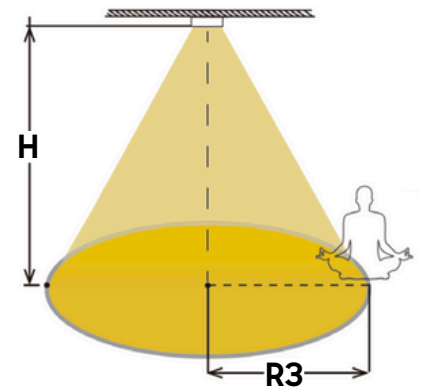
The detection range is based on the mounting height of 3 m.  
The detection sensitivity is shown in the table below.



**Dynamic Movement**



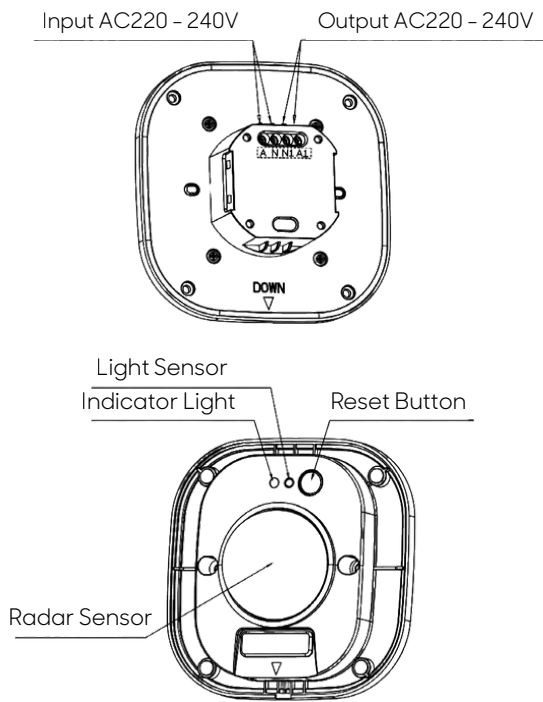
**Subtle Movement**



**Static Movement**

Mounting Height	H=3m			
Detection Sensitivity	Setting	R1	R2	R3
High Sensitivity	4m	3.5-4.5m	3.5-4.5m	3.5-4.5m
	3.5m	3-4m	3-4m	3-4m
	3m	2.5-3.5m	2.5-3.5m	2.5-3.5m
	2.5m	2-3m	2-3m	2-3m
	2m	1.5-2.5m	1.5-2.5m	1.5-2.5m
	1.5m	0.5-2m	0.5-2m	0.5-2m
	1m	0.5-1m	0.5-1m	0.5-1m
	0.5m	0-0.5m	0m	0m
Medium sensitivity	4m	3-4m	3-4m	2-2.5m
	3.5m	3-3.5m	3-3.5m	2-2.5m
	3m	2.5-3m	2.5-3m	1.5-2m
	2.5m	2-2.5m	2-2.5m	1-1.5m
	2m	1.5-2m	1.5-2m	0.5-1m
	1.5m	1-1.5m	1-1.5m	0-0.5m
	1m	0.5-1m	0.5-1m	0m
	0.5m	0-0.5m	0-0.5m	0m
Low Sensitivity	4m	2.5-3m	1.5-2m	No Static Movement Detected
	3.5m	3-3.5m	1-2m	
	3m	2.5-3m	1-1.5m	
	2.5m	2-2.5m	0.5-1m	
	2m	1.5-2m	0.5-1m	
	1.5m	1-1.5m	0-0.5m	
	1m	0.5-1m	0-0.5m	
	0.5m	0m	0m	

## PRODUCT PARTS



## WHAT'S INCLUDED

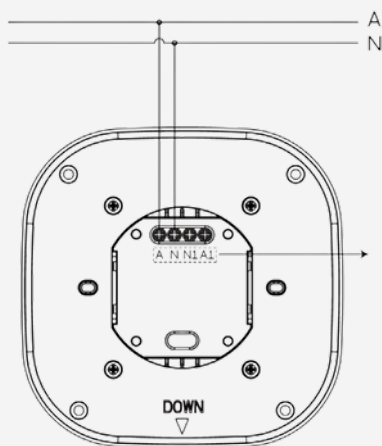
No.	Item Name	Qty
1	Human Presence Sensor	1
2	Retaining Clip Mount	1
3	Retaining Clip Mount Cover	1
4	Surface Mount Box	1
5	Wall Plugs	2
6	Screws M3.5 x 25mm	2
7	Screws M3 x 8mm	3

## WIRING INSTRUCTION

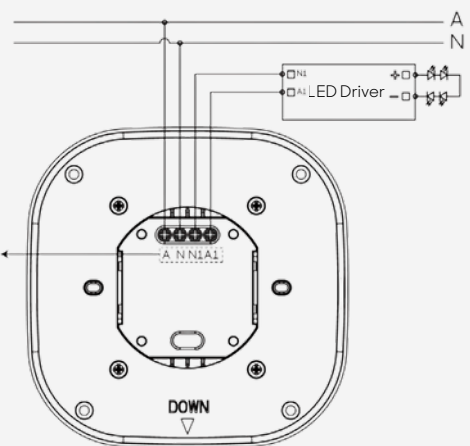


**Note:** Before installation, ensure that the wiring, cut-out, and clearance meet the specified requirements.

### WITHOUT LOAD




### CONNECT WITH LOAD



This wiring diagram is for reference only; actual placement may vary.

- A/N terminal is for power input, A1/N1 is for power output.
- The sensor has a maximum output of 800W for resistive loads and 400W for inductive loads.

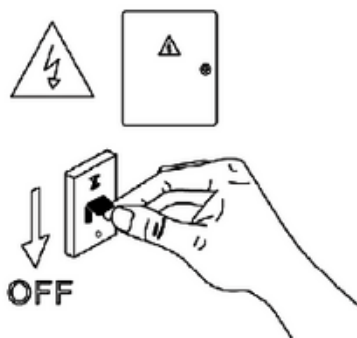
## INSTALLATION PRE-CAUTIONS

 Household and indoor uses only, installed by a qualified professional.

1. This sensor is suitable for indoor use only. Inaccurate readings may be triggered by conditions in semi-outdoor environments.
2. For optimal performance, this product must be securely installed to prevent false triggering from vibrations or movement.
3. The light sensor and daylight harvesting testing are conducted on a bright day without shadows or specialised lampshades or lenses. In actual use, the sensor's performance may be affected by weather conditions, coverings, and surrounding light lumen levels.
4. The distance between two human presence sensors must be greater than 3 meters.
5. The installation height and obstacles in the area can affect the detection range. The detection range given in the manual is a indicative value.
6. If the radar sensor is installed on a reflective metal surface, or in a small, enclosed space, the microwaves can bounce and cause false triggers. To reduce the amount of false triggering, please adjust the detection radius accordingly.
7. DC motors, fans, curtains, sewer pipes, air conditioners or Wi-Fi routers may cause false triggering. To reduce the amount of false triggering, install the human presence sensor at least 3 meters radius away from the interference source.

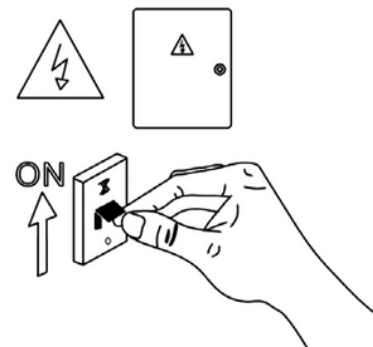
 **CAUTION: PLEASE CUT OFF THE POWER WHEN WIRING.**

### BEFORE INSTALLATION



Turn OFF the Power Supply from the circuit board.

### AFTER INSTALLATION



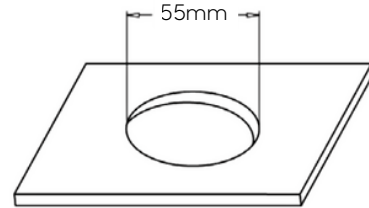
Turn ON the Power Supply

## FLUSH MOUNTING INSTALLATION STEPS

Maximum ceiling thickness is 20mm.

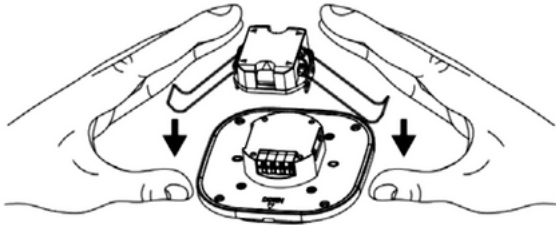


1. Prepare a cut-out on the ceiling or wall surface according to the specified dimensions.



\* 1  
2 3

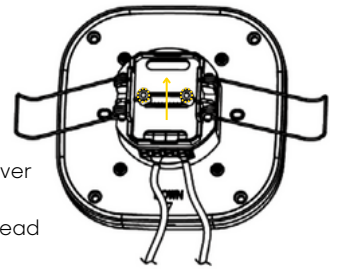
2. Attach the clip-on mount onto the sensor.



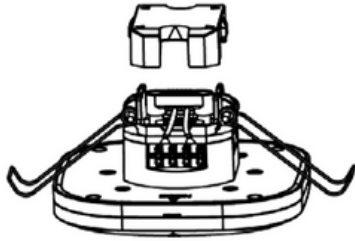
3. Connect the wires using the wiring instructions (Pg.03)

To secure the cables:

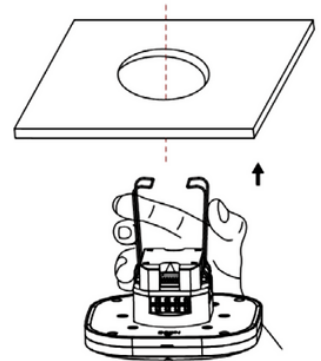
- 3.1 Remove the clip-on mount cover and remove the two screws.
- 3.2 Lift the toothed frame and thread the cables through.
- 3.3 Secure the frame and tighten the screws.



3. Put the clip-on mount cover back on.

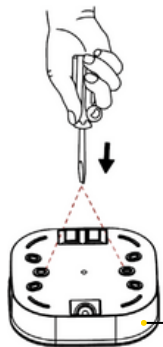


4. Fold back the retention clips and insert into the cut-out.



4 5

## SURFACE MOUNTING INSTALLATION STEPS

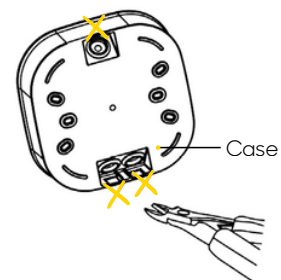


1. Insert a screwdriver into the two indicated holes and apply pressure to pry open the plastic holes.

**\* Ensure the sensor is detached before proceeding as it may sustain damage during this process.**

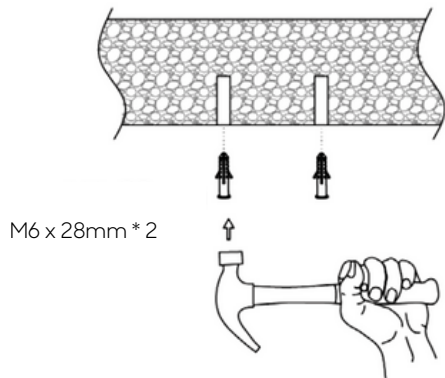
Case

2. Based on your wiring placement requirements, use the pliers to cut open the relevant openings as indicated.

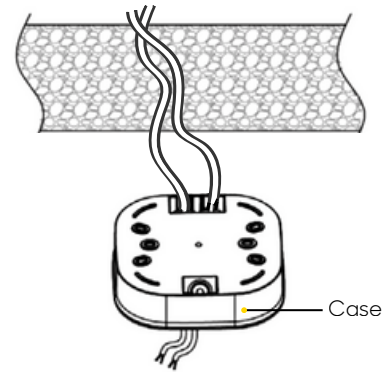


1 2

3. Measure and insert two wall plugs, ensuring they align with the case holes (Step. 1).

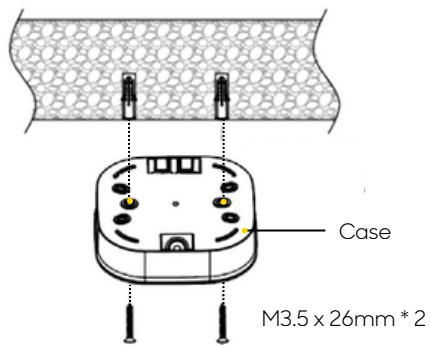


4. Thread the power cable through the openings (Step. 2).

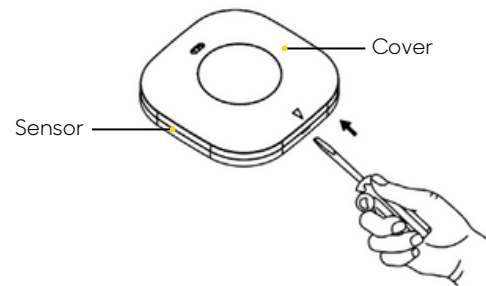


3 4  
5 6

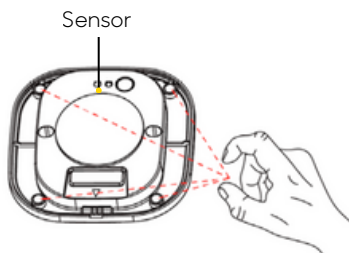
5. Screw and secure the case onto the surface.



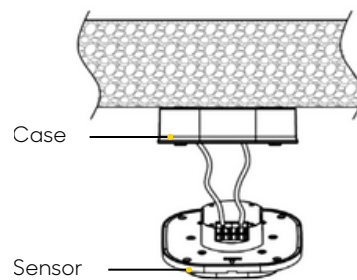
6. Insert a flathead screwdriver into the slot to separate the cover from the sensor.



7. Remove the four waterproof rubber caps and place aside.

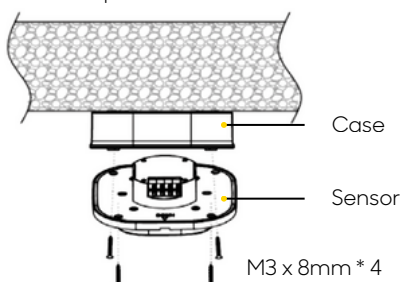


8. Connect the wire from the case to the sensor.

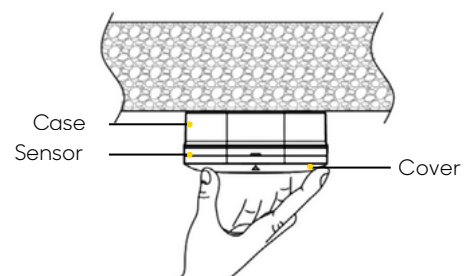


7 8  
9 10

9. Screw the sensor onto the case and put the waterproof rubber caps back.



10. Put the cover back onto the sensor.



## NEXT STEPS

The Konec Human Presence Sensor - 2<sup>nd</sup> Gen Installation Guide has been completed.

For Set Up and Configuration steps, go to the official Konec website for more information. Go to the product page's resource section and refer to:



### USER MANUAL - Konec Human Presence Sensor - 2<sup>nd</sup> Gen

Model Name: KME-T-MSA050S-99-2PZ

SKU: KSE00942



Scan the QR code to download the User Manual and other helpful documents.

## Konec Solutions Pty Ltd

---

Please do not hesitate to contact us if you have any questions.



Konec Official Web

<http://www.konechome.com.au>



Hotline

**1300 2 56632 (1300 2 KONEC)**



Sales & Partnership

[sales@konec.com.au](mailto:sales@konec.com.au)



Customer Support

[support@konec.com.au](mailto:support@konec.com.au)



Address

**L3 5 Talavera Road Macquarie Park NSW 2113**