

KME-T-MSA050S-99-2PZ

Konec.

230VAC, 24Ghz, 55mm Cut out, Recessed/Surface installation, 1 channel AC Output, Micro-movement detection, Adjustable detection sensitivity, Built-in Light Sensor, LED indicator light, Zigbee, White



KONEC HUMAN PRESENCE SENSOR - 2ND GEN

SKU: KME00942

Activate smart home automation with our sensor, designed to detect dynamic, subtle, and static movements. Features flush and surface mounting options for versatile installation.

Scan the QR Code to download Arks by Konec Solutions App



FEATURES



MOTION MONITORING

Constant movement detection when there is a moving person within its detection range.



STATIC DETECTION

The sensor can detect if a person is stationary or sitting. This means you do not need constant movement for the sensor to detect your presence.



SENSITIVITY

The sensor's detection sensitivity can be adjusted on the app to suit your preferences. This can also adjust the detection distance for standing and sitting situations.



SCENE CONTROL

Motion detection status can trigger other smart devices to achieve automated operations, enhancing safety and convenience.



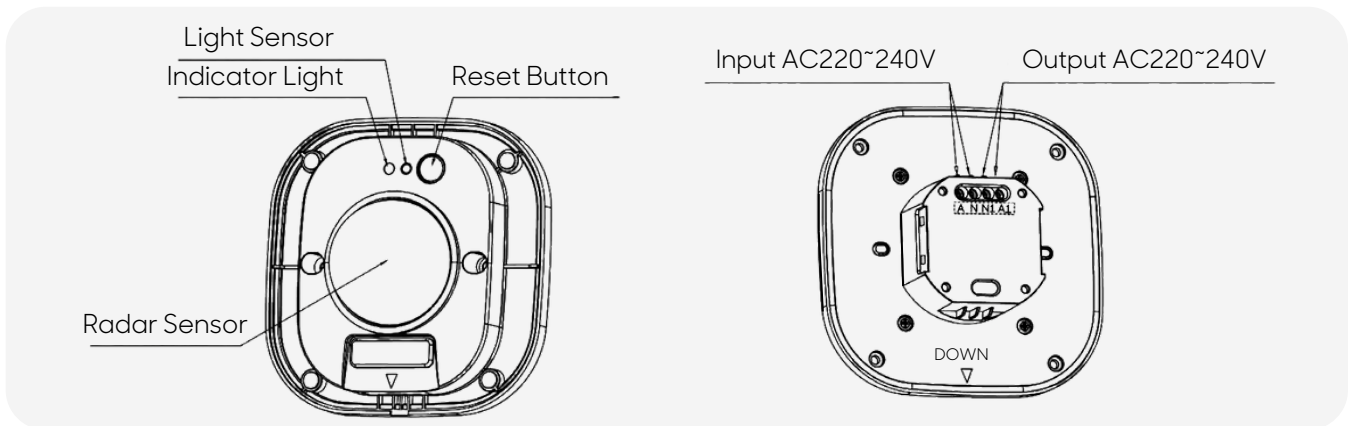
DELAYED RESPONSE TIMER

Set and adjust the detection reporting time on the app to allow a delayed timeframe to smoothly action your desired automated scene.

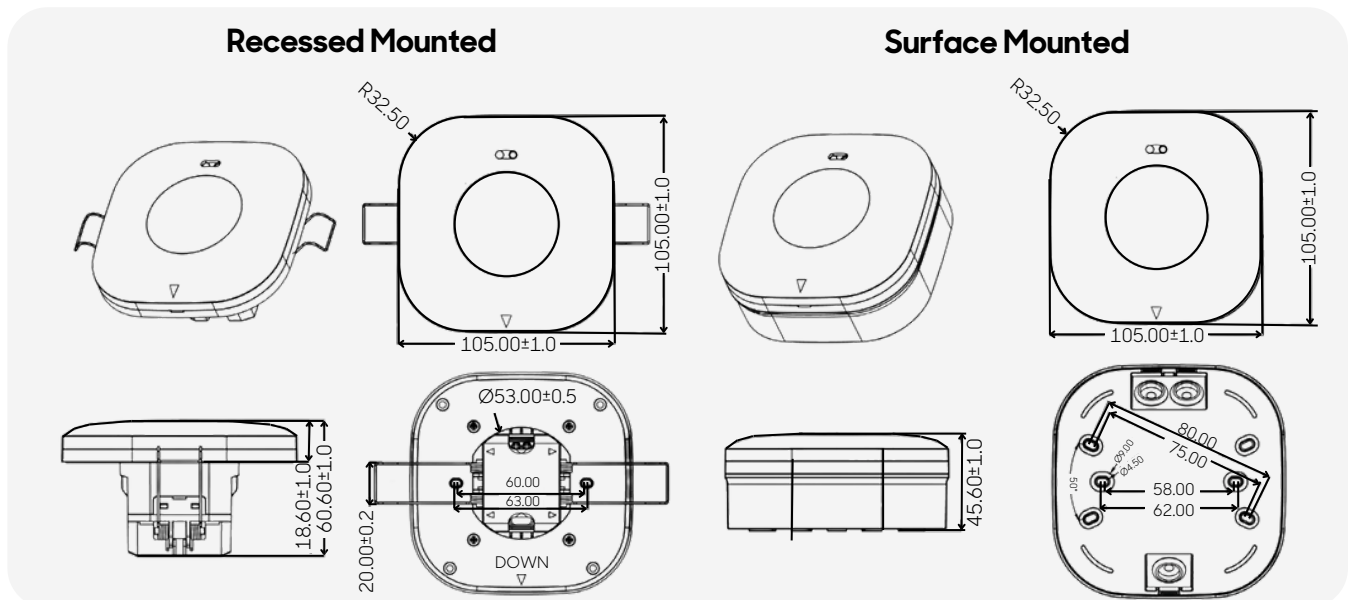
SPECIFICATIONS

Input Voltage	AC220V - 240V, 50/60Hz	
Connection Type	Zigbee	
Operating Environment	Temperature: -25°C ~50°C Humidity: ≤90%RH (Non-Condensing)	
Radar Frequency	24 - 24.25GHz	
Mounting Height	2 - 4m Recommended Height: 3m	
Detection Angle	Approx. 100°	
Cutout	Ø55mm (Flush Mounting Installation)	
Dimension	105 x 105 x 60.6mm (Flush Mounting) 105 x 105 x 45.6mm (Surface Mounting)	
IP Rating	IP20 (Flush Mounting) IP54 (Surface Mounting)	
Colour	White	
Net Weight	200g	
Gross Weight	300g	
Sensor Parameter	Detection Area	0-4m Radius (Adjustable via App)
	Hold Time	3-7200s
	Detection Range	Dynamic/ Subtle/ Static Movement: 3.5±0.5m Radius (Based 3m height installation in a 41m ² open area).
	Scope of Light Detection	0-1200lux

PRODUCT FUNCTION DIAGRAM



DIMENSIONS



Disclaimer

This document provides technical specifications for the Konec Human Presence Sensor and is intended for reference only. Product specifications, features, and visuals may change without prior notice. For the most current product specifications, visit www.konechome.com.au. Konec Solutions Pty Ltd makes no guarantees regarding the completeness, accuracy, or currentness of this document. Users are responsible for verifying compatibility, suitability, and compliance with local regulations before purchase, installation, or use. To the extent permitted by law, Konec Solutions disclaims any liability for direct, indirect, incidental, or consequential damages resulting from reliance on this document.

Nothing in this disclaimer limits or excludes your rights under the Australian Consumer Law or the New Zealand Consumer Guarantees Act 1993.

Konec Solutions Pty Ltd.
<https://www.konechome.com.au/>
 1300 2 56632 (1300 2 KONEC)
info@konec.com.au