

KLL-EH-OS-M29-ANZL

SKU: KIC00051





KONEC M29 OUTDOOR STATION

INSTALLATION GUIDE

Scan the QR
Code to
download
Arks by Konec
Solutions App




Disclaimer	Installation Safety Warnings
<ul style="list-style-type: none"> This guide is intended to assist qualified professionals with the correct installation of the Konec M29 Outdoor Station. Please follow all instructions carefully and ensure compliance with AS/NZS 3000 and local regulations. Improper installation or modification may void the warranty and result in safety risks. This guide is for reference only. Product details may change without notice. To the extent allowed by law, Konec Solutions is not liable for any damage, injury, or loss resulting from the use of this guide or the installation process. This disclaimer does not affect your rights under the Australian Consumer Law or the New Zealand Consumer Guarantees Act 1993. 	<p>To ensure a safe and compliant installation, please follow these precautions:</p> <ul style="list-style-type: none"> This product is designed for professional installation. Disconnect power before starting installation or maintenance. Installation must comply with AS/NZS 3000 and all relevant local electrical and building regulations. Do not exceed the product's rated electrical capacity. Avoid using power tools unless explicitly specified. Do not install in areas exposed to water or high humidity unless rated for such conditions. Use appropriate personal protective equipment (e.g., gloves, safety glasses).

WHAT'S INCLUDED

M29 OUTDOOR STATION



PoE POWER SUPPLY



EMBEDDED BOX



USER MANUAL



ACCESSORIES BAG



- 2 Pin Wire Connector * 2
- 3 Pin Wire Connector * 1
- 8 Pin Wire Connector * 1
- M3 x 7mm * 4
- Waterproof Ring * 4
- Hex Key * 1

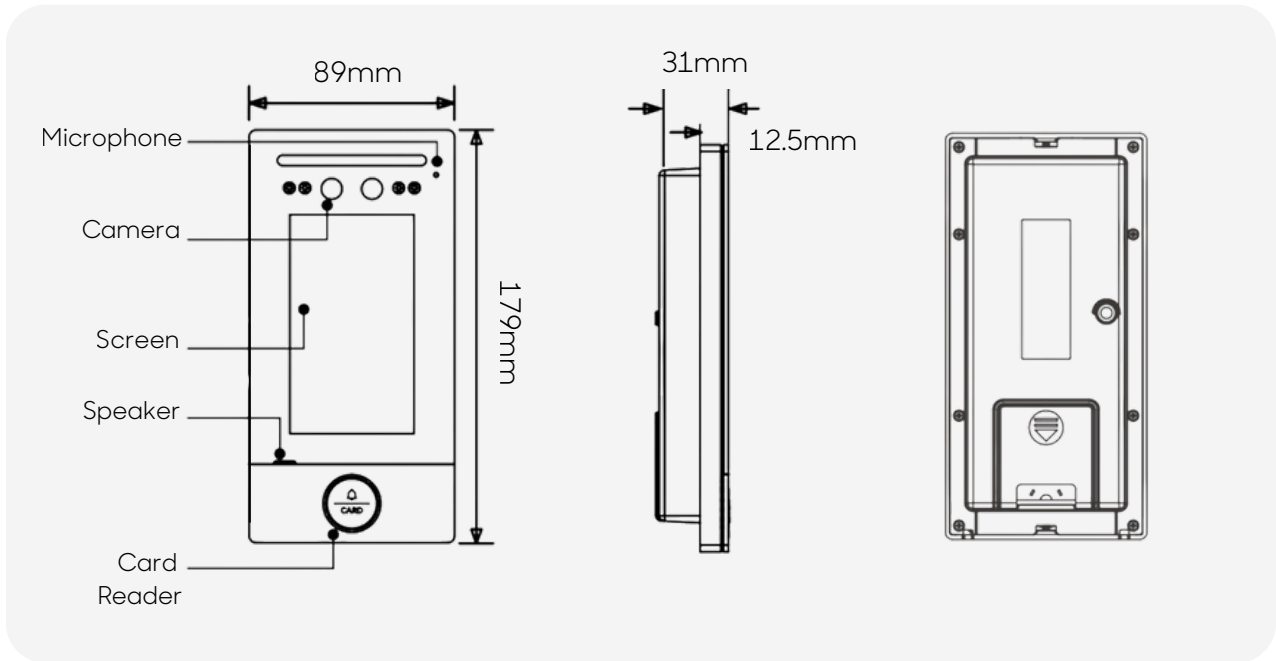
Disclaimer: Currently, the 2 Pin and 8 Pin wire connectors are not required.

OPTIONAL ADD-ON: SURFACE MOUNTED RAIN COVER

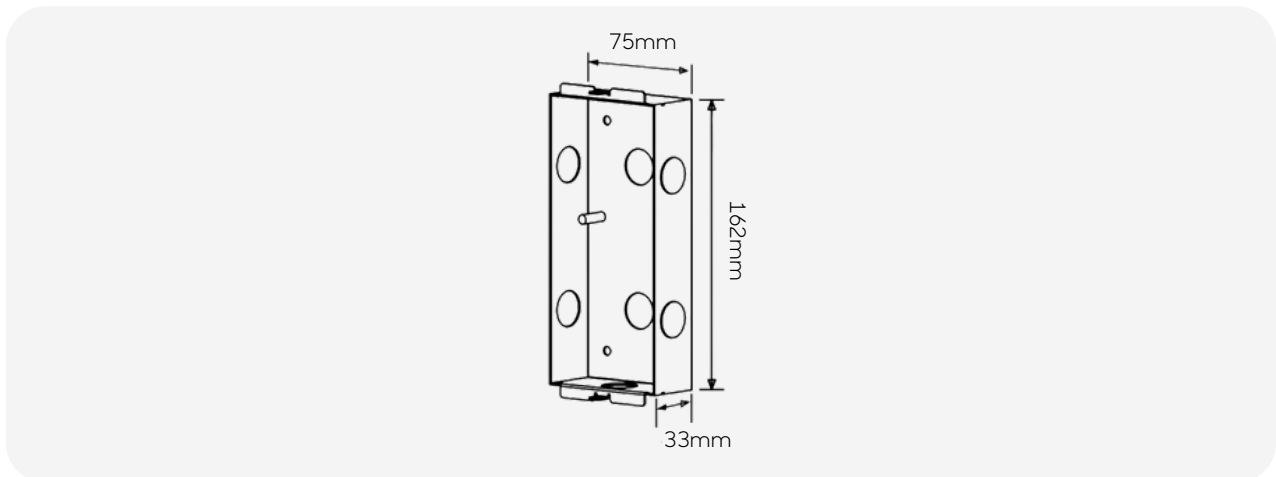


Disclaimer: The Surface-Mounted Rain Cover accessory is sold separately.

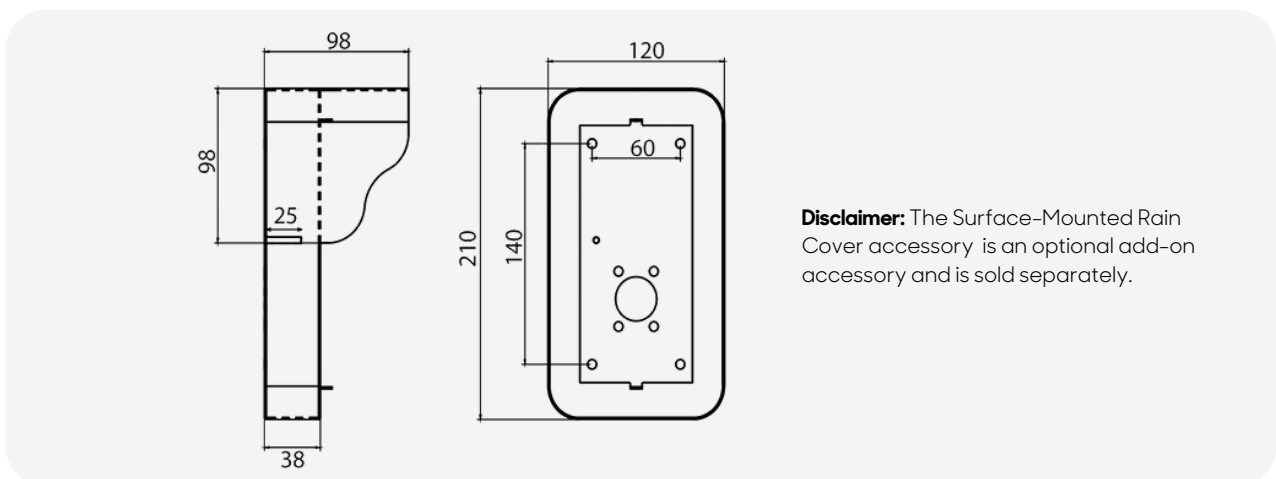
OUTDOOR STATION DIMENSIONS



EMBEDDED BOX DIMENSIONS



SURFACE MOUNTED RAIN COVER DIMENSIONS



PRECAUTION

* DISCLAIMER

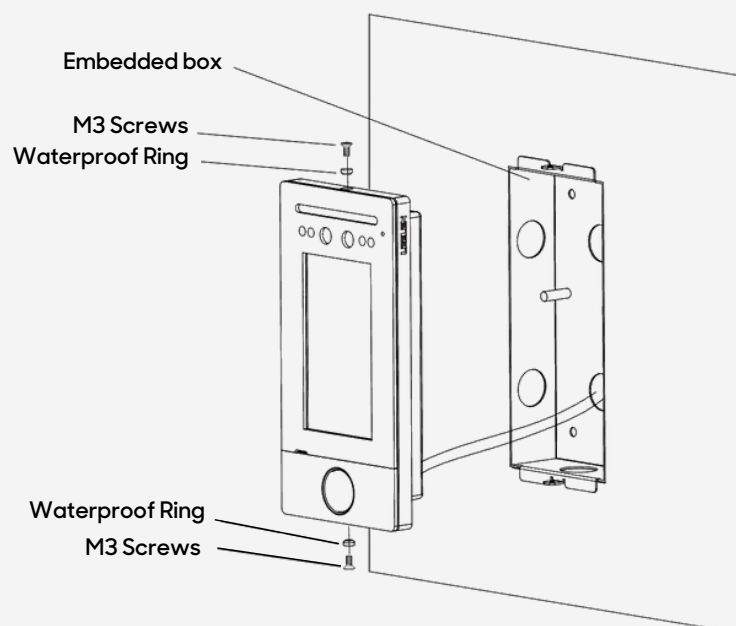
- The total power of the connected electrical equipment shall not exceed the rated power.
- Risk of danger due to poor front-end grounding or non-standard grounding.
- The product should only be opened, installed, maintained and repaired by eligible professionals.
- Do not burn, keep the product away from heat at all times.



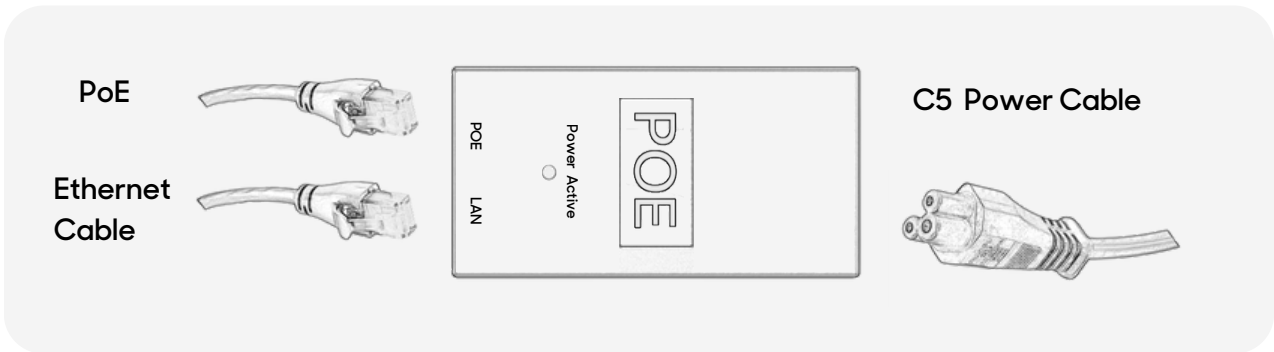
1. Before installation, read the instructions and ensure you have all the necessary tools and accessories for proper completion.
2. Always ensure the power is OFF before performing maintenance, cleaning, replacement, or adjustments.
3. Ensure power leads and screws are secure to prevent injury or damage before connecting to the power.

INSTALLATION

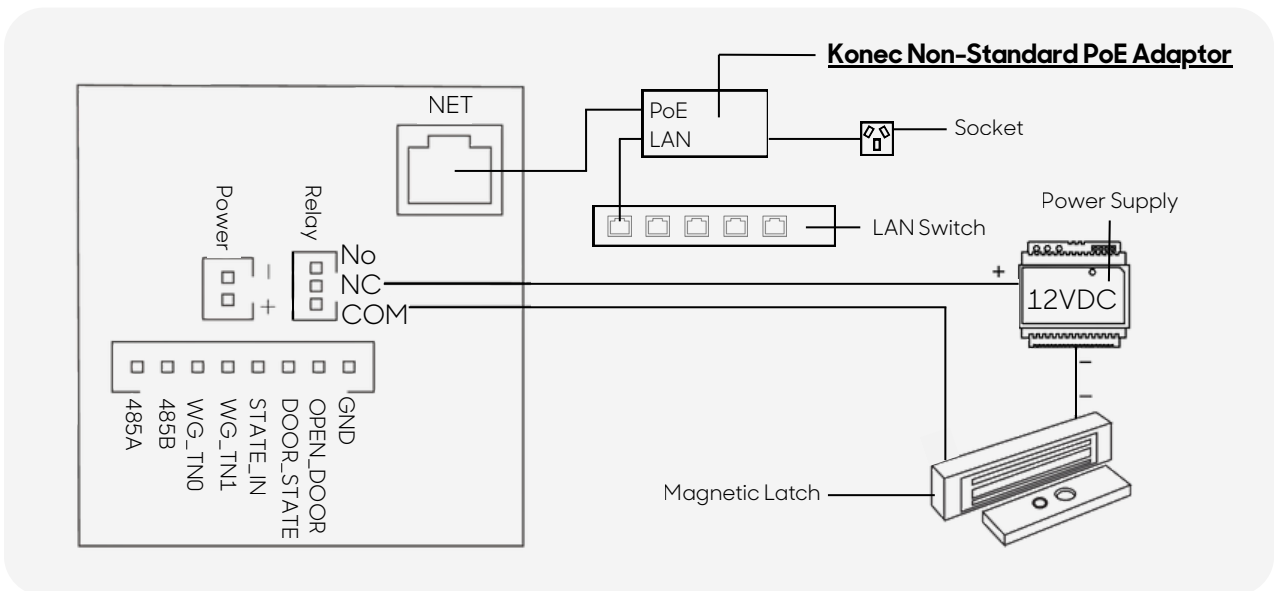
1. Create an opening large enough to fit the embedded box (75 x 161 x 33mm).
2. Insert the embedded box in the hole and secure it onto the wall. Ensure that the embedded box is securely fitted.
3. Route the PoE cable to the adapter location and connect to M29.
4. Mount the M29 outdoor station device onto the embedded box using the waterproof ring and M3 screws.



1. Connect the C5 Power cable to Power Socket.
2. Connect the LAN cable to the Network Switch.
3. Connect the PoE Cable to the M29 outdoor station.



WIRING DIAGRAM FOR ELECTRIC STRIKE SET UP



Input Voltage Requirement: AC100V - 240V, 50/60Hz

The Electric Strike set-up requires the 3 PIN Relay and NET ports.

Currently, the 2 PIN, 8 PIN Wires and ports are not in use.

Name	Port	Description
Relay	NO/NC/COM	Relay port connect to the magnetic latch
PoE Port	NET	Connect to the Ethernet and power supply

NEXT STEPS

The Konec M29 Outdoor Station Installation Guide has been completed.

For Set Up and Configuration steps, go to the official Konec website for more information. Go to the product page's resource section and refer to:



USER MANUAL - Konec M29 Outdoor Station

Model Name: KLL-EH-OS-M29-ANZL

SKU: KIC00051



Scan the QR code to download the User Manual and other helpful documents.

Konec Solutions Pty Ltd

Please do not hesitate to contact us if you have any questions.



Konec Official Web

<http://www.konechome.com.au>



Hotline

1300 2 56632 (1300 2 KONEC)



Sales & Partnership

sales@konec.com.au



Customer Support

support@konec.com.au



Address

L3 5 Talavera Road Macquarie Park NSW 2113