


KONEC SMART LOCK H15B BT BLACK (FIRE-RATED)



SKU: KSL00221, KSL00222, KSL00239, KSL00241

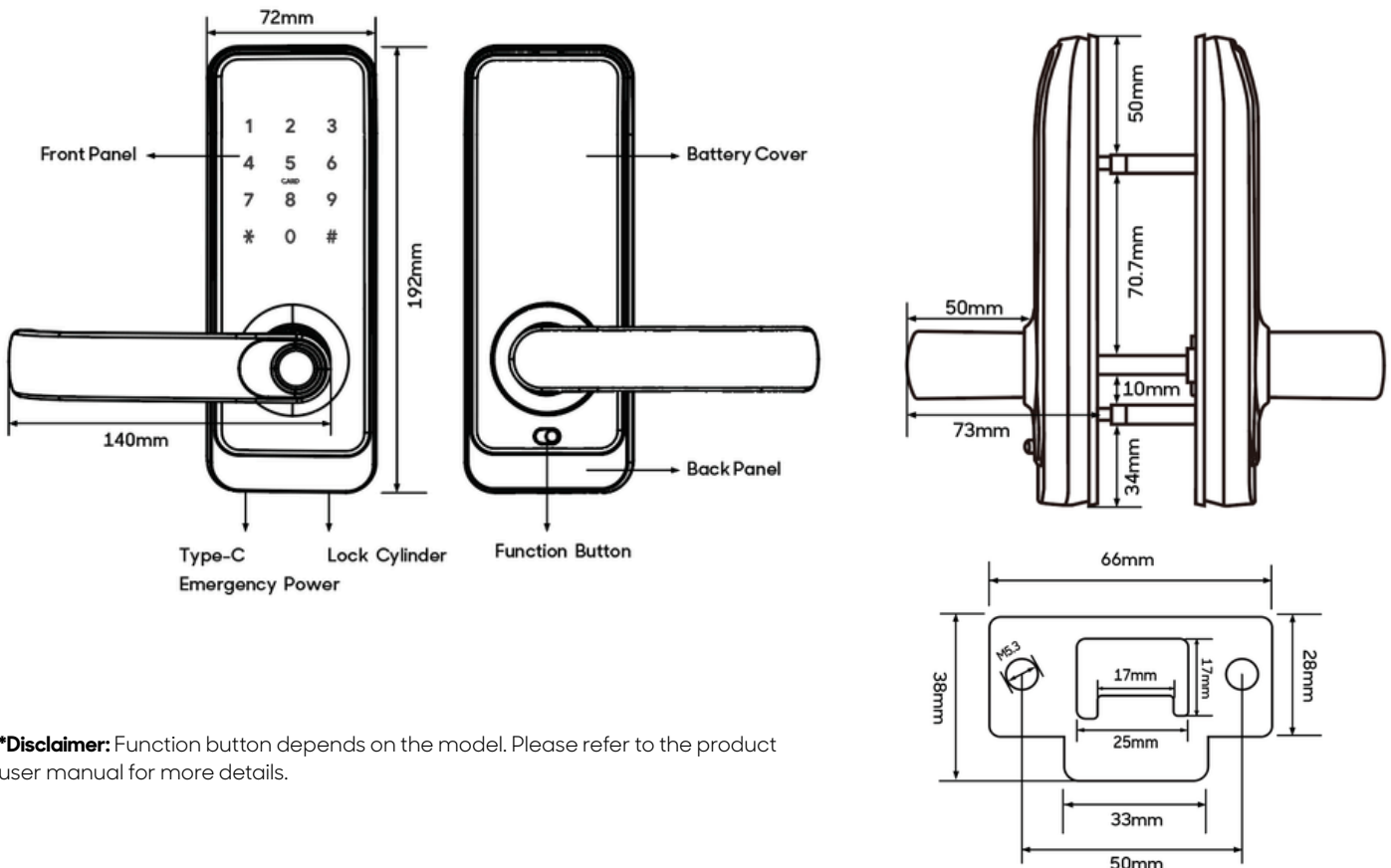
KONEC SMART LOCK H15B BT BLACK (FIRE RATING)

INSTALLATION GUIDE

This installation guide apply for all of the Konec Smart Lock H15B BT Black (Fire Rating) version.

Disclaimer	Installation Safety Warnings
<ul style="list-style-type: none"> This guide is intended to assist qualified professionals with the correct installation of the Konec Smart Lock H15B BT Black (Fire Rating). Please follow all instructions carefully and ensure compliance with AS/NZS 3000 and local regulations. Improper installation or modification may void the warranty and result in safety risks. This guide is for reference only. Product details may change without notice. To the extent allowed by law, Konec Solutions is not liable for any damage, injury, or loss resulting from the use of this guide or the installation process. This disclaimer does not affect your rights under the Australian Consumer Law or the New Zealand Consumer Guarantees Act 1993. 	<p>To ensure a safe and compliant installation, please follow these precautions:</p> <ul style="list-style-type: none"> This product is designed for professional installation. Installation must comply with AS/NZS 3000 and all relevant local electrical and building regulations. Do not exceed the product's rated electrical capacity. Avoid using power tools unless explicitly specified. Do not install in areas exposed to water or high humidity unless rated for such conditions. Use appropriate personal protective equipment (e.g., gloves, safety glasses).

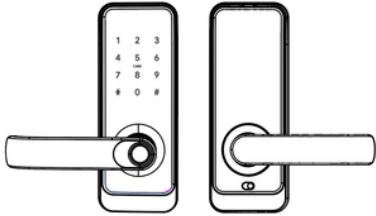
DIMENSIONS



***Disclaimer:** Function button depends on the model. Please refer to the product user manual for more details.

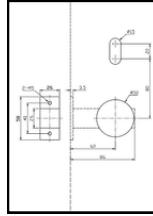
WHAT'S INCLUDED

Confirm all items are included in the box.

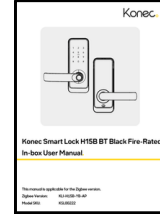


FRONT & BACK PANEL * 1

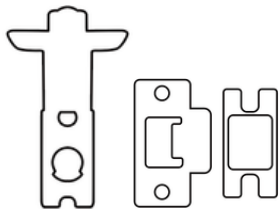
(Rubber plates included)



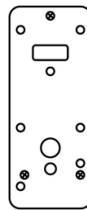
DRILLING TEMPLATE * 1



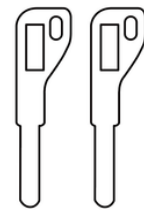
**IN-BOX
USER MANUAL * 1**



LATCH & STRIKE PLATE * 1



BACK GASKET * 1



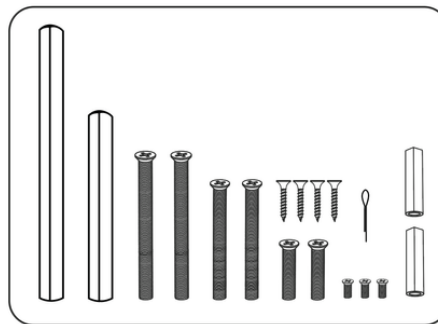
**MECHANICAL
KEY * 2**



ACCESS FOB * 3

*Image design may vary.

ACCESSORIES BAG



Square Shaft * 2
Screw Casing M5 x 35mm * 2

U-Clip * 1

M3 x 10mm * 3

M4 x 20mm * 4

M5 x 25mm * 2

M5 x 35mm * 2

M5 x 45mm * 2



Before installing the product, please carefully read the installation guide.

The U-clip must be fixed onto the shaft and the front panel.

Failure to fix the U-clip will affect the lock function and **void the warranty.**

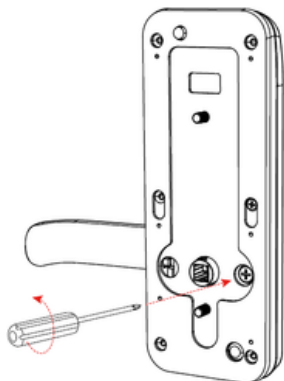
Pre-Installation

1.1 Adjust Handle Placement

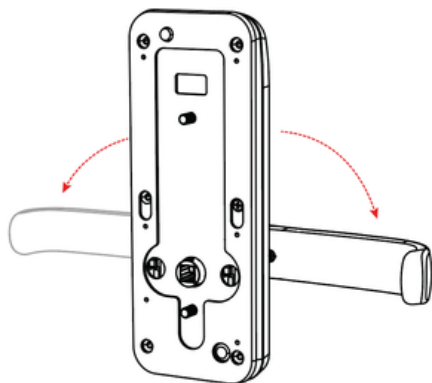
Follow these steps to match the desired door orientation.
(e.g., left-hand or right-hand configuration).

Front Panel:

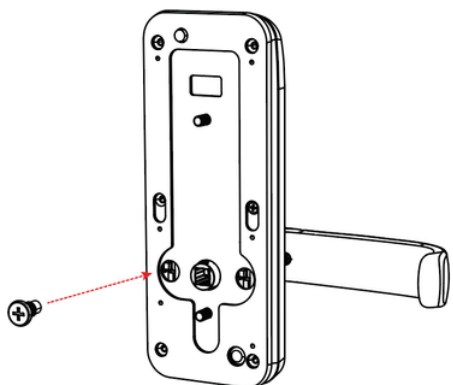
- 1 Loosen the screw (Sticker indicated).



- 2 Rotate the handle left or right, depending on your desired orientation.

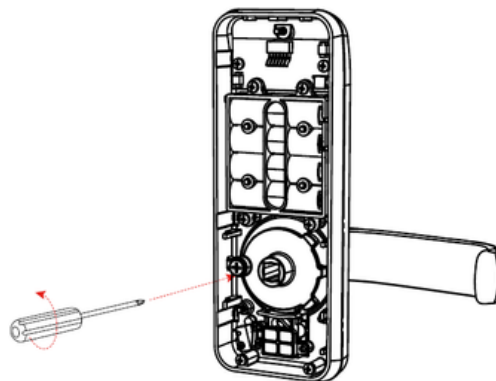


- 3 Place and tighten the screw into the hole furthest from the handle.

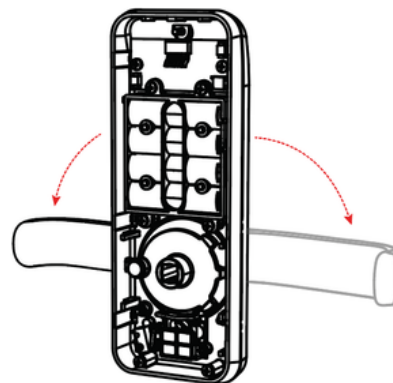


Back Panel:

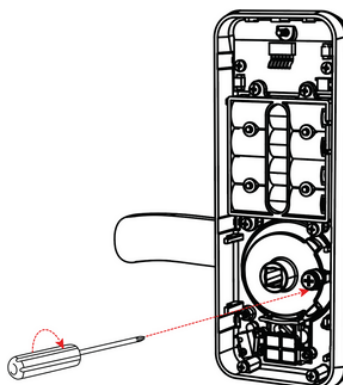
- 1 Lift the back plate and loosen the screw.



- 2 Rotate the handle left or right to achieve the desired orientation.



- 3 Place and tighten the screw into the hole furthest from the handle.



1.2 Prepare the door

The requirement thickness of the door is 35 – 65mm.
 Refer to the drilling template (included in the box) and drill the door accordingly.
 Ensure the lock body and latch are properly aligned.



The included drilling template is **ONLY** for the **60mm backset setup**.
 If you wish to use the 70mm backset, please adjust the measurements accordingly.

Installation

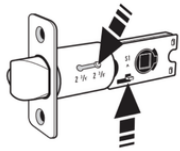
1

- 1.1 Adjust the Latch – 60mm (default) or 70mm.
- 1.2 Screw the Latch onto the door (M5 x 25mm).

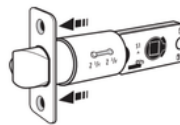
1.1 Adjust the Latch:



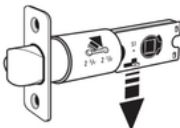
If you have a pre-existing 70mm backset, you cannot use the 60mm latch. Please adjust the latch.



1. Locate the tab and push down.



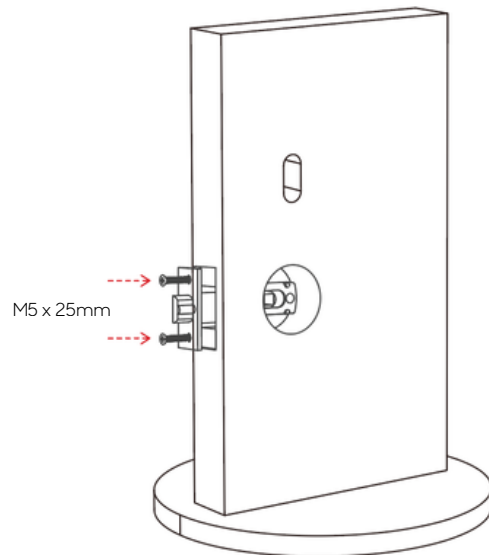
2. Push the tab up and hold.



3. Extend and pull until it clicks.

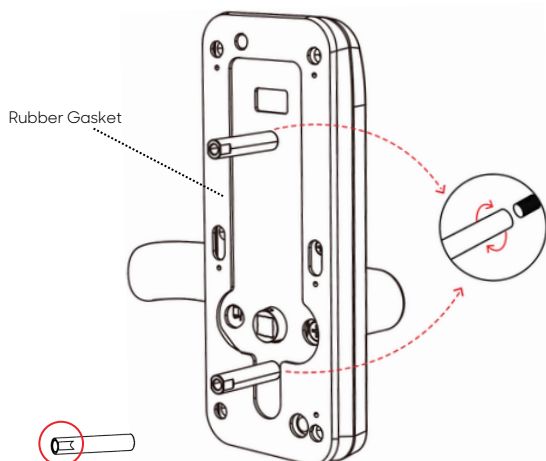
4. Release and move the tab down.

1.2 Install the Latch:



2

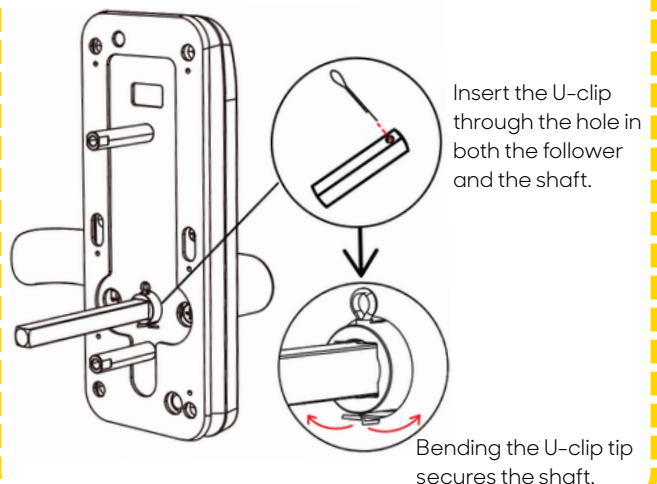
- 2.1 Connect the rubber gasket to the front panel.
- 2.2 Screw and tighten the screw casing * 2 (M5 x 30mm).



Note: The marked end should **face away** from the front panel.

IMPORTANT

- 2.3 Insert the Square Shaft.
- 2.4 **Insert the U-clip and bend the ends to fix the shaft.**
Incorrect installation will void the warranty.



Insert the U-clip through the hole in both the follower and the shaft.

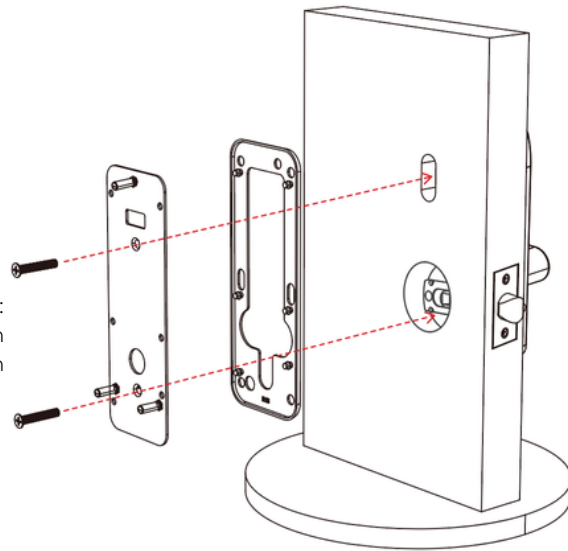
Bending the U-clip tip secures the shaft.

3

Install the rubber gasket back plate.
Use the screw to connect with the screw casing.

Note: Screw size is dependent on the square shaft.

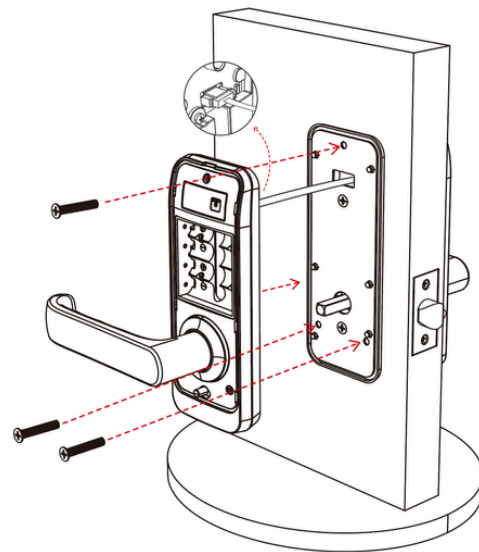
Square Shaft Screw:
60mm = M5 x 35mm
80mm = M5 x 45mm



4

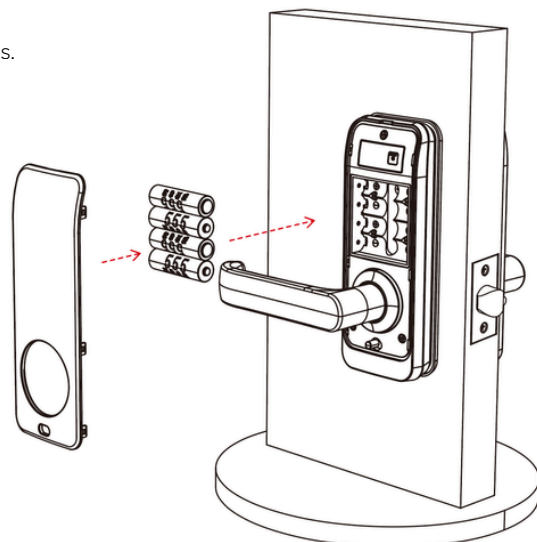
4.1 Connect the wire from the front panel to the back panel.
4.2 Screw the back panel onto the back plate.

M3 x 10mm



5

5.1 Insert AA batteries * 4 and close the back cover.
5.2 Install the Strike and Strike box with M4 x 20mm screws.



NEXT STEPS

The Konec Smart Lock H15B BT Black (Fire-Rated) Installation Guide has been completed. For Set Up and Configuration steps, go to the official Konec website for more information. Go to the product page's resource section and refer to:



USER MANUAL - KSL00222
SKU: KSL00222
For Standard NDIS Version.



USER MANUAL - KSL00221
SKU: KSL00221
For Bluetooth Version.

Note: If you cannot find the suitable H15B User manual on the website, please contact the Konec Solutions Representative for further information.



Note: Be sure to consult the appropriate user manual, as various versions may differ in their configuration, setup, and functionality. The latest version of the document will be available on the official Konec Solutions website.

Konec Solutions Pty Ltd

Please do not hesitate to contact us if you have any questions.



Konec Official Web

<http://www.konechome.com.au>



Hotline

1300 2 56632 (1300 2 KONEC)



Sales & Partnership

sales@konec.com.au



Customer Support

support@konec.com.au



Address

L3 5 Talavera Road Macquarie Park NSW 2113