

KONEC SMART SWITCH K118 FLOATING BUTTON

INSTALLATION GUIDE

Scan the QR Code to download Arks by Konec Solutions App



This installation guide apply for all of the Konec Smart Switch K118 Floating Button version

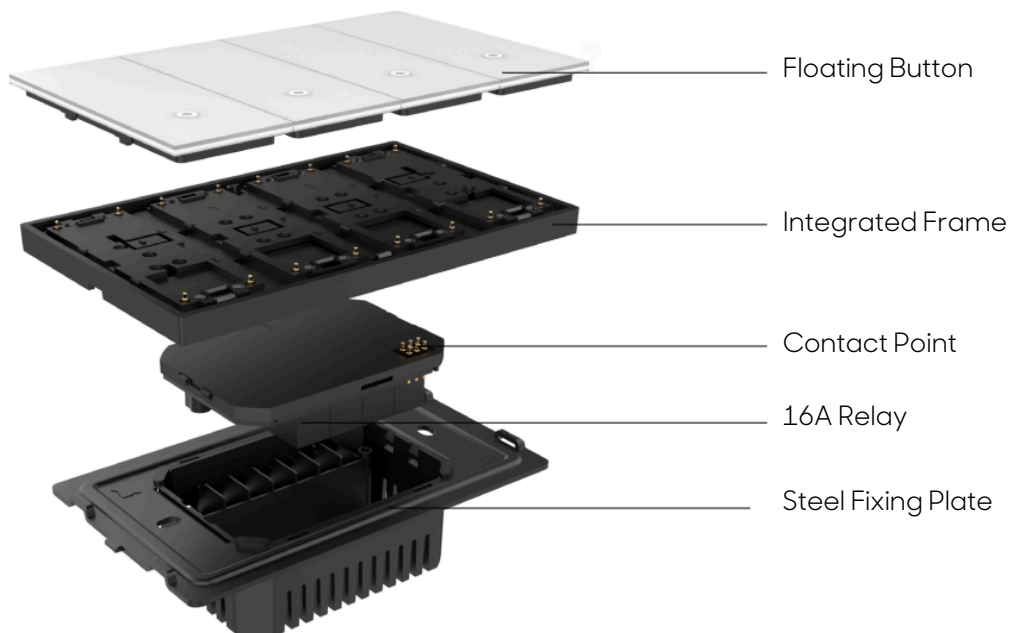
Disclaimer	Installation Safety Warnings
<ul style="list-style-type: none"> This guide is intended to assist qualified professionals with the correct installation of the Konec Smart Switch K118 Floating Button. Please follow all instructions carefully and ensure compliance with AS/NZS 3000 and local regulations. Improper installation or modification may void the warranty and result in safety risks. This guide is for reference only. Product details may change without notice. To the extent allowed by law, Konec Solutions is not liable for any damage, injury, or loss resulting from the use of this guide or the installation process. This disclaimer does not affect your rights under the Australian Consumer Law or the New Zealand Consumer Guarantees Act 1993. 	<p>To ensure a safe and compliant installation, please follow these precautions:</p> <ul style="list-style-type: none"> This product is designed for professional installation. Disconnect power before starting installation or maintenance. Installation must comply with AS/NZS 3000 and all relevant local electrical and building regulations. Do not exceed the product's rated electrical capacity. Avoid using power tools unless explicitly specified. Do not install in areas exposed to water or high humidity unless rated for such conditions. Use appropriate personal protective equipment (e.g., gloves, safety glasses).

For Set Up and Configuration Steps: Refer to the **Konec Smart Switch K118 Floating Button User Manual**.

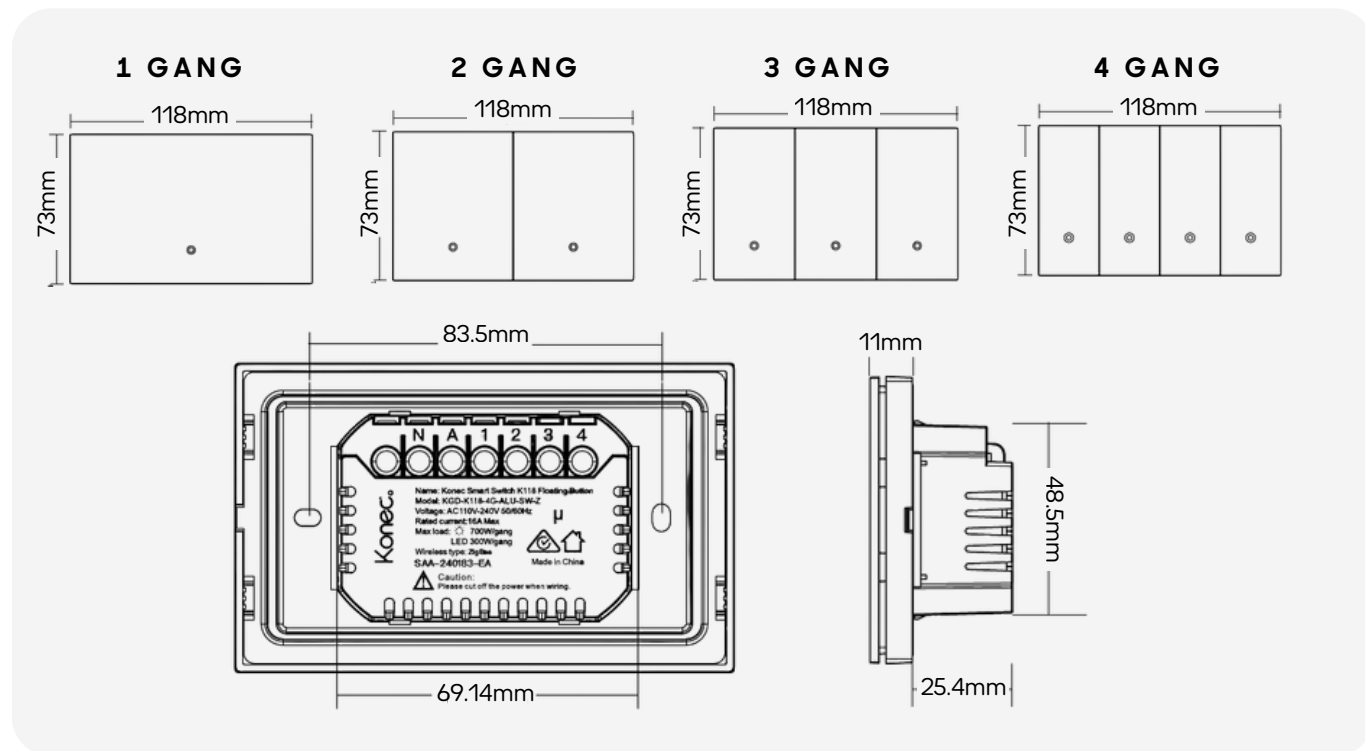
PRODUCT MODEL

	1 Gang	2 Gang	3 Gang	4 Gang
Plastic Black	KGD-K118-1G-PC-BL-Z SKU: KSS00309	KGD-K118-2G-PC-BL-Z SKU: KSS00318	KGD-K118-3G-PC-BL-Z SKU: KSS00327	KGD-K118-4G-PC-BL-Z SKU: KSS00336
Glass White	KGD-K118-1G-GLA-WH-Z SKU: KSS00301	KGD-K118-2G-GLA-WH-Z SKU: KSS00310	KGD-K118-3G-GLA-WH-Z SKU: KSS00319	KGD-K118-4G-GLA-WH-Z SKU: KSS00328
Glass Black	KGD-K118-1G-GLA-BL-Z SKU: KSS00343	KGD-K118-2G-GLA-BL-Z SKU: KSS00344	KGD-K118-3G-GLA-BL-Z SKU: KSS00345	KGD-K118-3G-GLA-BL-Z SKU: KSS00346
Brushed Metal (Various Colours)	KGD-K118-1G-ALU-BL-Z SKU: KSS00306	KGD-K118-2G-ALU-BL-Z SKU: KSS00315	KGD-K118-3G-ALU-BL-Z SKU: KSS00324	KGD-K118-4G-ALU-BL-Z SKU: KSS00333
	KGD-K118-1G-ALU-GO-Z SKU: KSS00303	KGD-K118-2G-ALU-GO-Z SKU: KSS00312	KGD-K118-3G-ALU-GO-Z SKU: KSS00321	KGD-K118-4G-ALU-GO-Z SKU: KSS00330
	KGD-K118-1G-ALU-RE-Z SKU: KSS00302	KGD-K118-2G-ALU-RE-Z SKU: KSS00311	KGD-K118-3G-ALU-RE-Z SKU: KSS00320	KGD-K118-4G-ALU-RE-Z SKU: KSS00329
	KGD-K118-1G-ALU-SW-Z SKU: KSS00304	KGD-K118-2G-ALU-SW-Z SKU: KSS00313	KGD-K118-3G-ALU-SW-Z SKU: KSS00322	KGD-K118-4G-ALU-SW-Z SKU: KSS00331
	KGD-K118-1G-ALU-DG-Z SKU: KSS00305	KGD-K118-2G-ALU-DG-Z SKU: KSS00314	KGD-K118-3G-ALU-DG-Z SKU: KSS00323	KGD-K118-4G-ALU-DG-Z SKU: KSS00332
	KGD-K118-1G-ALU-OR-Z SKU: KSS00307	KGD-K118-2G-ALU-OR-Z SKU: KSS00316	KGD-K118-3G-ALU-OR-Z SKU: KSS00325	KGD-K118-4G-ALU-OR-Z SKU: KSS00334
	KGD-K118-1G-ALU-RG-Z SKU: KSS00308	KGD-K118-2G-ALU-RG-Z SKU: KSS00317	KGD-K118-3G-ALU-RG-Z SKU: KSS00326	KGD-K118-4G-ALU-RG-Z SKU: KSS00335

EXPLODED VIEW



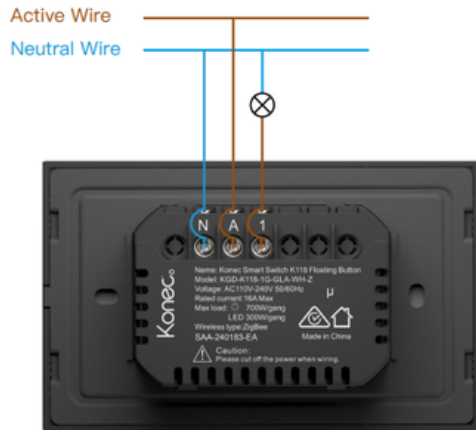
DIMENSIONS



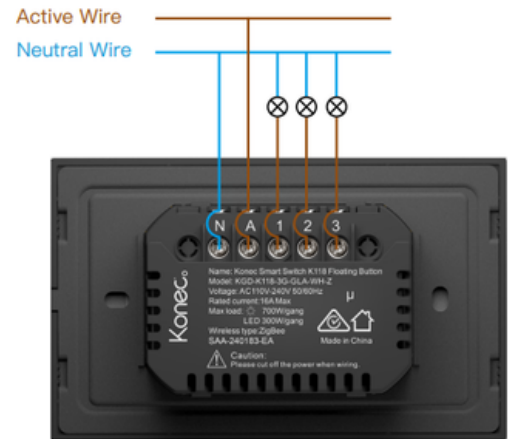
WIRING DIAGRAM

Input Voltage Requirement: AC110V - 240V, 50/60Hz

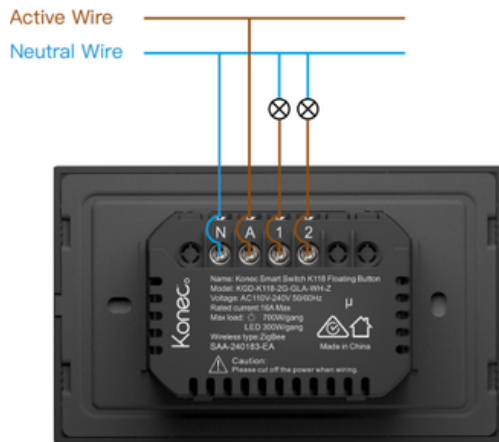
1 GANG WIRING



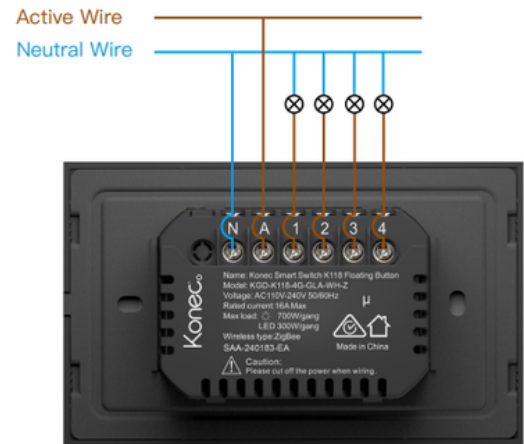
3 GANG WIRING



2 GANG WIRING



4 GANG WIRING



WHAT'S INCLUDED

SMART SWITCH * 1



Note: This image is for reference. Colour and finish will vary based on what was ordered.

SCREWS * 2

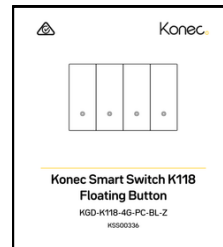


M3.5 x 35mm

PAINTING PROTECTION COVER * 1



INBOX GUIDE * 1

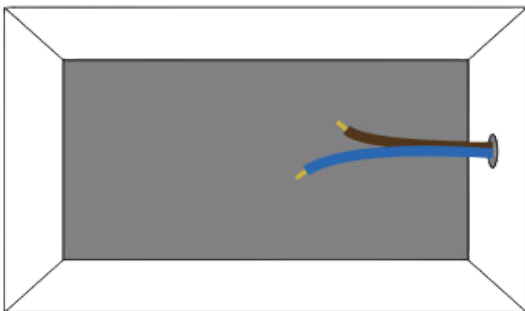


WIRING DIAGRAM



Note: Before installing, ensure the wiring, cut-out & clearance is meeting the requirements.

Active Wire & Neutral Wire Required

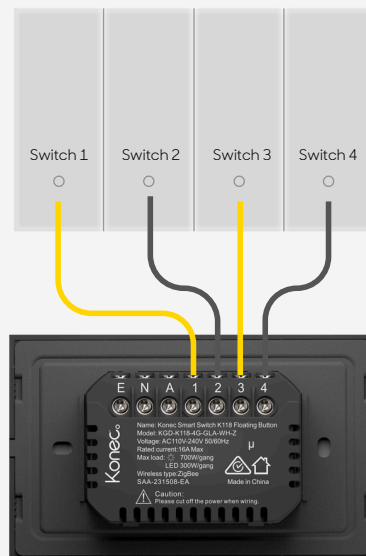


Active Wire



Neutral Wire

Wiring Alignment for Gangs



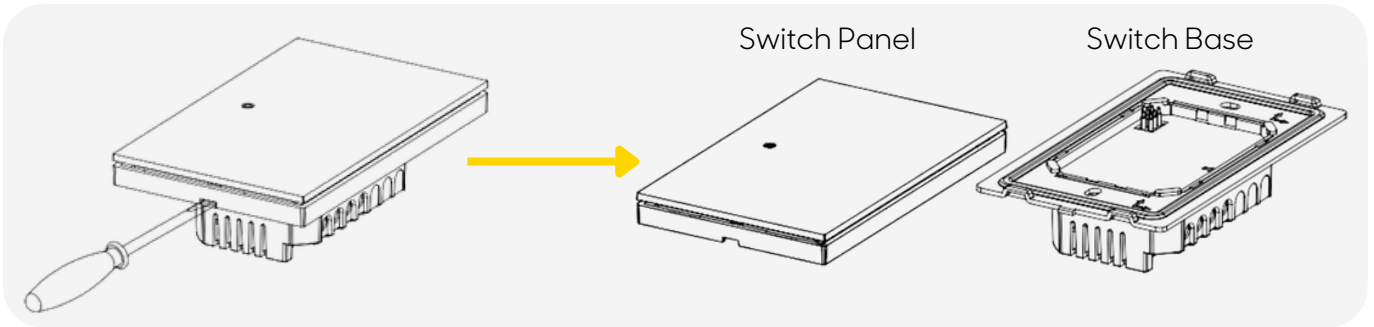
CAUTION: PLEASE CUT OFF THE POWER WHEN WIRING.

INSTALLATION



DO NOT USE POWER DRILLING TOOLS. THIS CAN BEND AND DAMAGE THE DEVICE.

1. If the cover plate and back plate are connected, use a screw driver to separate the panel and the base.



2. Insert the switch base into the wall cavity, ensure that it fits securely with enough space in the cavity to fit the wires.

3. Prepare and connect the Wiring (Refer to the Wiring Diagram according the gang).

3.1 **Active Wire** connects to "A" terminal.

3.2 **Neutral Wire** connects to "N" terminal.

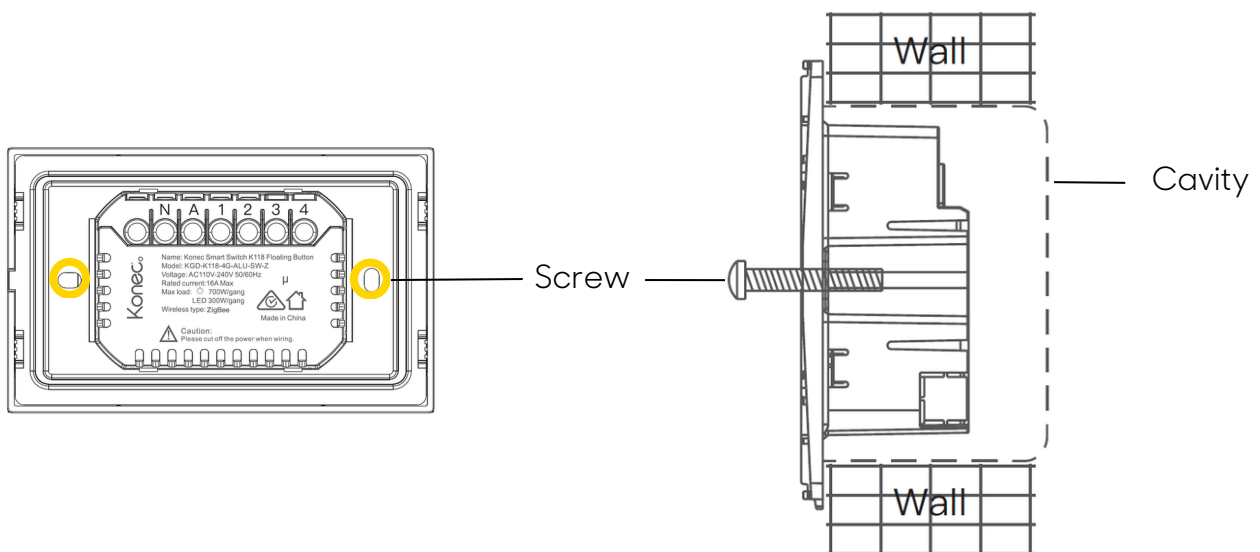
3.3 **Load Wire** connects to "1, 2, 3, 4" terminal (depending on the gang).

4. Fix the switch panel onto the wall.

4.1 Move excess wiring into cavity space.

4.2 Screw the switch plate onto the wall.

4.3 Snap the switch panel onto the mounting panel.



NEXT STEPS

The Konec Smart Switch K118 Floating Button Installation Guide has been completed.

For Set Up and Configuration steps, go to the official Konec website for more information. Go to the product page's resource section and refer to:



USER MANUAL - K118 Floating Button Series (with Neutral)

For all Konec Smart Switch K118 Floating Button Series (With Neutral)



Note: Be sure to consult the appropriate user manual, as various versions may differ in their configuration, setup, and functionality. The latest version of the document will be available on the official Konec Solutions website.

Konec Solutions Pty Ltd

Please do not hesitate to contact us if you have any questions.



Konec Official Web

<http://www.konechome.com.au>



Hotline

1300 2 56632 (1300 2 KONEC)



Sales & Partnership

sales@konec.com.au



Customer Support

support@konec.com.au



Address

L3 5 Talavera Road Macquarie Park NSW 2113