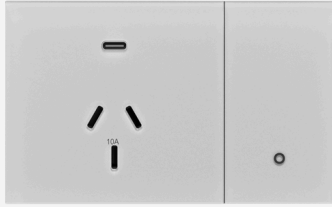


# KONEC SMART OUTLET WITH ENERGY MONITORING

SKU: KSS00523, KSS00524, KSS00525



## KONEC SMART OUTLET WITH ENERGY MONITORING

### INSTALLATION GUIDE



Scan the QR Code to download Arks by Konec Solutions App



This installation guide apply for all of the Konec Smart Outlet with Energy Monitoring version

#### Disclaimer

- This guide is intended to assist qualified professionals with the correct installation of the Konec Smart Outlet with Energy Monitoring.
- Please follow all instructions carefully and ensure compliance with AS/NZS 3000 and local regulations. Improper installation or modification may void the warranty and result in safety risks.
- This guide is for reference only. Product details may change without notice.
- To the extent allowed by law, Konec Solutions is not liable for any damage, injury, or loss resulting from the use of this guide or the installation process.
- This disclaimer does not affect your rights under the Australian Consumer Law or the New Zealand Consumer Guarantees Act 1993.

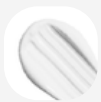
#### Installation Safety Warnings

To ensure a safe and compliant installation, please follow these precautions:

- This product is designed for professional installation.
- Disconnect power before starting installation or maintenance.
- Installation must comply with AS/NZS 3000 and all relevant local electrical and building regulations.
- Do not exceed the product's rated electrical capacity.
- Avoid using power tools unless explicitly specified.
- Do not install in areas exposed to water or high humidity unless rated for such conditions.
- Use appropriate personal protective equipment (e.g., gloves, safety glasses).

For Set Up and Configuration Steps:  
Refer to the **Konec Smart Outlet with Energy Monitoring User Manual**.

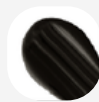
## PRODUCT MODEL & VARIATIONS



### GLASS WHITE

KGD-K118-1S-M-GLA-WH-Z

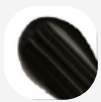
SKU: KSS00523



### PLASTIC BLACK

KGD-K118-1S-M-PC-BL-Z

SKU: KSS00525



### GLASS BLACK

KGD-K118-1S-M-GLA-BL-Z

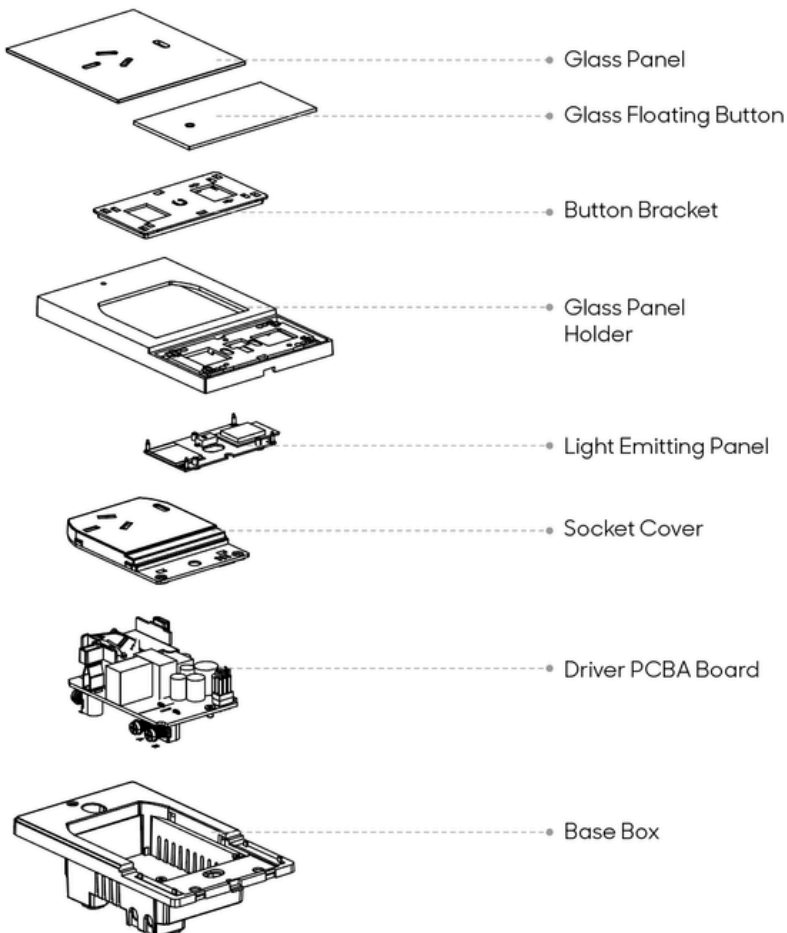
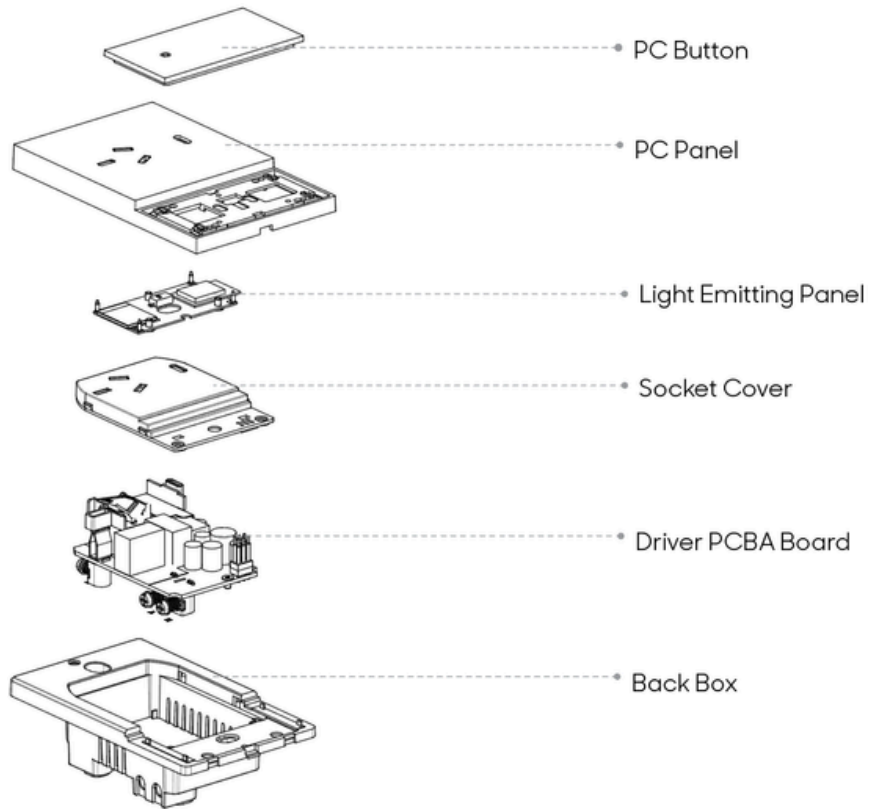
SKU: KSS00524



## EXPLODED VIEW

**PLASTIC  
BLACK**

**KGD-K118-1S-  
M-GLA-BL-Z**



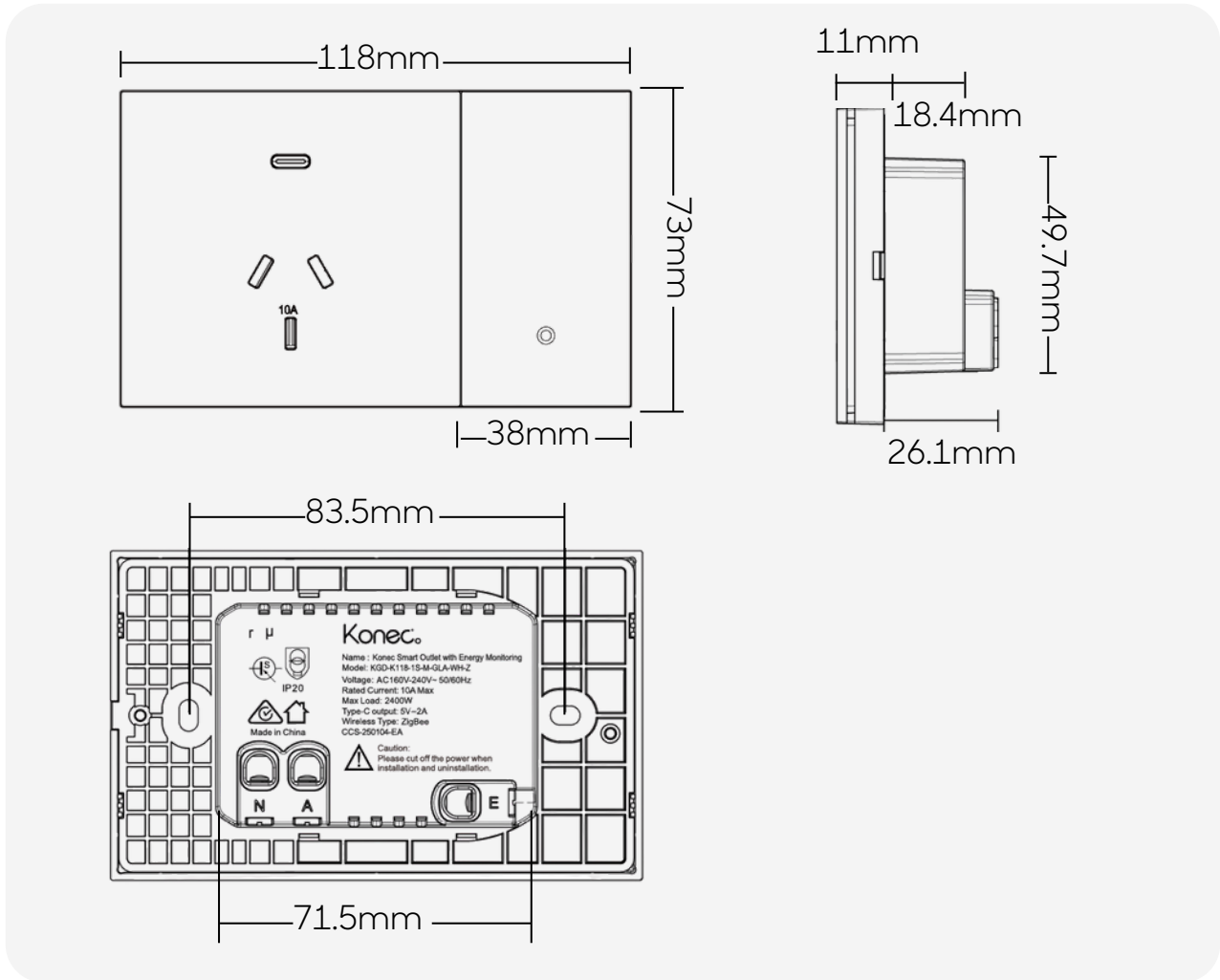
**GLASS  
WHITE**

**KGD-K118-1S-  
M-GLA-WH-Z**

**GLASS  
BLACK**

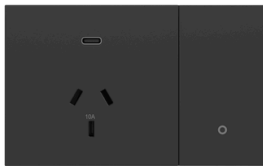
**KGD-K118-1S-  
M-GLA-BL-Z**

## DIMENSION



## WHAT'S INCLUDED

### SMART SWITCH \* 1



**Note:** This image is for reference. Colour and finish will vary based on what was ordered.

### SCREWS \* 2



### PAINTING PROTECTION COVER \* 1



### QUICK SETUP GUIDE \* 1



## PRECAUTIONS



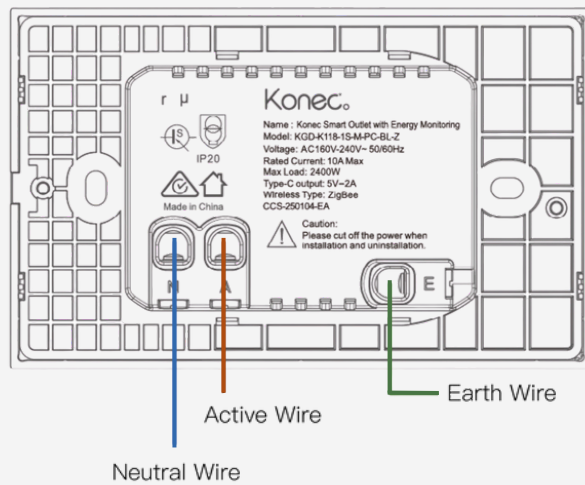
**CAUTION: PLEASE CUT OFF THE POWER WHEN WIRING.**



Household and indoor uses only, installed by a qualified professional.

## WIRING DIAGRAM

**Input Voltage Requirement:  
AC160V - 240V, 50/60Hz**



## INSTALLATION



**Note:** Before installing, ensure the wiring, cut-out & clearance is meeting the requirements.

### Active Wire and Neutral Wire Required



Active Wire



Neutral Wire



Earth Wire



Household and indoor uses only, installed by a qualified professional.

## Cut-out Requirements

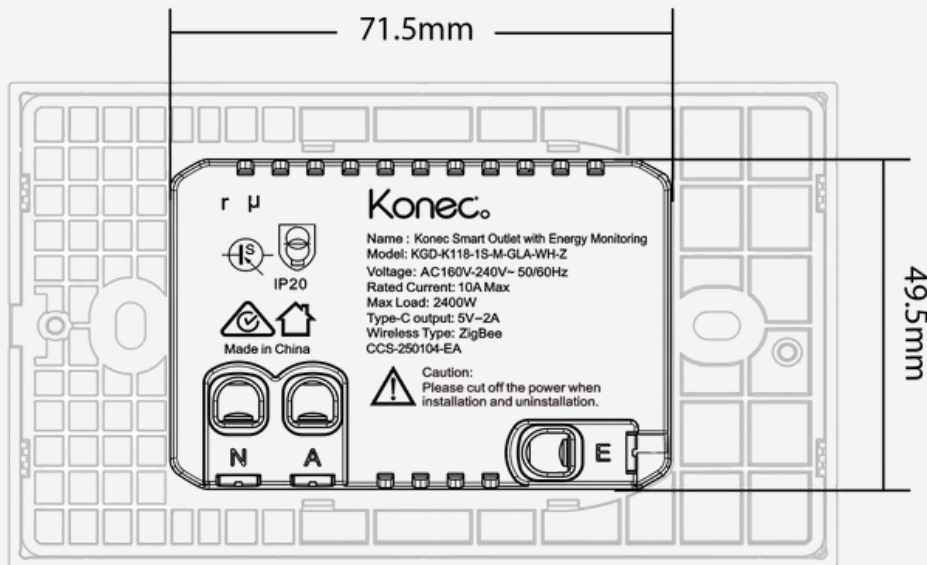
11mm

18.4mm

27.1mm

⚠️ Ensure the cavity space is sufficient to fit all of the wires.

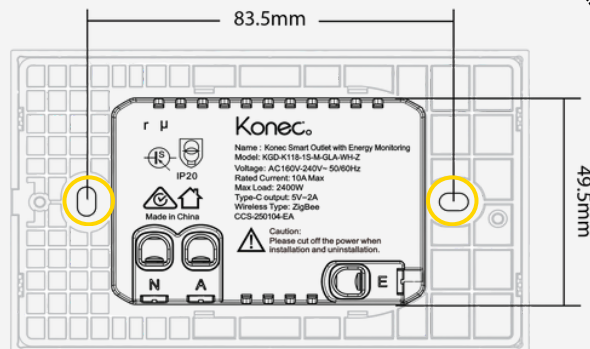
Cavity



### Special Circumstances

**Disclaimer:** The cut out dimensions and requirements may vary for surfaces such as **marble or tile**. Cut out spacing may need to include spacing for the screw holes.

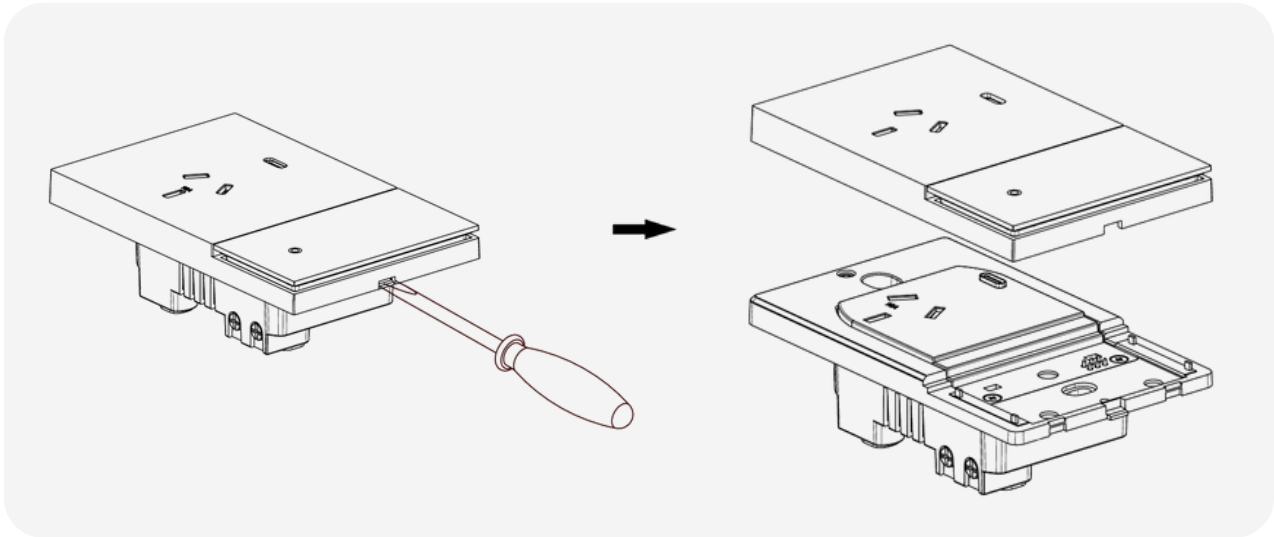
Include the screw holes for the cut out spacing.





**DO NOT USE POWER DRILLING TOOLS. THIS CAN BEND AND DAMAGE THE DEVICE.**

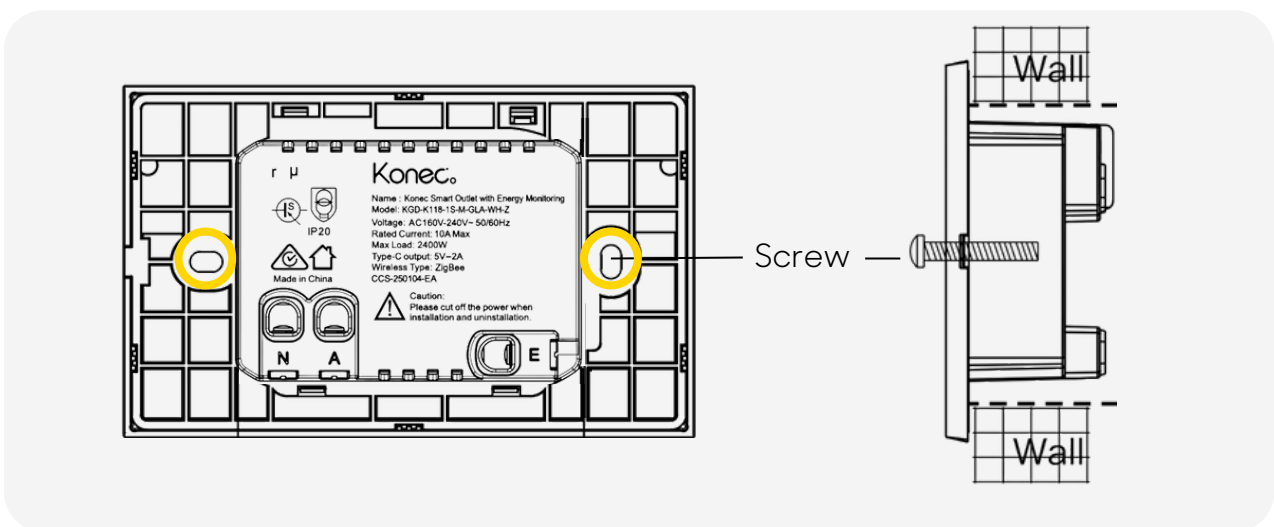
1. Use a screw driver to separate the panel and the base.



2. Prepare and connect the wiring. Refer to the Wiring Diagram (Pg.07).

- 2.1 **Active Wire** connects to "A" terminal.
- 2.2 **Neutral Wire** connects to "N" terminal.
- 2.3 **Earth Wire** connects to "E" terminal.

3. Screw the socket into the wallbox or plate on the wall, then snap the cover on it.



## NEXT STEPS

The Konec Smart Outlet with Energy Monitoring Installation Guide has been completed. For Set Up and Configuration steps, go to the official Konec website for more information. Go to the product page's resource section and refer to:



### **USER MANUAL - Konec Smart Outlet with Energy Monitoring**

For all Konec Smart Outlet with Energy Monitoring Series



**Note:** Be sure to consult the appropriate user manual, as various versions may differ in their configuration, setup, and functionality. The latest version of the document will be available on the official Konec Solutions website.

## Konec Solutions Pty Ltd

---

**Please do not hesitate to contact us if you have any questions.**



Konec Official Web

**<http://www.konechome.com.au>**

---



Hotline

**1300 2 56632 (1300 2 KONEC)**

---



Sales & Partnership

**[sales@konec.com.au](mailto:sales@konec.com.au)**

---



Customer Support

**[support@konec.com.au](mailto:support@konec.com.au)**

---



Address

**L3 5 Talavera Road Macquarie Park NSW 2113**

---