

KGD-K118-1S-M-PC-BL-Z

Konec

1 AC Outlet, Max. 10A, 5V/2A Type-C Port, Floating Button, Energy Monitoring, Blue indicator light, Zigbee, Plastic, BLACK



KONEC SMART OUTLET WITH ENERGY MONITORING

SKU: KSS00525

The smart single power socket includes a Floating button and a Type-C port.

This product's design meets AS 1428.1 accessibility requirements and aligns with the NDIS Specialist Disability Accommodation Design Standard.

* This outlet requires the Konec Zigbee hub to enable smart features like remote control and energy monitoring.

Scan the QR Code to download Arks by Konec Solutions App



FEATURES



MANUAL CONTROL

Manually turn on/off the outlet with a physical button that complies with the NDIS standards. During network failures, the device can still operate normally with the physical button.



ENERGY MONITORING

View real-time power consumption and energy usage records of the connected devices.



SAFETY PROTECTION

Automatically cuts off power when an overload is detected, protecting devices from damage.



APP CONTROL

The on/off status of the switch can be controlled remotely through the app.



SCENE CONTROL

Control multiple smart devices to your desired settings with a single tap.

SPECIFICATIONS

Input Voltage	AC160V - 240V, 50/60Hz
Rated Load	Max. 2400 W
Rated Current	Max. 10 A
Type-C Output	DC 5V/2A
Connection Type	Zigbee
Dimensions	118 x 73 x 38.8 mm
Energy Monitoring	Supported
Detection Reading	Min. 0.01 kWh
Operating Environment	Temperature: -10°C 55°C Humidity: ≤ 80%RH(Non-Condensing)
Storage Environment	Temperature: -10°C 55°C Humidity: ≤ 80%RH(Non-Condensing)

VARIATIONS

COLOUR & MATERIAL



**GLASS
WHITE**

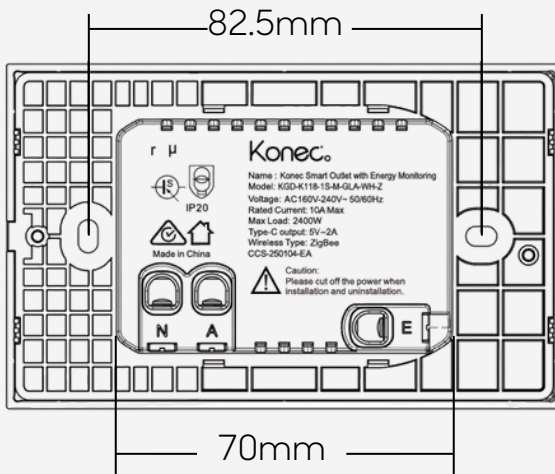
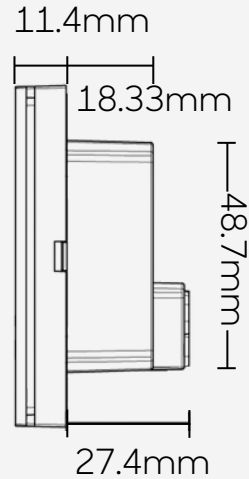
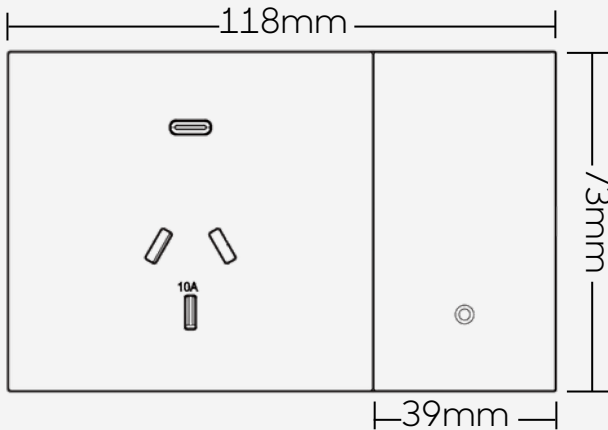


**PC
BLACK**



**GLASS
BLACK**

DIMENSIONS



Disclaimer

This document provides technical specifications for the Konec Smart Outlet with Energy Monitoring and is intended for reference only. Product specifications, features, and visuals may change without prior notice. For the most current product specifications, visit www.konechome.com.au. Konec Solutions Pty Ltd makes no guarantees regarding the completeness, accuracy, or currentness of this document. Users are responsible for verifying compatibility, suitability, and compliance with local regulations before purchase, installation, or use. To the extent permitted by law, Konec Solutions disclaims any liability for direct, indirect, incidental, or consequential damages resulting from reliance on this document.

Nothing in this disclaimer limits or excludes your rights under the Australian Consumer Law or the New Zealand Consumer Guarantees Act 1993.

Konec Solutions Pty Ltd.
<https://www.konechome.com.au/>
1300 2 56632 (1300 2 KONEC)
sales@konec.com.au