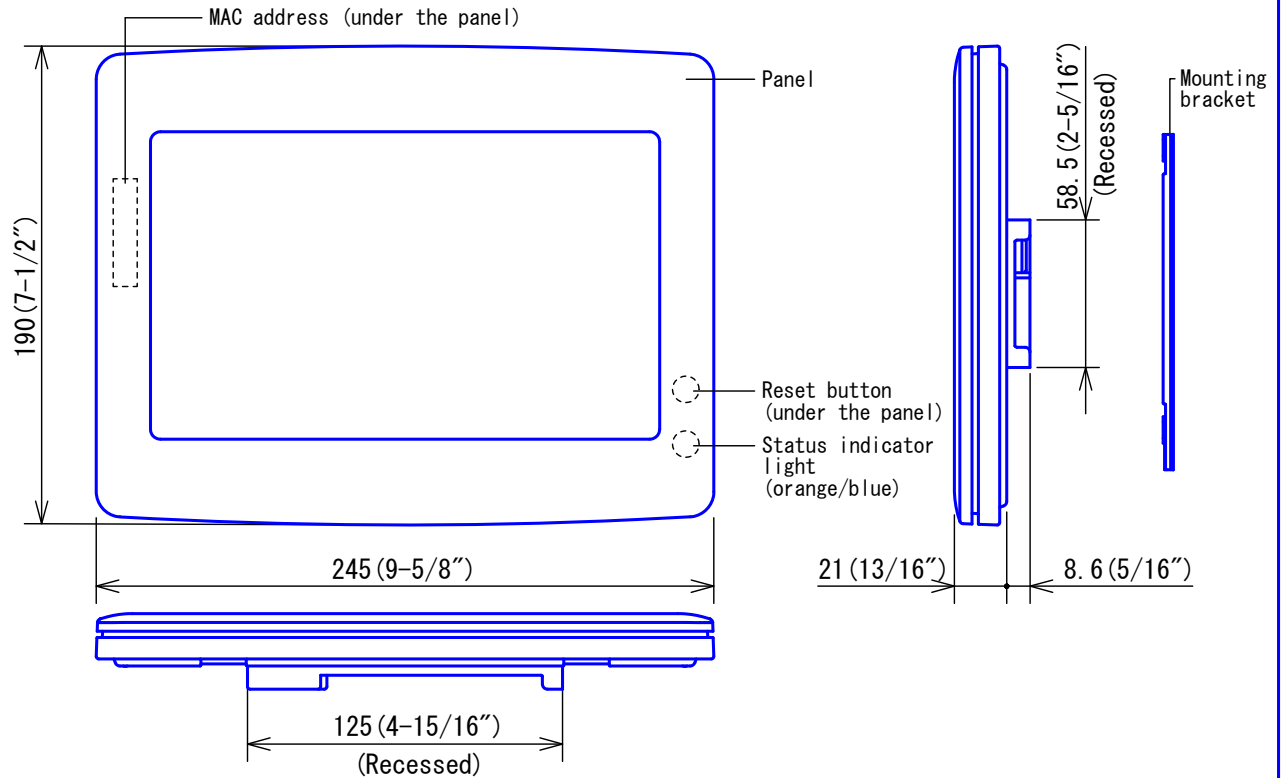
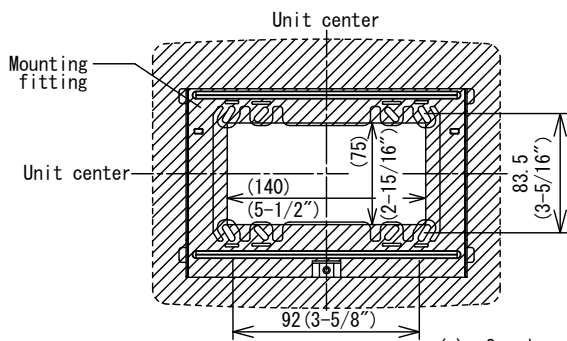


CAUTION: This is a preliminary specification sheet. All information subject to change without notice.

■ PRODUCT DRAWING

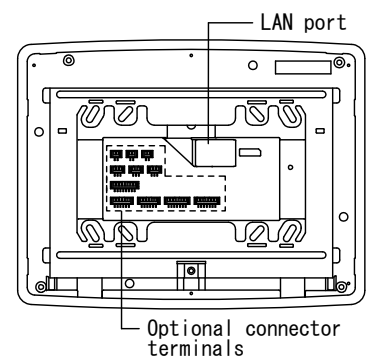


● MOUNTING



The units and devices should be installed so that the repair or maintenance work is carried out easily.

<Back view>



■ SPECIFICATIONS

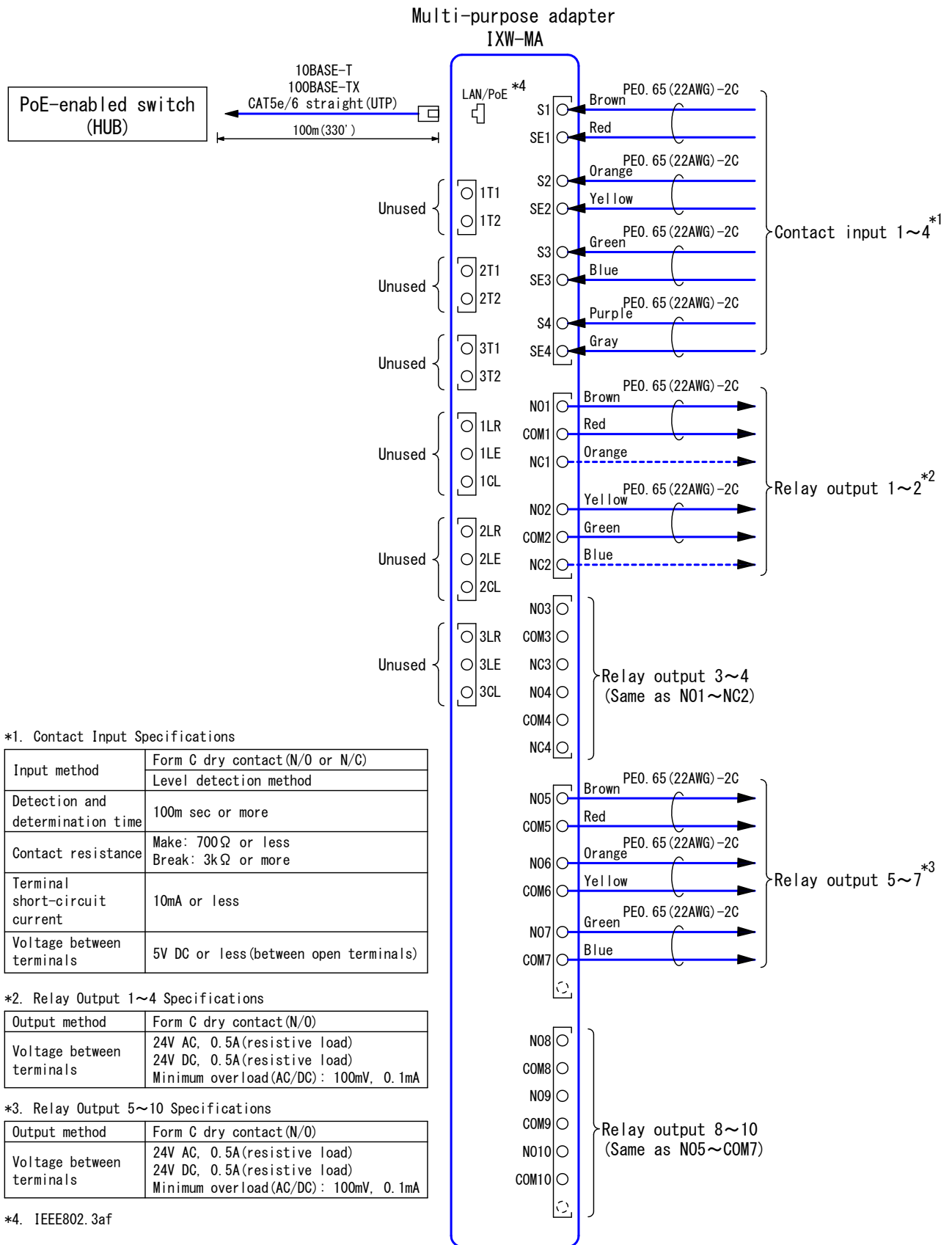
(): Opening cut out on the wall

Power source	Power-over-Ethernet (IEEE 802.3af Class 0)
Current consumption	Standby 43mA, maximum 135mA
LAN	Ethernet (10BASE-T, 100BASE-TX)
Protocol	IPv4, IPv6, TCP, UDP, SIP, HTTP, HTTPS, RTSP, RTP, RTCP, IGMP, MLD, SMTP, FTP, DHCP, NTP, DNS
Encryption method	TLS1.0, TLS1.1, TLS1.2
Packet delivery	Unicast
Ambient temperature	-10~+50°C (+14~+104° F)
Mounting	Wall-mount
Electrical box	3-gang box
Material	Fire-retardant PC + ABS resin
Unit color	Snow white (5Y9.3/0.1 Munsell Approximation)
Weight	630g (approx.) (1.39 lbs)

DESCRIPTION	FIG. NAME	UNIT	DATE
MULTI-PURPOSE ADAPTER	PRODUCT/SPECIFICATIONS	mm	31 October, 2017
MODEL NO.	FIG. NO.	PAGE	REVISION
IXW-MA	IXW-MA-1-3	1/3	1

AIPHONE

■ WIRING DIAGRAM



DESCRIPTION MULTI-PURPOSE ADAPTER	FIG. NAME WIRING DIAGRAM	UNIT mm	DATE 31 October, 2017
MODEL NO. IXW-MA	FIG. NO. IXW-MA-2-3	PAGE 2/3	REVISION 1
			AIPHONE

■ RESTRICTIONS

- A PoE-compatible switch must be used as the switch (hub) for station connection.
- A computer is required to make system settings.
IX system can be configured in one of the two methods, "IX Support Tool" application or Web browser. Once the system has been configured through a browser, the settings cannot be transferred to IX Support Tool. The IX Support Tool is recommended for system settings management.
- While updating the System settings, stations unavailable.
- The product should be installed in a place where it is not in contact with a part of the human body or other materials.
- This product should not be installed in a place under the roof or on the floor.

■ RESTRICTIONS ABOUT THE NETWORK

- Connection cannot be made over the Internet (global IP network).
- We do not recommend using a wireless LAN as it may not operate correctly due to security issues or communication speed delays.
- The procedures used for making network settings differ depending on the availability of automatic IP address assignment through DHCP or stateless automatic setup.
- For IPv4 Address with DHCP, due to the architecture of the IX system, DHCP configuration is only recommended for network environments utilizing managed (static) IP address leasing.
- For stateless IPv6 Address, do not change the prefix of the device so that it cannot transmit Router Advertisement (RA).
- For IPv6 Address with DHCP, due to the architecture of the IX system, DHCP configuration is only recommended for network environments utilizing managed (static) IP address leasing.
The DUID of the device: 00030001 + MAC address
- Depending on the network environment and computer, prior arrangements and setup operations involving the network administrator might be necessary.
- Download the Settings data and store it at a safe location. Otherwise, it may become impossible to restore the settings after fixing a failure.
Make sure not to use duplicate file names when saving data.
- Depending on the network environment, operation delays might occur.
- The protocols used by this system must be supported.
IPv4, IPv6, TCP, UDP, SIP, HTTP, HTTPS, RTSP, RTP, RTCP, IGMP, MLD, SMTP, FTP, DHCP, NTP, DNS
- IPv4 and IPv6 cannot be mixed in the same system.

■ FUNCTIONS

- Indicators

Name	Status	Description
Status indicator	Orange flashing	Booting
		Device error
		Communication failure
		Firmware version upgrading
		Initializing
	Blue light	Normal operation

DESCRIPTION MULTI-PURPOSE ADAPTER	FIG. NAME RESTRICTIONS/FUNCTIONS	UNIT mm	DATE 31 October, 2017
MODEL NO. IXW-MA	FIG. NO. IXW-MA-3-3	PAGE 3/3	REVISION 1
			AIPHONE