

## IPC-D140H(-M) 4.0 MP IR Network Dome Camera



### Key Features

- 1/3" progressive scan CMOS
- 2560 × 1440@20fps
- 2.8 mm/4 mm/6 mm fixed lens
- H.265+, H.265, H.264+, H.264
- Dual stream
- 120 dB WDR (Wide Dynamic Range)
- 3D DNR (Digital Noise Reduction)
- Up to 30 m IR range
- PoE (Power over Ethernet)
- IP67, IK10

## Specification

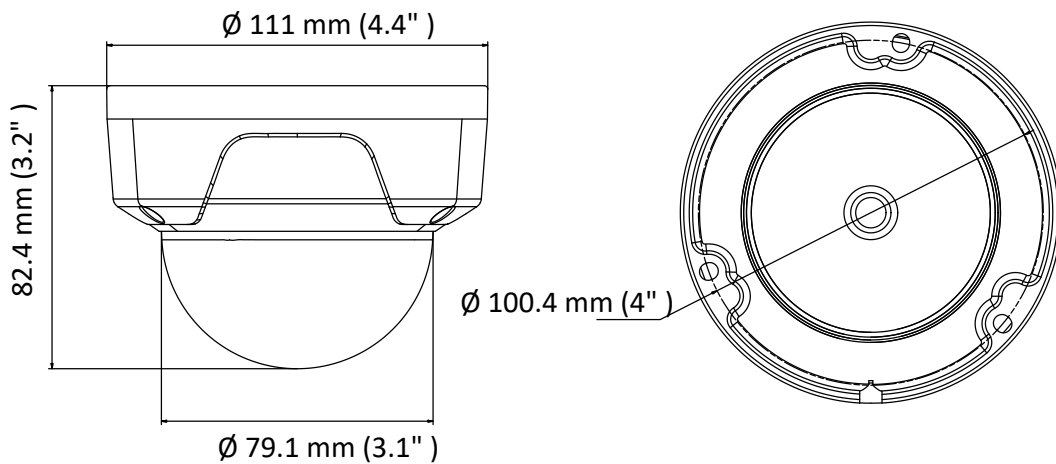
<b>Camera</b>	
Image Sensor	1/3" progressive scan CMOS
Min. Illumination	Color: 0.01 Lux @(F1.2, AGC ON), 0.028Lux @ (F2.0, AGC ON)
Shutter Speed	1/3 s to 1/100, 000 s
Slow Shutter	Yes
Auto-Iris	No
Day & Night	IR cut filter
Digital Noise Reduction	3D DNR
WDR	120 dB
Angle Adjustment	Pan: 0° to 355°, tilt: 0° to 70°
<b>Lens</b>	
Focal Length	2.8 mm, 4 mm, 6 mm
Aperture	F2.0
Focus	No
FOV	2.8 mm, horizontal FOV 100°, vertical FOV 55°, diagonal FOV 117° 4 mm, horizontal FOV 77°, vertical FOV 42°, diagonal FOV 88° 6 mm, horizontal FOV 51°, vertical FOV 28°, diagonal FOV 58°
Lens Mount	M12
<b>IR</b>	
IR Range	Up to 30 m
Wavelength	850 nm
<b>Compression Standard</b>	
Video Compression	Main stream: H.265/H.264 Sub stream: H.265/H.264/MJPEG
H.264 Type	Baseline Profile/Main Profile/High Profile
H.264+	Main stream supports
H.265 Type	Main Profile
H.265+	Main stream supports
Video Bit Rate	32 Kbps to 8 Mbps
<b>Smart Feature-set</b>	
Region of Interest	1 fixed region for main stream and sub-stream
<b>Image</b>	
Max. Resolution	2560 × 1440
Main Stream Max. Frame Rate	50Hz: 20fps (2560 × 1440), 25fps (2304 × 1296, 1920 × 1080, 1280 × 720) 60Hz: 20fps (2560 × 1440), 30fps (2304 × 1296, 1920 × 1080, 1280 × 720)
Sub-stream Max. Frame Rate	50Hz: 25fps (640 × 480, 640 × 360, 320 × 240) 60Hz: 30fps (640 × 480, 640 × 360, 320 × 240)
Image Enhancement	BLC, 3D DNR
Image Settings	Saturation, brightness, contrast, sharpness, AGC, white balance adjustable by client software or web browser
Day/Night Switch	Auto, scheduled
<b>Network</b>	
Network Storage	NAS (NFS, SMB/CIFS)
Alarm Trigger	Motion detection, video tampering alarm, illegal login
Protocols	TCP/IP, ICMP, HTTP, HTTPS, FTP, DHCP, DNS, DDNS, RTP, RTSP, RTCP, PPPoE, NTP, UPnP, SMTP, SNMP, IGMP, 802.1X, QoS, IPv6, UDP, Bonjour
General Function	Anti-flicker, heartbeat, mirror, password protection, privacy mask, watermark, IP address filter

Firmware Version	5.5.3
API	ONVIF (PROFILE S, PROFILE G), ISAPI
Simultaneous Live View	Up to 6 channels
User/Host	Up to 32 users 3 levels: Administrator, Operator and User
Client	iVMS-4200, Hik-Connect, iVMS-5200, iVMS-4500
Web Browser	IE8+, Chrome 31.0-44, Firefox 30.0-51, Safari 8.0+
<b>Interface</b>	
Communication Interface	1 RJ45 10M/100M self-adaptive Ethernet port
Reset Button	Yes
<b>General</b>	
Operating Conditions	-30 °C to 50 °C (-22 °F to 122 °F), humidity: 95% or less (non-condensing)
Power Supply	12 VDC ± 25%, 5.5 mm coaxial power plug PoE (802.3af, class 3)
Power Consumption and Current	12 VDC, 0.4 A, Max: 5 W PoE: (802.3af, 36 V to 57 V), 0.2 A to 0.13 A, Max: 7 W
Ingress Protection	IP67, IK10
Material	Without -M model: Bubble: plastic, front cover: plastic, bottom base: metal -M model: Bubble: plastic, front cover: metal, bottom base: metal
Dimensions	Camera: Ø 111 mm × 82.4 mm (Ø 4.4" × 3.2") With package: 134 mm × 134 mm × 108 mm (5.3" × 5.3" × 4.3")
Weight	Without -M model: Camera: approx. 410 g (0.9 lb.) With package: approx. 610 g (1.3 lb.) -M model: Camera: approx. 455 g (1 lb.) With package: approx. 655 g (1.4 lb.)

## Available Models

IPC-D140H (2.8/4/6 mm), IPC-D140H-M (2.8/4 mm)

## Dimension



## Accessories



DS-1259ZJ  
Inclined Ceiling  
Mount



DS-1271ZJ-110  
Pendant Mount



DS-1272ZJ-110  
Wall Mount



DS-1272ZJ-110B  
Wall Mount



DS-1258ZJ  
Wall Mount



DS-1276ZJ-SUS  
Corner Mount



DS-1280ZJ-DM18  
Junction Box



DS-1250ZJ  
Rain Shade



DS-1253ZJ-M  
Rain Shade



### Melbourne Branch

121/45 Gilby Road, Mount Waverley, VIC 3149  
P: 03 9558 8088 | F: 03 9558 8089  
E: vicsales@netsecurity.com.au

### Adelaide Branch

4 Commercial Street, Marleston, SA 5033  
P: 08 8371 4166 | F: 08 8371 4566  
E: sales@netsecurity.com.au

Trade-only wholesale distributor of  
leading-brand security products.

[www.netdigital.com.au](http://www.netdigital.com.au)