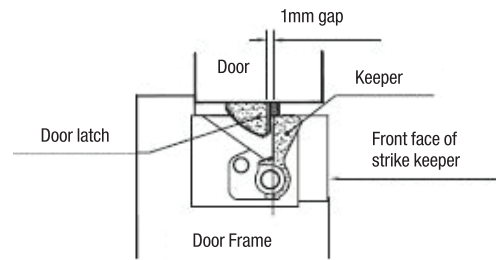
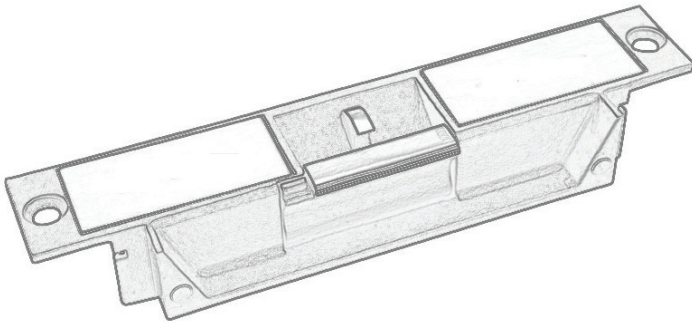


**INTRODUCTION:**

The patented **ES20** series of strikes are manufactured from stainless steel and accept voltages from 12 to 36VDC. It has a 10mm lip, is pre-drilled for extension lips and has a unique and simple fail secure (power to open)/ fail safe (power to lock) changeover function without the need to dismantle the strike.

- ES20** - Unmonitored Australian profile Electric Door Strike.
- ES20M** - Fully monitored Australian profile Electric Door Strike with 3 forms of monitoring.

- Lock Status Sensor (LSS)** - State of internal locking mechanism
- Door Latch Sensor (DSS)** - Door latch engaged within strike keeper
- Anti – tamper Sensor (ATS)** - Door strike removed or repositioned

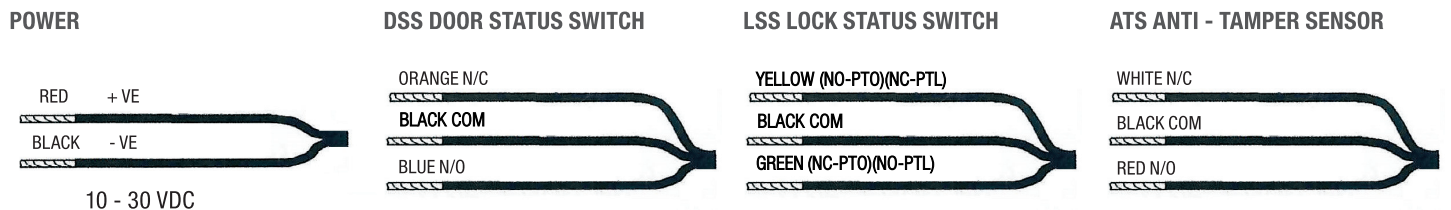


As drawn in the diagram above there should be a 1mm gap between the door latch and the front-face of the strike keeper, preventing the door from creating back pressure on the strike keeper when the door is closed.

**TECHNICAL DATA:**

<b>ES20</b>	AUSTRALIAN PROFILE NON MONITORED DOOR STRIKE. MORTICE MOUNT, POWER TO LOCK/POWER TO OPEN FIELD INTERCHANGEABLE CAPACITY.
<b>ES20M</b>	MONITORED VERSION OF THE ES20
<b>HOLDING STRENGTH</b>	UP TO 1000KG, TESTED TO 1.5 MILLION CYCLES
<b>VOLTAGE/CURRENT</b>	MULTI VOLTAGE 10—30VDC, 250MA AT 12VDC, 125MA AT 24VDC
<b>APPROVALS</b>	CE & C-TICK, 4 HOUR FIRE RATED TO A.S. AND B.S. STANDARDS
<b>LSS MONITORING</b>	STATUS SENSOR OF THE INTERNAL LOCKING MECHANISM
<b>DSS MONITORING</b>	DOOR LATCH SENSOR, DOOR LATCH ENGAGED WITHIN STRIKE KEEPER
<b>ATS MONITORING</b>	DOOR STRIKE REMOVED OR REPOSITIONED SENSOR
<b>ENVIRONMENTAL</b>	OPERATIONAL TEMPERATURE RANGE - 20 DEG. C TO 60 DEG. C.

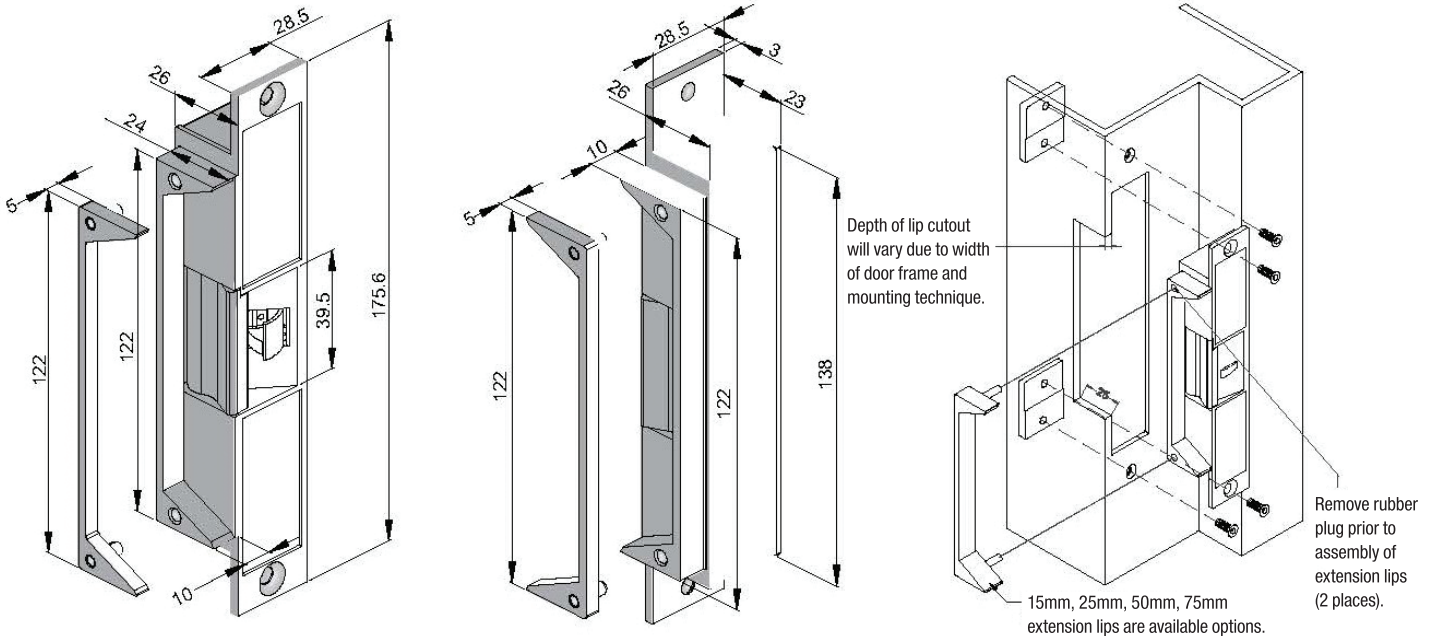
**WIRING AND POWER INPUT REQUIREMENTS:**



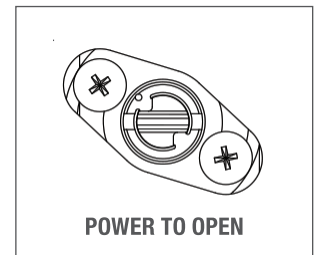
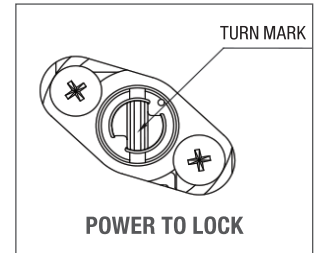
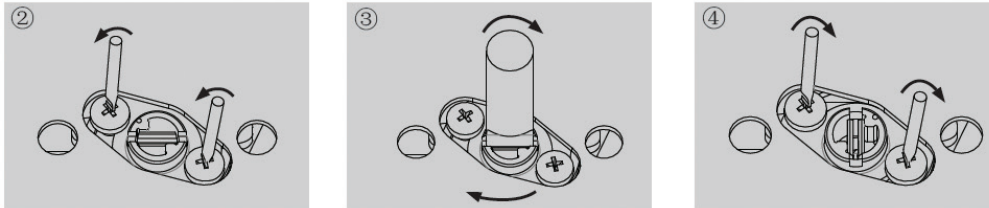
THE WIRING DIAGRAM IS SHOWN FOR THE LOCK BEING LOCKED, AND DOOR CLOSED.

NO ADDITIONAL DIODE PROTECTION IS REQUIRED.

**DIMENSIONS:**



**CHANGING LOCK FUNCTION FROM FAIL SECURE TO FAIL SAFE**



- Step 1: Disconnect power before performing any changeover.
- Step 2: Remove the protective cover and loosen up the two locking screws 2 turns.
- Step 3: 90° turn clockwise on the Cam axis. (Tip: Use a small slot screw driver to make the turn)
- Step 4: Tighten up the locking screws and put back on the protective cover.
- Step 5: The strike is now in the Fail Safe mode (PTL).

**REVERSE ALL STEPS TO CHANGE FROM FAIL SAFE TO FAIL SECURE OPERATION**

**ORDERING DETAILS AND ACCESSORIES:**

PART NUMBER	PRODUCT DESCRIPTION
ES20	NON MONITORED HIGH SECURITY ELECTRIC STRIKE
ES20M	MONITORED HIGH SECURITY ELECTRIC STRIKE
ES20M-M	ES20M WITH TWO FACEPLATE MAGNETS
ES20-EL15	ES20 EXTENSION LIP 15MM
ES20-EL25	ES20 EXTENSION LIP 25MM
ES20-EL50	ES20 EXTENSION LIP 50MM
ES20-EL75	ES20 EXTENSION LIP 75MM
ES20-REBATE	REBATE KIT FOR ES20 SERIES

