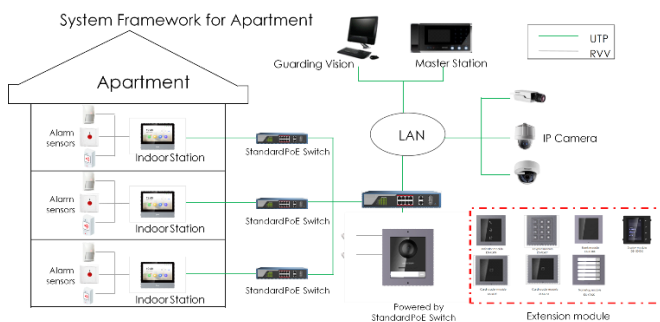




Key Feature

- 3.5-inch LCD screen with resolution: 320 × 480p
- 4 physical buttons with backlight
- Up to 500 contacts can be added to the device
- Dials number and calls indoor station with keypad module
- Unlocks door by PIN code with keypad module
- Multiple languages

Typical Application



Approval

CE-EMC	<ul style="list-style-type: none"> a. EN 55032:2015 b. EN 61000-3-2:2014 c. EN 61000-3-3:2013 d. EN 50130-4:2011 +A1:2014
CE-LVD	EN 60950-1:2006 + A11:2009 + A1:2010 + A12:2011 + A2:2013
CB	IEC 60950-1:2005 (Second Edition) + Am 1:2009 + Am 2:2013
C-TICK(EMC)	AS/NZS CISPR 32:2015
ROHS	2011/65/EU
REACH	Regulation (EC) No 1907/2006
WEEE	2012/19/EU

Specification

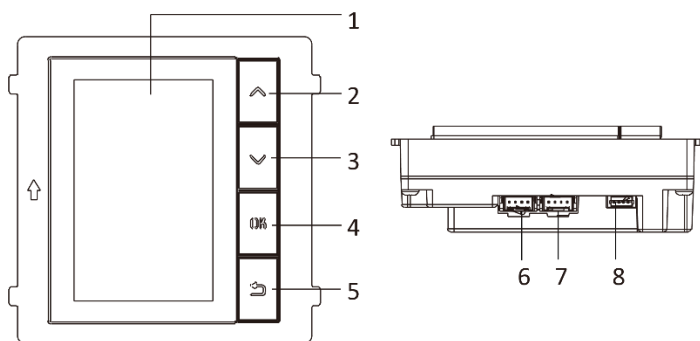
System parameters	
Processor	Embedded MCU Processor
Storage	64 MB
Flash	8 MB
Display parameters	
Screen	3.5-inch TFT LCD screen
Resolution	320 × 480p
Backlight	Supported
Operation method	Physical buttons
Interfaces	
Module-connecting	2 (1 input, 1 output)
Power input	12VDC(From the other module)
Power output	12VDC(For the other module)
Physical buttons	4(Up, Down, OK, Back)
Debugging port	1
General	
Power consumption	≤ 3 W
Working temperature	-20° C to +60° C(-4° F to 140° F)
Working humidity	10% to 95%
IP protection level	IP65
Installation	Flush mounting, surface mounting
Dimension	98.5 mm × 100 mm × 34.2 mm (3.87" × 3.95" × 1.33")

Note: Listed resolutions are only selectable options. It does not mean that all streams can work at their maximum resolution at the same time.

Available Model

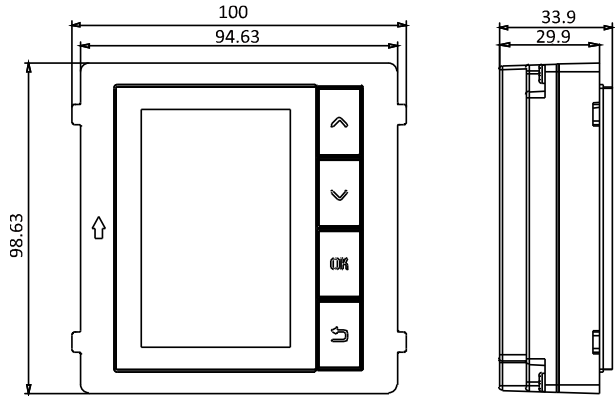
DS-KD-DIS

Appearance and Interfaces



No.	Description	No.	Description
1	Screen	5	Back Button
2	Up Button	6	Module-connecting Interface (output)
3	Down Button	7	Module-connecting Interface (input)
4	OK Button	8	Debug Port

Dimension



Unit: mm

Accessory

Optional



DS-KD-ACF1/Plastic



DS-KD-ACF2/Plastic



DS-KD-ACF3/Plastic



DS-KD-ACW1



DS-KD-ACW2



DS-KD-ACW3



Distributed by



HIKVISION

Distributed by:



www.netdigital.com.au