

Specifications

WM

Model	Capacity	Width (mm)	Depth (mm)	Height (mm)	N.W./G.W. (kg)	Shelves (pcs)	Cage Nuts (sets)
WM.6406	6RU	600	450	370	15.1/16.3	1	10
WM.6409	9RU			500	18.7/20	1	10
WM.6412	12RU			637	22/23.4	2	10
WM.6418	18RU			903	28/29.6	2	20

ZH

Model	Capacity	Width (mm)	Depth (mm)	Height (mm)	N.W./G.W. (kg)	Shelves (pcs)	Cage Nuts (sets)
ZH.6606W	6RU	600	600	370	20.1/21.4	1	10
ZH.6609W	9RU			500	24.6/26	1	10
ZH.6612W	12RU			637	28.7/30.2	2	10
ZH.6618W	18RU			903	36.2/37.9	2	20

Warning

Max loading is 60Kgs.

Warning

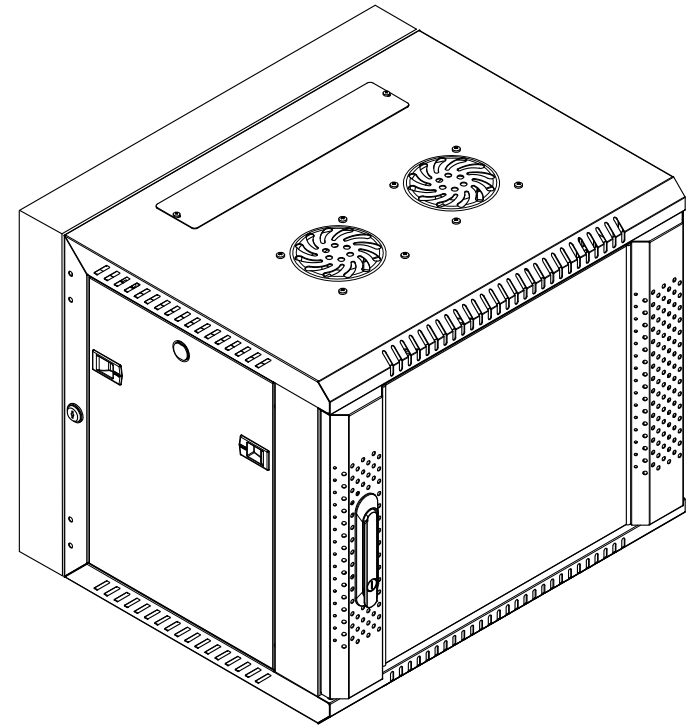
When using with Swing Frame or in ZH configuration:

Ensure all hinges are tightly secured.

Alignment studs are installed on opposite side from hinges.

Keep cabinet locked to swing frame when not in use.

Do not load weight on hinges for extended periods of time.



ZH User Manual



Power Systems Solutions

Please read these instruction and check the contents of this kit carefully before installation.

Contents included

SF (Swing Frame)

- 1 x wall mount cabinet
- 1 x swing frame
- 1 x key lock
- 5 x rubber cushions
- 1 x earth cable
- 2/3/4 (6RU / 9 & 12RU / 18RU) hinges and hex nuts sets
- 1 x hex nut driver
- 2 x alignment studs

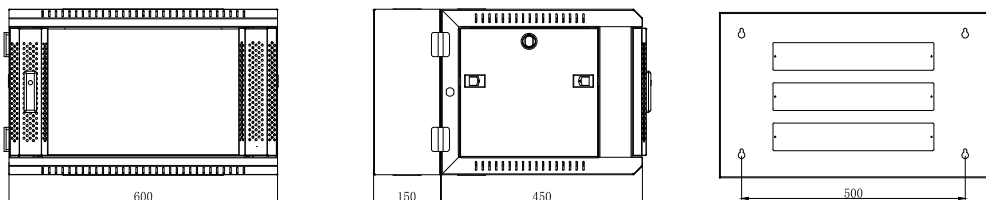
WM

- 1 x Redback rack
- 1 x rear panel
- 1 x mounting plate
- 20 x cage nuts

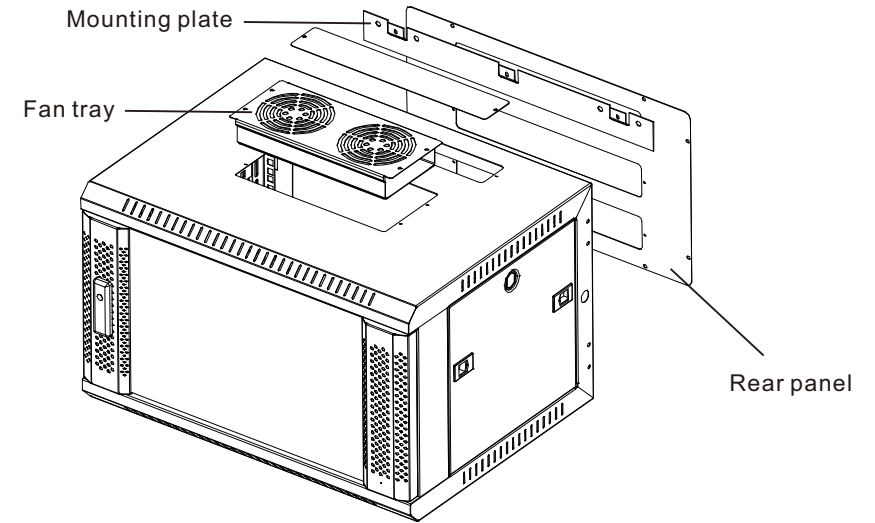
Instructions

1. Remove mounting plate, back panel and discard.
2. 2/3/4 (6RU / 9 & 12RU / 18RU) hinges and hex nuts sets to Redback rack.
3. Fix key lock to rack and attach lock arm in unlocked position.
4. Install rubber cushions for soft closing.
5. Mount swing frame correct side up to the redback rack via hinges.
6. Install earth cable between Redback rack and swing frame.
7. install alignment studs provided and ensure cabinet and cabinet swing frame is locked when not in use and remove key.

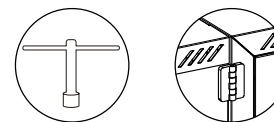
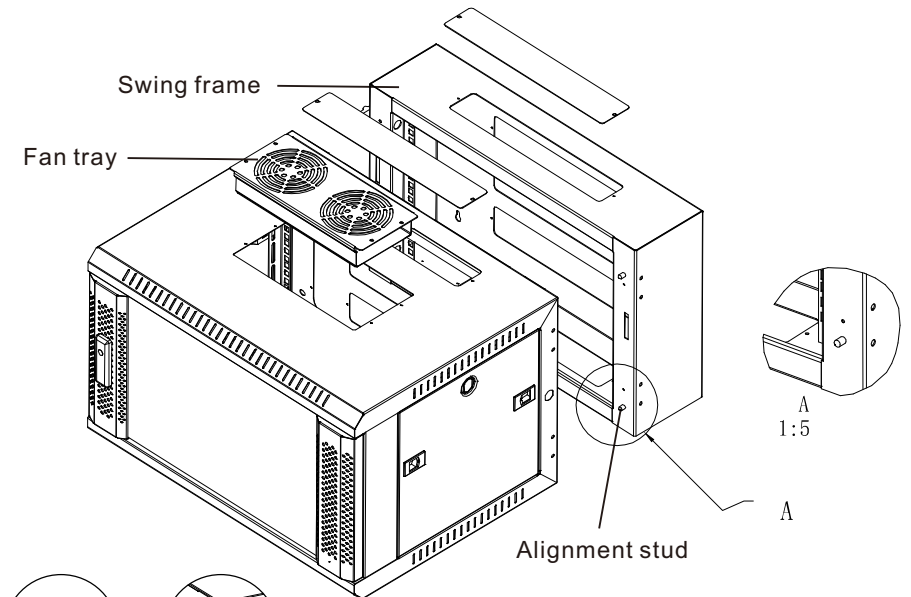
Structure



WM



ZH



Hex nut driver Hinge