



TH3CR-A

Eureka Multi-Function Timer

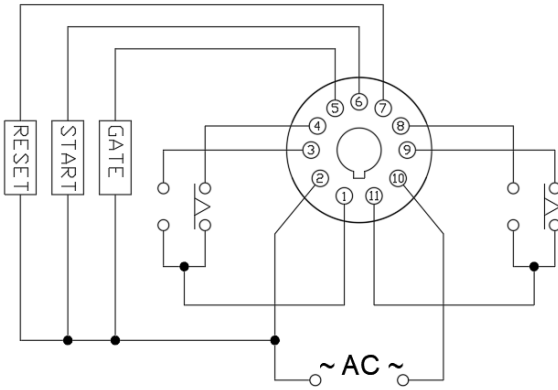
- Wide Operating Voltage
- 8 field-selectable output modes for various applications
- 16 field-selectable time range, longest time 300 hours
- Short body Design
- CE Certified
- DIN Size W48 x H48 mm



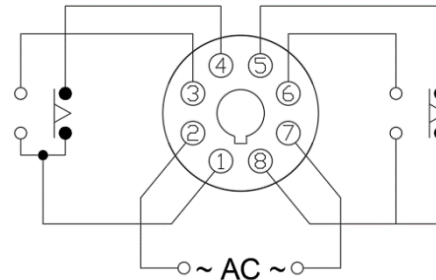
Properties

Properties		
	TH3CR-A8	TH3CR-A
Manufacturer	Eureka	
Product Range	TH3CR Multi-Range/Multi-Function Timers	
Time Range	SEC: 1.2 / 3 / 12 / 30 MIN: 1.2 / 3 / 12 / 30 HRS: 1.2 / 3 / 12 / 30 10H: 1.2 / 3 / 12 / 30	
Rated Supply Voltage	100 to 240 VAC	
Operating Voltage Range	85% to 110% of rated voltage	
Rated Frequency	50 / 60Hz	
Contact Rating	250 VAC 5A (resistive load)	
Reset Time	Less Than 0.1s	
Power Consumption	3 VA max	
Endurance	Mechanical	5000000 Operations
	Electrical	100000 Operations
Pin Configuration	8 pins	11 Pins
Ambient Temperature	-10°C~+55°C (No Ice)	
Ambient Humidity	45 ~ 85% RH	
Panel Cut-Out	45 x 45mm	
Available Modes	A : Signal ON delay B2: Flicker ON start E : Signal ON Interval J : One-shot Output	A : Signal ON delay B2: Flicker OFF start B2: Flicker ON start C : Signal ON/OFF delay D : Signal OFF delay E : Signal ON delay G : Signal ON/OFF-delay J : One-shot Output
Accessories	US-08; Round 8 pin base P2CF-08; Round 8 pin base with clips P3G-08; 8 pin base back wired	P2CF-11; Round 11 pin base with clips P3G-11; 11 pin base back wired

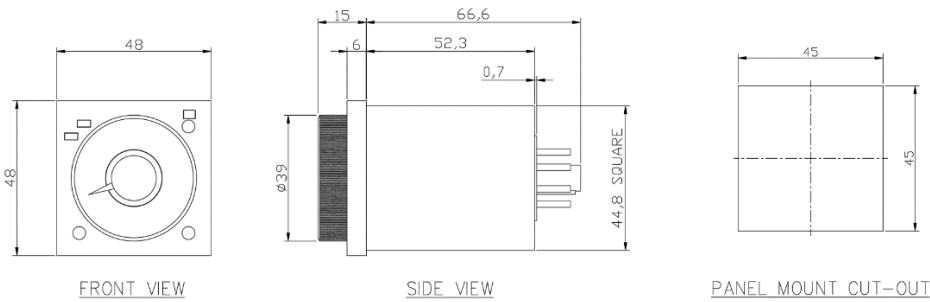
### Wiring Diagram for TH3CR-A



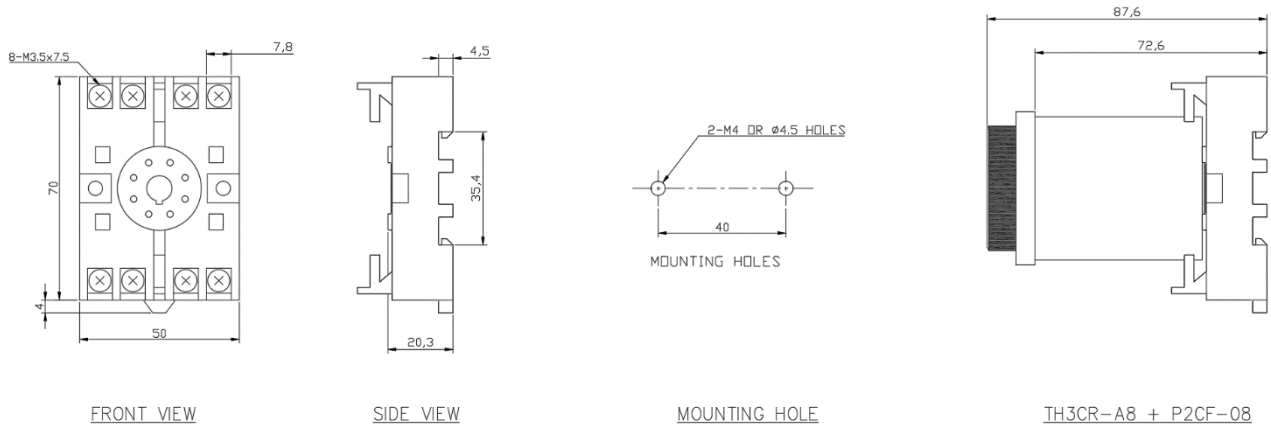
### Wiring Diagram for TH3CR-A8



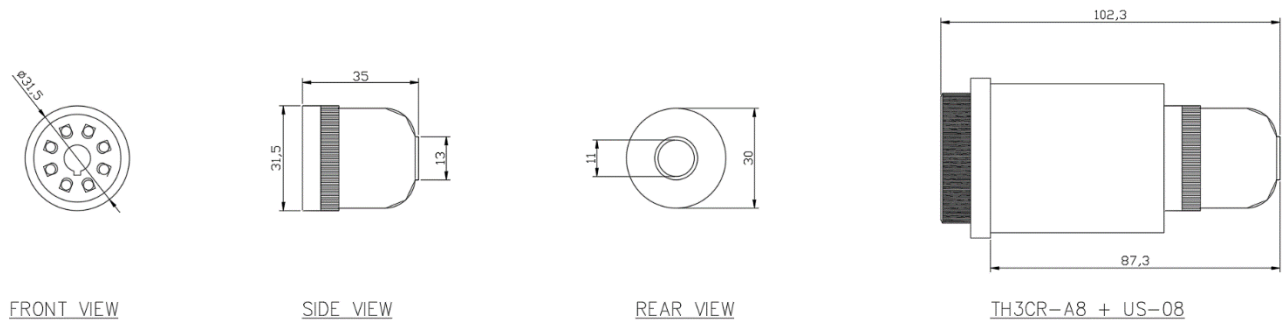
### Dimension for TH3CR-A8



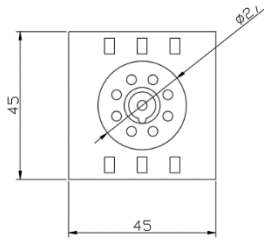
### Dimension for P2CF-08



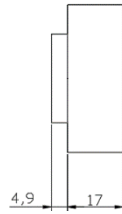
### Dimension for US-08



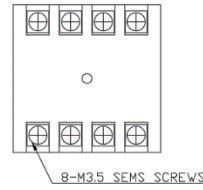
Dimension for P3G-A8



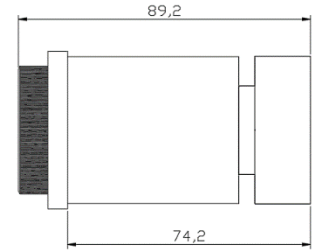
FRONT VIEW



SIDE VIEW

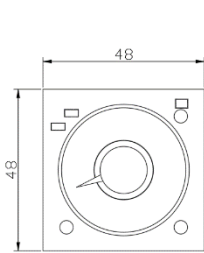


REAR VIEW

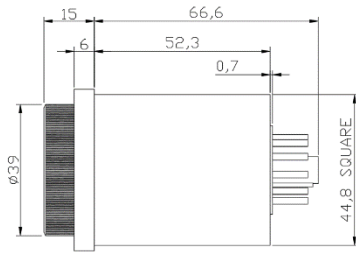


TH3CR-A8 + P3G-08

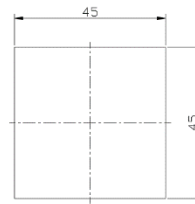
Dimension for TH3CR-A



FRONT VIEW

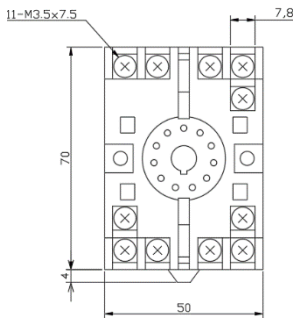


SIDE VIEW

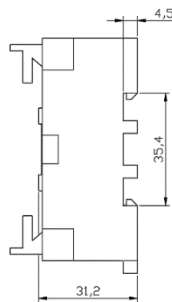


PANEL MOUNT CUT-OUT

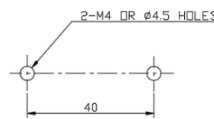
Dimension for P2CF-11



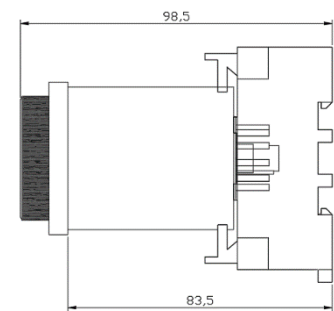
FRONT VIEW



SIDE VIEW

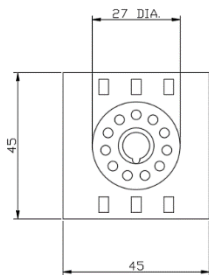


MOUNTING HOLE

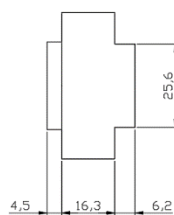


TH3CR-A + P2CF-11

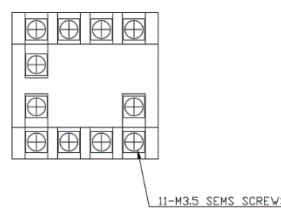
Dimension for P3G-11



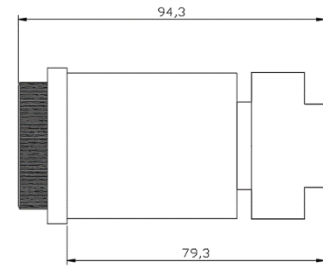
FRONT VIEW



SIDE VIEW



MOUNTING HOLE



TH3CR-A + P3G-11