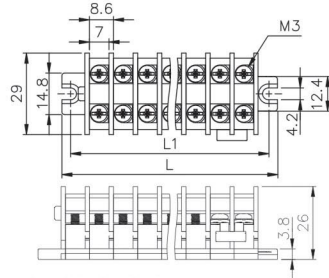


FEATURES

- The series of finger-protecting terminal blocks are improved on our previous TBC/TBR/TBD series. The transparent cover had to be bought as an extra in the past and be removed before wiring. It caused an increase of cost and waste of time. With the cover being molded together with the base now, screwdriver can be put through the hole on the cover to unscrew. Fingers are, thus, well protected and it keeps the user from any possible electric shock.
- In the past, screws had to be reversed loose first and tightened after terminals or wires had been put into place. New design keeps the screws separate to allow the user to tighten them directly in wiring. There is no risk of the screws, falling-off even when they turn loose.
- Finger-protecting 2P terminal block connector is also available. It can protect the user from any possible electric shock and may be applicable to all the three TBCN/TBRN/TBDN series.

DIMENSIONS

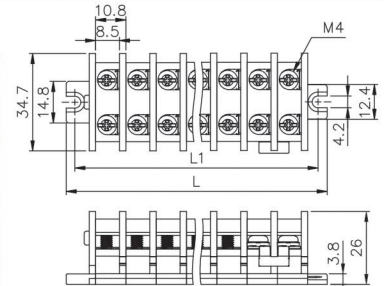
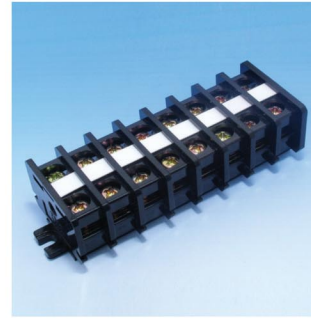
TBCN-10



$L = 16.8 + 8.6 * n$
 $L1 = 10.6 + 8.6 * n$
 $n = \text{Pole}$

| Pole | 2 | 3 | 4 | 5 | 6 | 7 | 8 | 9 | 10 | 11 | 12 |
|------|------|------|------|------|------|------|------|------|-------|-------|-------|
| L | 34 | 42.6 | 51.2 | 59.8 | 68.4 | 77 | 85.6 | 94.2 | 102.8 | 111.4 | 120 |
| L1 | 27.8 | 36.4 | 45 | 53.6 | 62.2 | 70.8 | 79.4 | 88 | 96.6 | 105.2 | 113.8 |

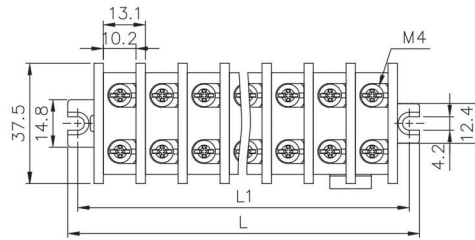
TBCN-20



$L = 17.6 + 10.8 * n$
 $L1 = 11.4 + 10.8 * n$
 $n = \text{Pole}$

| Pole | 2 | 3 | 4 | 5 | 6 | 7 | 8 | 9 | 10 | 11 | 12 |
|------|------|------|------|------|------|------|------|-------|-------|-------|-------|
| L | 39.2 | 50 | 60.8 | 71.6 | 82.4 | 93.2 | 104 | 114.8 | 125.6 | 136.4 | 147.2 |
| L1 | 33 | 43.8 | 54.6 | 65.4 | 76.2 | 87 | 97.8 | 108.6 | 119.4 | 130.2 | 141 |

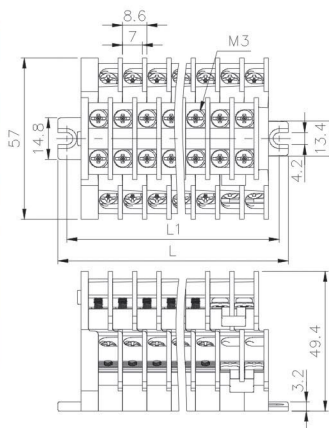
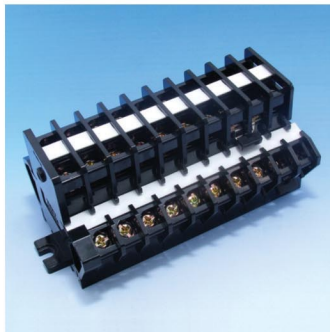
TBCN-30



$L = 18.1 + 13.1 * n$
 $L1 = 11.9 + 13.1 * n$
 $n = \text{Pole}$

| Pole | 2 | 3 | 4 | 5 | 6 | 7 | 8 | 9 | 10 | 11 | 12 |
|------|------|------|------|------|------|-------|-------|-------|-------|-------|-------|
| L | 44.3 | 57.4 | 70.5 | 83.6 | 96.7 | 109.8 | 122.9 | 136 | 149.1 | 162.2 | 175.3 |
| L1 | 38.1 | 51.2 | 64.3 | 77.4 | 90.5 | 103.6 | 116.7 | 129.8 | 142.9 | 156 | 169.1 |

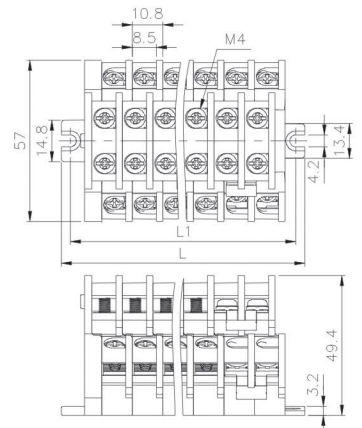
TBDN-10



$L = 21.3 + 8.6 * n$
 $L1 = 14.9 + 8.6 * n$
 $n = \text{Pole}$

| Pole | 2 | 3 | 4 | 5 | 6 | 7 | 8 | 9 | 10 | 11 | 12 |
|------|------|------|------|------|------|------|------|------|-------|-------|-------|
| L | 38.5 | 47.1 | 55.7 | 64.3 | 72.9 | 81.5 | 90.1 | 98.7 | 107.3 | 115.9 | 124.5 |
| L1 | 32.1 | 40.7 | 49.3 | 57.9 | 66.5 | 75.1 | 83.7 | 92.3 | 100.9 | 109.5 | 118.1 |

TBDN-20

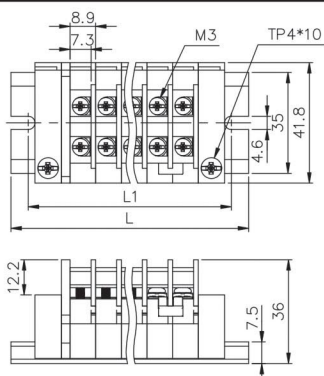


$L = 21.3 + 10.8 * n$
 $L1 = 14.9 + 10.8 * n$
 $n = \text{Pole}$

| Pole | 2 | 3 | 4 | 5 | 6 | 7 | 8 | 9 | 10 | 11 | 12 |
|------|------|------|------|------|------|------|-------|-------|-------|-------|-------|
| L | 42.9 | 53.7 | 64.5 | 75.3 | 86.1 | 96.9 | 107.7 | 118.5 | 129.3 | 140.1 | 150.9 |
| L1 | 36.5 | 47.3 | 58.1 | 68.9 | 79.7 | 90.5 | 101.3 | 112.1 | 122.9 | 133.7 | 144.5 |

DIMENSIONS

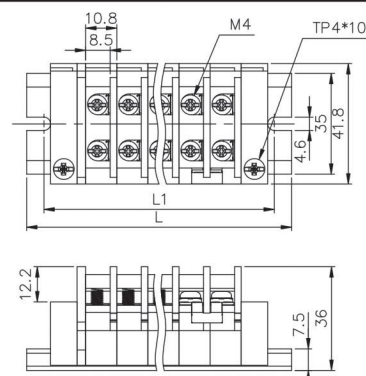
TBRN-10



L=38+8.9*n
L1=22.5+8.9*n
n=Pole

| Pole | 2 | 3 | 4 | 5 | 6 | 7 | 8 | 9 | 10 | 11 | 12 |
|------|------|------|------|------|------|-------|-------|-------|-------|-------|-------|
| L | 55.8 | 64.7 | 73.6 | 82.5 | 91.4 | 100.3 | 109.2 | 118.1 | 127 | 135.9 | 144.8 |
| L1 | 40.3 | 49.2 | 58.1 | 67 | 75.9 | 84.8 | 93.7 | 102.6 | 111.5 | 120.4 | 129.3 |

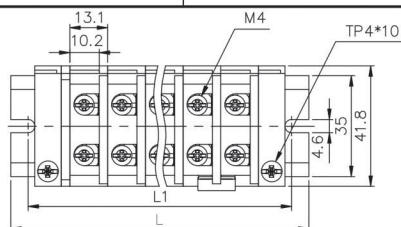
TBRN-20



L=38+10.8*n
L1=22.5+10.8*n
n=Pole

| Pole | 2 | 3 | 4 | 5 | 6 | 7 | 8 | 9 | 10 | 11 | 12 |
|------|------|------|------|------|-------|-------|-------|-------|-------|-------|-------|
| L | 59.6 | 70.4 | 81.2 | 92 | 102.8 | 113.6 | 124.4 | 135.2 | 146 | 156.8 | 167.6 |
| L1 | 44.1 | 54.9 | 65.7 | 76.5 | 87.3 | 98.1 | 108.9 | 119.7 | 130.5 | 141.3 | 152.1 |

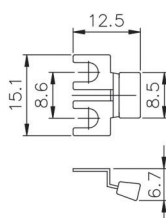
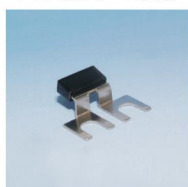
TBRN-30



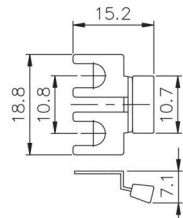
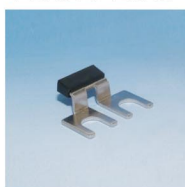
L=38+13.1*n
L1=22.5+13.1*n
n=Pole

| Pole | 2 | 3 | 4 | 5 | 6 | 7 | 8 | 9 | 10 | 11 | 12 |
|------|------|------|------|-------|-------|-------|-------|-------|-------|-------|-------|
| L | 64.2 | 77.3 | 90.4 | 103.5 | 116.6 | 129.7 | 142.8 | 155.9 | 169 | 182.1 | 195.2 |
| L1 | 48.7 | 61.8 | 74.9 | 88 | 101.1 | 114.2 | 127.3 | 140.4 | 153.5 | 166.6 | 179.7 |

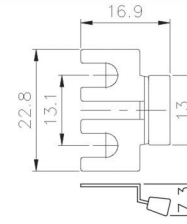
TBCN-10S



TBCN-20S



TBCN-30S

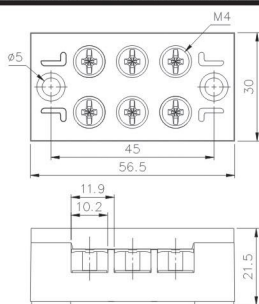


tend SOLID - TYPE TERMINAL BLOCKS

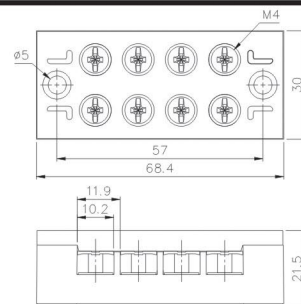
FEATURES

In assembly, there is no need to separate base from the cover or reverse loose the screws. Simply put a screwdriver through the hole on the cover to tighten the screws on the base. It makes wiring easier.

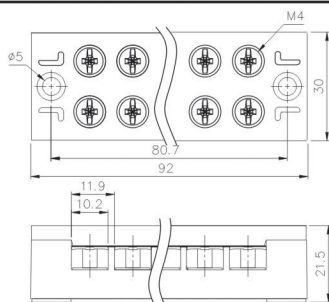
TB25-3N



TB25-4N



TB25-6N



TB25-12N

