



Busbar Insulators 25 – 76 mm

- Glass Reinforced polyester
- Brass Hexagonal Threaded Inserts – deeper grooves for firmer bonding to insulators.
- Insulators comply to Glow Wire Test 960°C



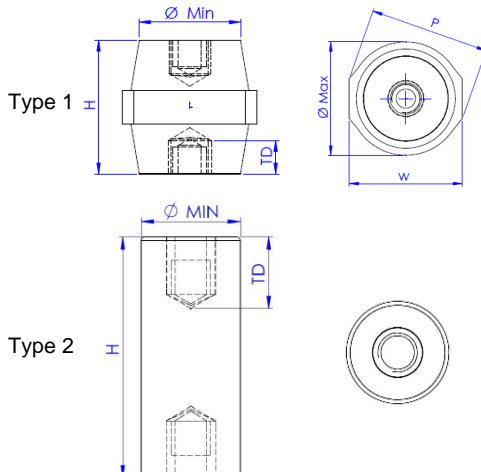
Overall Height	
25	25mm
30	30mm
35	35mm
40	40mm
51	51mm
63	63mm
76	76mm

Brass Thread Size	
M5	5mm
M6	6mm
M8	8mm
M10	10mm
M12	12mm

Properties

Properties	
Manufacturer	Netect
Product Range	Eureka Busbar Insulators
Material	Glass Reinforced Polyester
Specific Gravity	1.8 - 1.9
Tensile Strength	400 - 425 Kg
Compression Strength	1100 - 1250 Kg/cm ²
Flexural Strength	700 Kg/cm ²
Impact Strength	18 - 22 Kg/cm ²
Breakdown Voltage	11 kV/mm
Arc Resistance	180 seconds
Track Resistance	1000 Volts
Water Absorption	<0.2
Surface Resistivity Log 10 Ohms	12 cm
Volume Resistivity Log 10 Ohms	13 cm
Standards Compliance	AS/NZS 61439.1 Clause 10.2.3.2

Dimensions



Part Number	Brass Thread Type	H/mm	W/mm	P/mm	Ø/mm	TD/mm	Maximum Torque/Nm	Drawing
SM-25-M5	M5	25	27	30	24	8	7	Type 1
SM-25-M6	M6	25	27	30	24	9	7	Type 1
SM-30-M8	M8	30	30	35	28	10	27	Type 1
SM-30-M10	M10	35	30	35	28	10	27	Type 1
SM-35-M8	M8	35	35	35	28	10	27	Type 1
SM-35-M10	M10	40	35	35	28	10	27	Type 1
SM-40-M8	M8	40	40	42	34	10	27	Type 1
SM-40-M10	M10	51	40	42	32	10	27	Type 1
SM-51-M8	M8	51	51	38	30	15	27	Type 1
SM-51-M10	M10	51	51	38	30	17	27	Type 1
SM-51-M12	M12	63	51	38	30	16	27	Type 1
SM-63-M10	M10	76	63	26	26	17	27	Type 2
SM-76-M8	M8	76	76	51	34	15	27	Type 1
SM-76-M10	M10	76	76	51	34	16	27	Type 1
SM-76-M12	M12	76	76	55	34	15	27	Type 1