

Catalogue number: **RCT**□-□□□□

Rishabh Solid Core Current Transformer 30-2500A, 5A Secondary

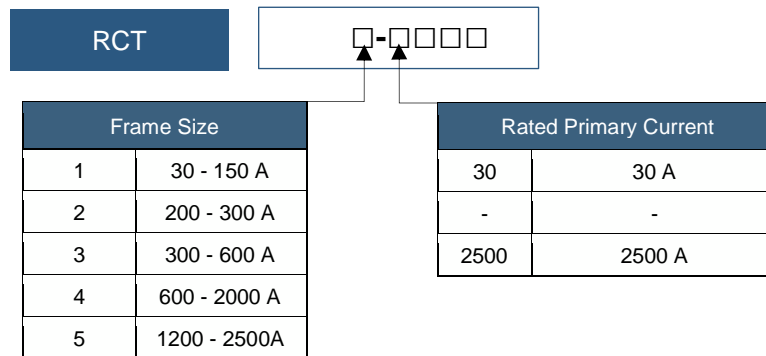
eureka*

N.A.W.
CONTROLS



Solid Core CT 30-2500A

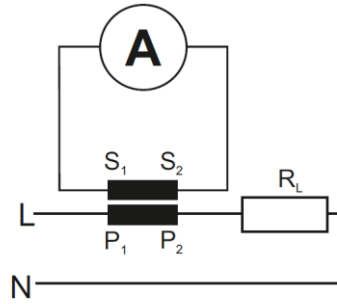
- Wide range of System Current Ratings
- Hinged Terminal Covers
- Degree of Protection; IP20
- Rated Secondary Output; 5A
- Case; Flame retardant Graded Classified UL 94V-0
- CE Approved Class Accuracy; 0.5 and 1
- Applicable Standards; IEC-61869-1&2 / IEC- 60044 -1



Properties

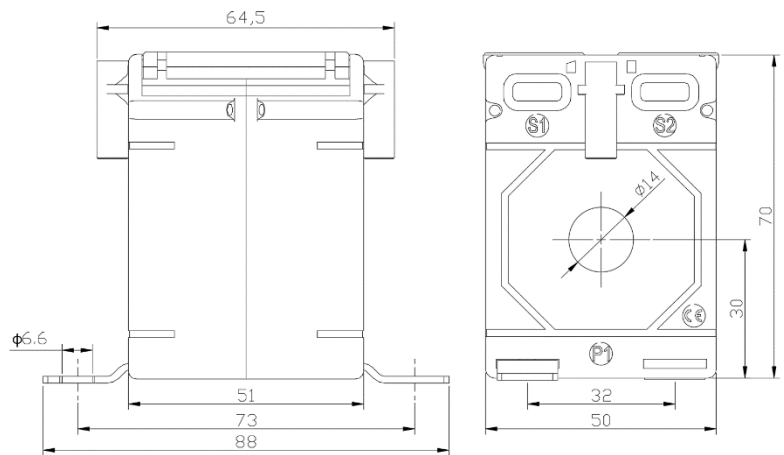
Properties	
Manufacturer	RISHABH
Product Range	Solid Core CTs
System Voltage	720V Maximum
Operating frequency	50Hz / 60 Hz
Rated Primary Rating	30 - 2500 A
Rated Secondary Rating	5A
Class Accuracy	0.5 and 1
Rated Continuous Thermal Current	1.2 x In
Rated Short-Circuit Thermal Current, Ith	60 x In, 1s (Max 40kA)
Tested Insulation	3KV 50 Hz for 1 min
Insulation Class	E (120°C max)
Case	10% Glass Filled Polycarbonate Flame Retardant Grade Classified UL 94V-0
Ambient temperature	25°C to +40°C
Storage temperature	50°C to +80°C
Instrument Security Factor (FS)	2.5, 5, 10
Degree of Protection	IP20
Degree of Pollution	2

Wiring Diagram



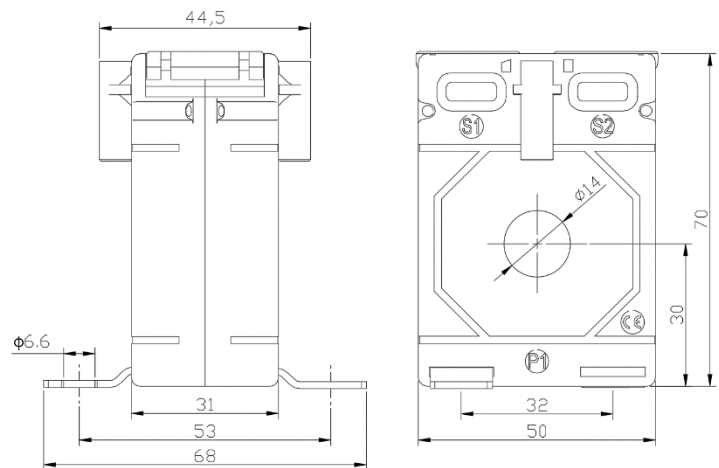
Dimensions and Rated Burden for RCT1-30

Part Number	Rated Burden	
	Class 1	VA
RCT1-30		1



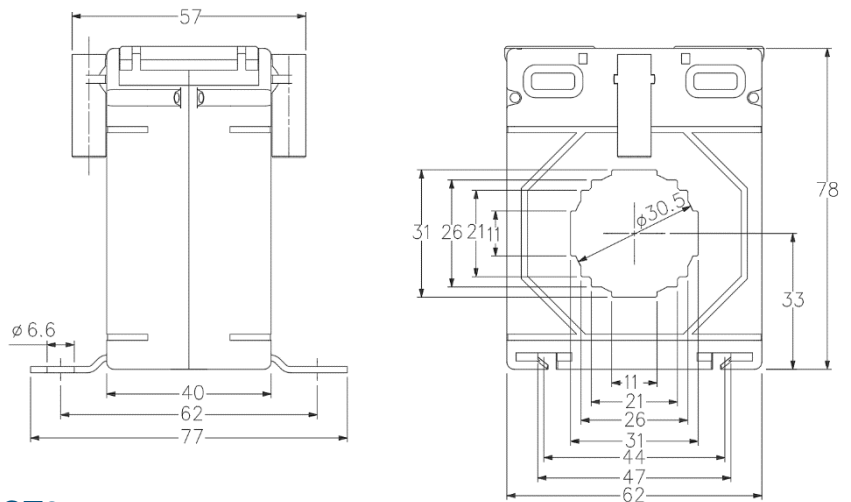
Dimensions and Rated Burden for RCT1-40

Part Number	Rated Burden	
	Class 1	VA
RCT1-40		1



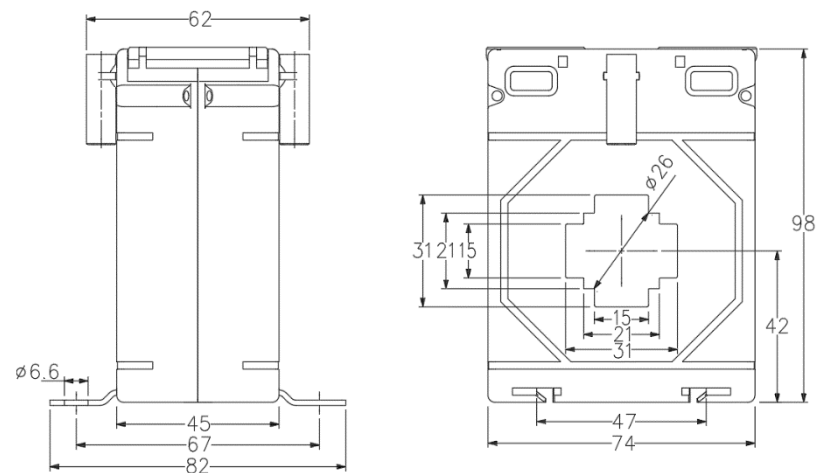
Dimensions and Rated Burden for RCT1-□□□

Part Number	Rated Burden	
	Class 0.5 VA	Class 1 VA
RCT1-50		1.25
RCT1-60		1.5
RCT1-75		2.5
RCT1-80		2
RCT1-100	1.5	3.75
RCT1-120	2.5	3.75
RCT1-125	2.5	3.75
RCT1-150	3.75	5



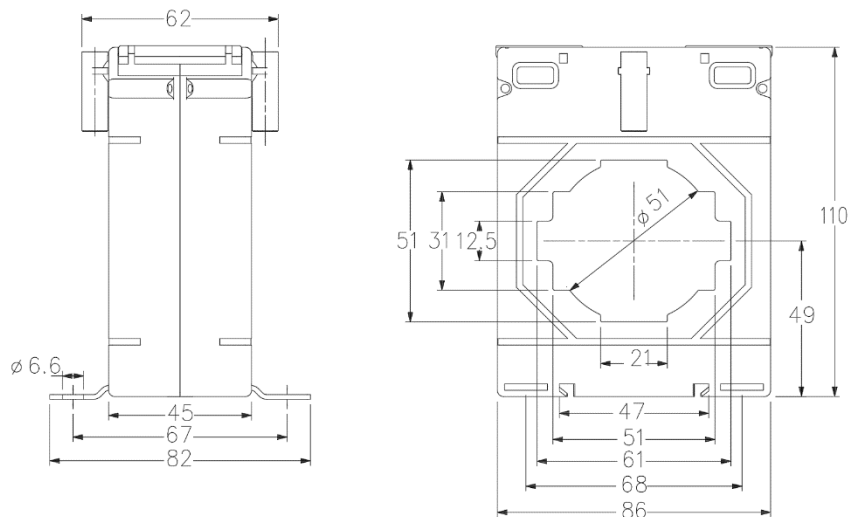
Dimensions and Rated Burden for RCT2-□□□

Part Number	Rated Burden	
	Class 0.5 VA	Class 1 VA
RCT2-200	1.5	3.75
RCT2-250	2.5	5
RCT2-300	5	7.5



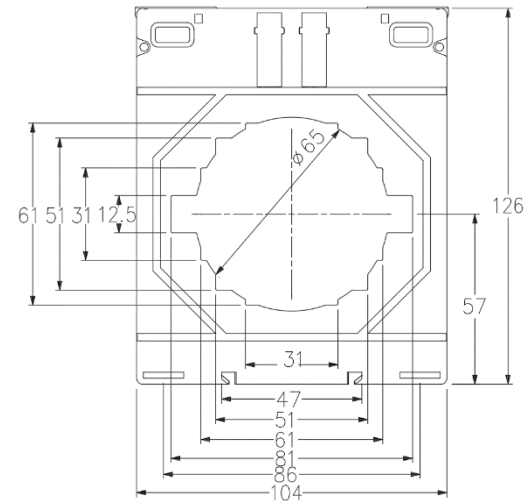
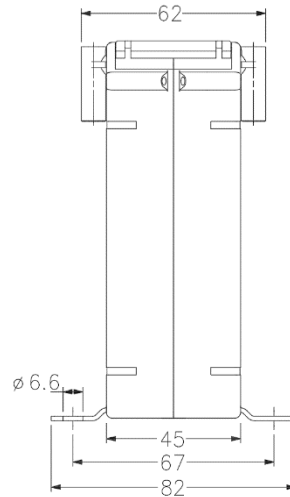
Dimensions and Rated Burden for RCT3-□□□

Part Number	Rated Burden	
	Class 0.5 VA	Class 1 VA
RCT3-300	5	7.5
RCT3-400	10	12.5
RCT3-500	10	15
RCT3-600	15	15



Dimensions and Rated Burden for RCT4-□□□□

Part Number	Rated Burden	
	Class 0.5 VA	Class 1 VA
RCT4-600	10	12.5
RCT4-750	15	15
RCT4-800	15	15
RCT4-1000	20	30
RCT4-1200	20	30
RCT4-1250	20	30
RCT4-1500	20	30
RCT4-1600	20	30
RCT4-2000	20	30



Dimensions and Rated Burden for RCT5-□□□□

Part Number	Rated Burden	
	Class 0.5 VA	Class 1 VA
RCT5-1200	15	30
RCT5-1250	15	30
RCT5-1500	20	30
RCT5-1600	20	45
RCT5-2000	45	45
RCT5-2500	45	45

