

Catalogue number: **PLS/PL1**□□□□□□
PLA3PH□□□, **SCO**□□□□□□

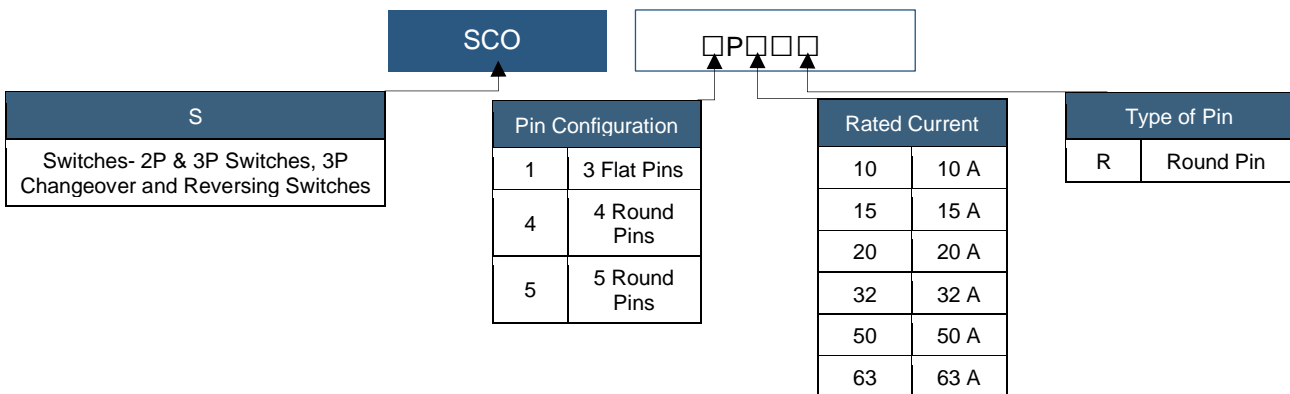
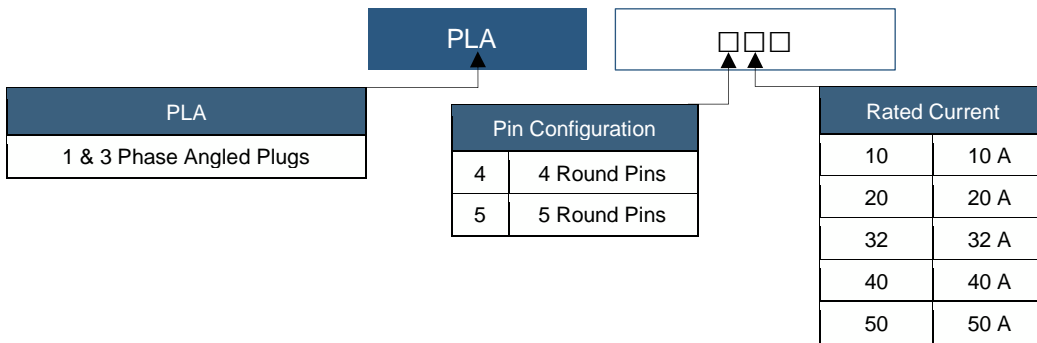
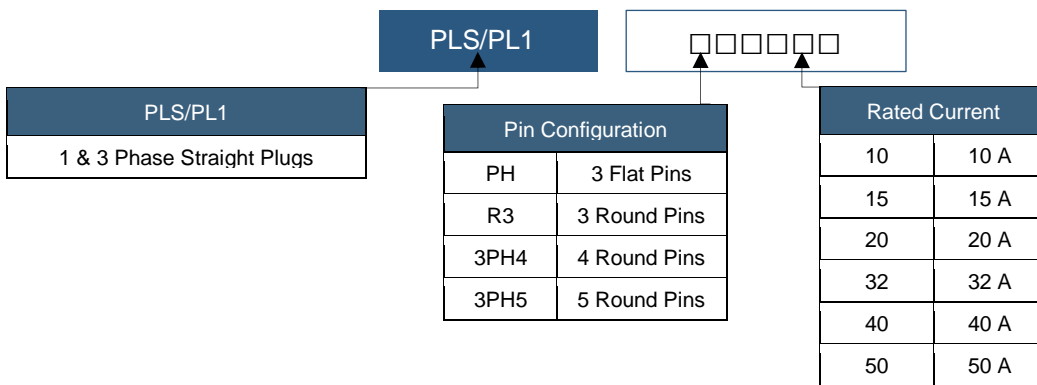


GEN3 1 Phase and 3 Phase Straight and Angled Plugs,
 1 Phase and 3 Phase Extension Sockets

GEN3 Plugs and Extension Sockets



- Combination from 10 to 50A
- Available in 3, 4 and 5 Pin
- IP Rating; IP66
- Made from PCA 18 virgin grade plastics
- All internal connections have greater than 80% Copper content, which helps with the heat rise.
- Compatible with other major brands
- Standards; Conforming to AS/NZS 3123:2005
- Approval: RCM



Catalogue number: **PLS/PL1**□□□□□□
PLA3PH□□□, **SCO**□□□□□□

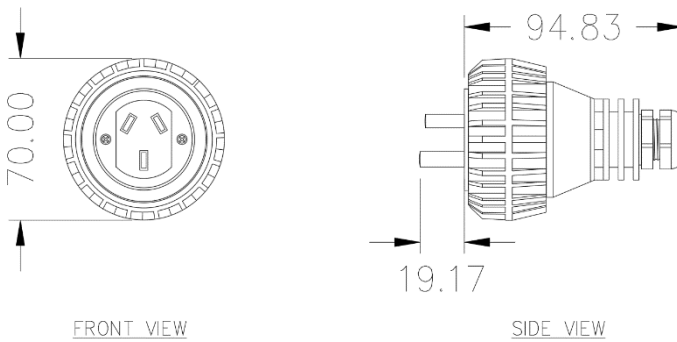


GEN3 1 Phase and 3 Phase Straight Plugs, 1 Phase and 3 Phase Extension Sockets

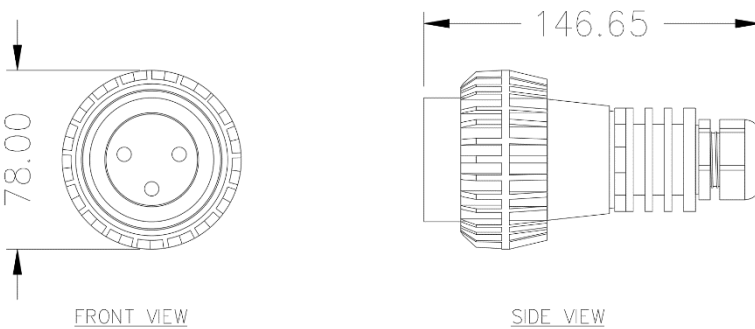
Properties

Properties	
Manufacturer	GEN3
Product Range	GEN3 Industrial Switches and Plug Sets
IP Rating	IP66
Rated Current	10 - 50 A
Rated Voltage	250 V (1 Phase), 500 V (3 Phase)
Standards	AS/NZS 3123:2005

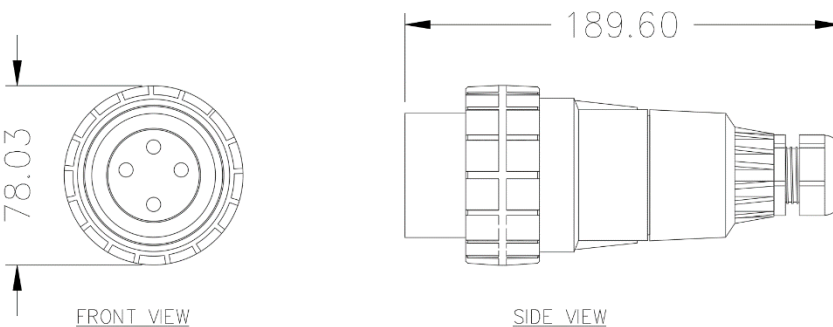
Dimensions for PL1PH□□



Dimensions for PLSR□□□



Dimensions for PLSR□□□□

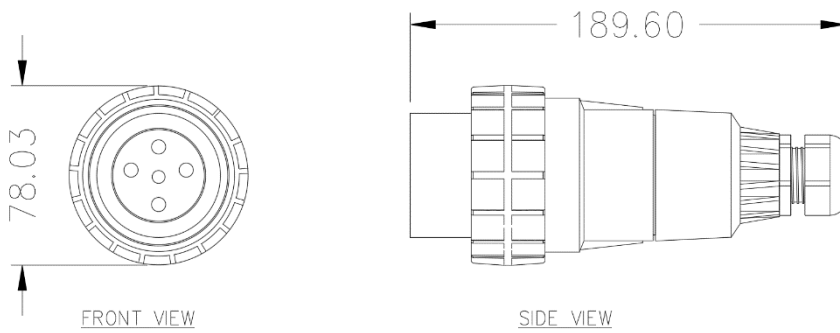


Catalogue number: **PLS/PL1**□□□□□□
PLA3PH□□□, **SCO**□□□□□□

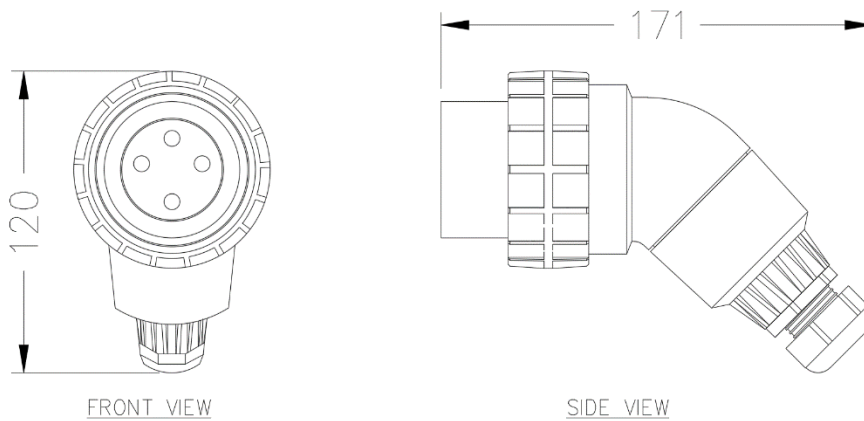


GEN3 1 Phase and 3 Phase Straight Plugs, 1 Phase and 3 Phase
Extension Sockets

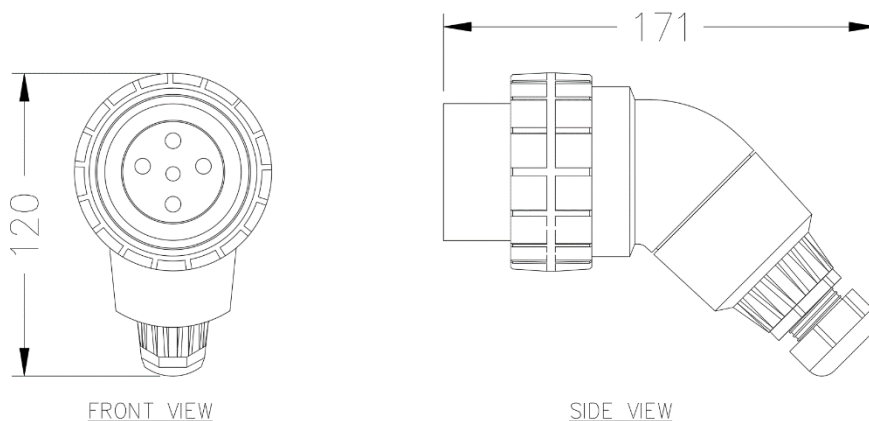
Dimensions for PLSR□□□



Dimensions for PLA3PH4□□



Dimensions for PLA3PH4□□

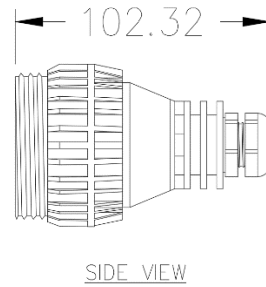
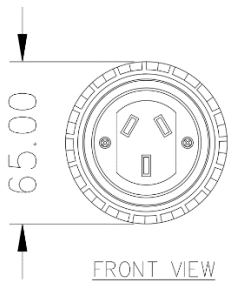


Catalogue number: **PLS/PL1**□□□□□□
PLA3PH□□□□, **SCO**□□□□□□

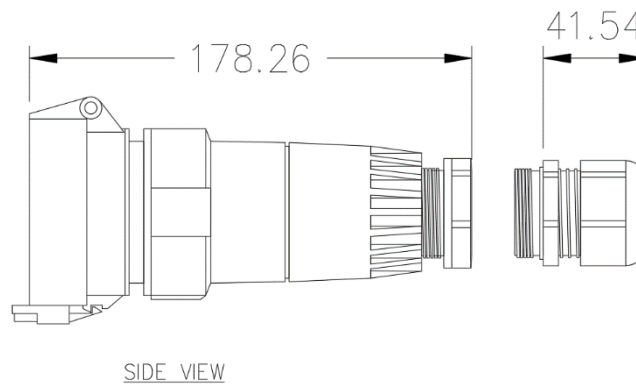
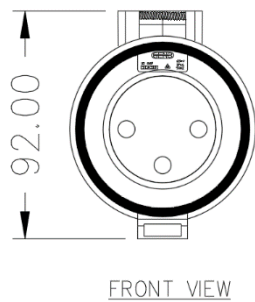


GEN3 1 Phase and 3 Phase Straight Plugs, 1 Phase and 3 Phase Extension Sockets

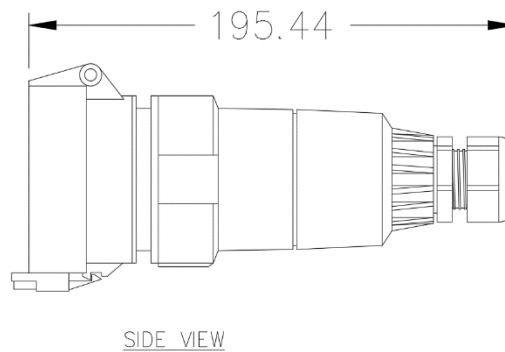
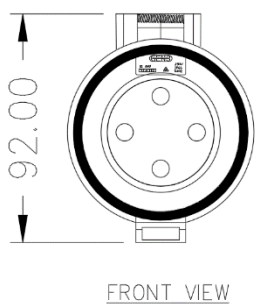
Dimensions for SCO1P□□



Dimensions for SCO3P□□□



Dimensions for SCO4P□□□



Dimensions for SCO4P□□□

