

Catalogue number: **PL22-□□□□**

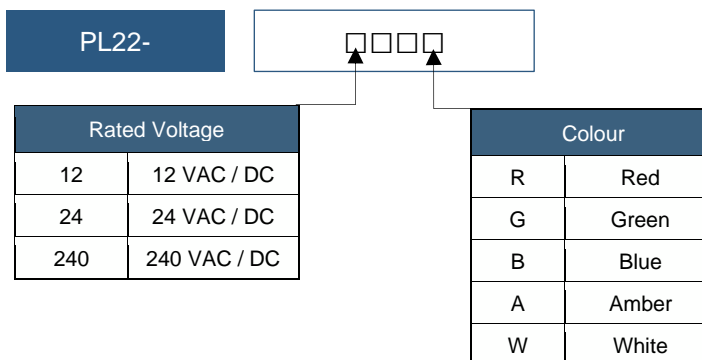


PL22 Eureka Economy Indicator Lights



PL22 Eureka Economy Indicator Lights

- Degree of Protection; IP65
- 24VAC / DC or 240VAC
- Available also in 12VAC / DC
- Temperature and Heat Resistant
- Available in either Red, Green, Blue, Amber or White.
- With LED Cluster indicator and a solid lock ring
- EMC Compliant to AS/NZ 61439



Properties	
Manufacturer	Eureka
Product Range	PL22 LED Indicator Lights
Degree of Protection	IP65
Power Frequency withstand voltage	2.5kV / 1 min (AC Value)
Insulation Resistance	2M Ω
Allowable Voltage Fluctuation	± 20 %
Continuous Operating Life	60,000 Hrs+
Brightness	100 cd / m ²
Rated Voltage	12, 24, 240 VAC/DC
Frequency	AC 50 / 60 Hz
Ambient Temperature	-25°C to + 55°C

Dimensions for PL22 LED Indicator Lights

