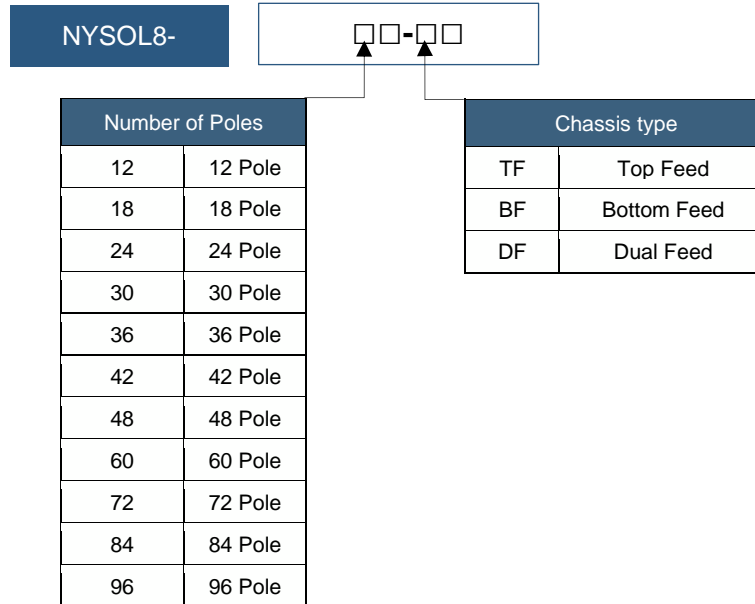




250A 3 Phase Disconnect Style Chassis

- Current Rating: 250A
- Encapsulated Busbar
- Withstand Rating 250A 36kA 0.1s, 10kA 1s
- 18 mm Pitch
- Tee offs insulated and isolated from the busbar by an interlocked isolating switch.
- Standards: AS/NZS 3439, AS 60529, IEC 61439.1 & 61439.2
- Available in Dual Feed, Top Feed or Bottom Feed.



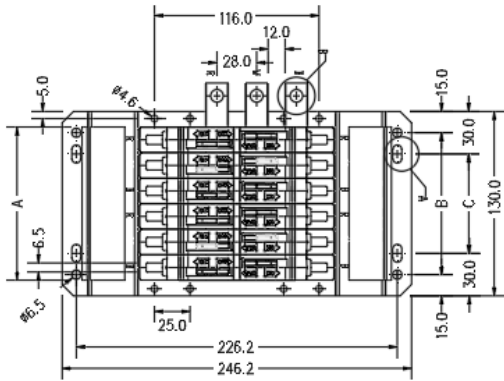
Properties	
Manufacturer	Nysol
Product Range	Eureka Nysol8 Disconnection Chassis
Chassis Type	Encapsulated 250A Disconnection Chassis
Compatible Product Series	MCB's : LSBE and LSBS RCBO's : LSSO and LSTO
Busbar Thickness	6.35mm Cu
Pitch	18mm
Rated Current	In 250A
Rated Operating Voltage	Un 415V
Rated Insulation Voltage	Ui 440V
Rated withstand Impulse Voltage	Uimp 4kV
Rated Frequency	50/60HZ
Rated Short-time withstand Current	Icw 0.1s 36kA 1s 10kA
Rated Peak withstand Current	Ipk 63kA
Rated Diversity Factor	0.8
Standard Compliance	AS/NZS 3439 AS/NZS 61439.2 AS/NZS IEC 60947.3 AS/NZS 3000

Catalogue number: **NYSOL8-□□-□□**

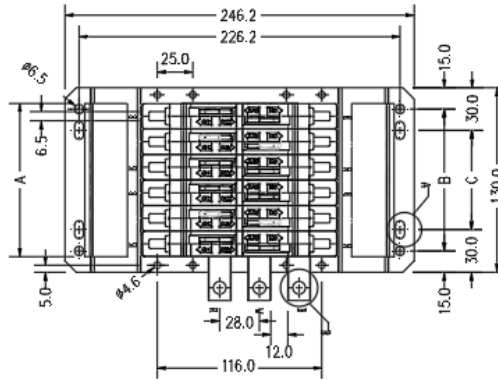
Nysol 250A 3 Phase Disconnect Style Chassis 18mm Pitch



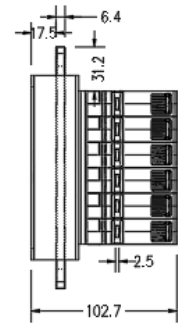
Dimensions for NYSOL8-TF, BF, DF



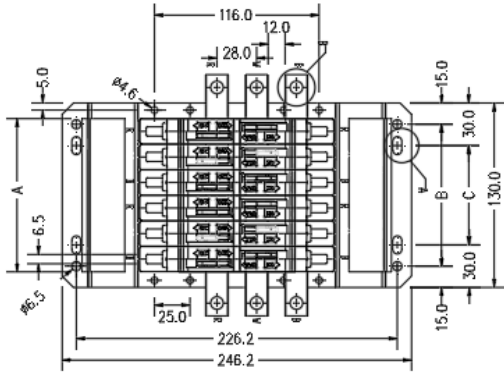
TOP FEED
TOP VIEW



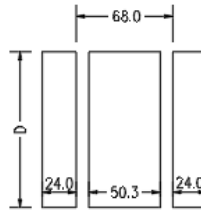
BOTTOM FEED
TOP VIEW



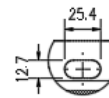
SIDE VIEW



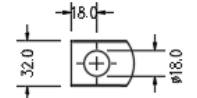
DUAL FEED
TOP VIEW



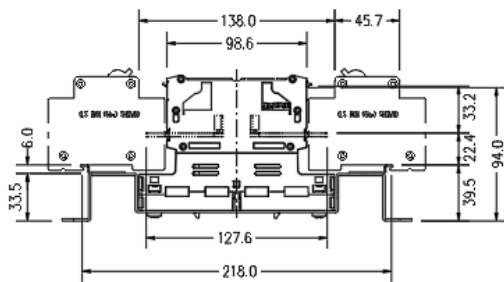
ESCUTCHEON CUTOUT



DETAIL A



DETAIL B



FRONT VIEW
BREAKERS ATTACHED

Part No.	A	B	C	D
NYSOL8-12- TF, BF, DF	108	100	70	109.7
NYSOL8-18- TF, BF, DF	162	154	124	163.7
NYSOL8-24- TF, BF, DF	216	208	178	217.7
NYSOL8-30- TF, BF, DF	270	262	232	271.7
NYSOL8-36- TF, BF, DF	324	316	286	325.7
NYSOL8-42- TF, BF, DF	378	370	340	379.7
NYSOL8-48- TF, BF, DF	432	424	394	433.7
NYSOL8-60- TF, BF, DF	540	532	502	541.7
NYSOL8-72- TF, BF, DF	648	640	610	649.7
NYSOL8-84- TF, BF, DF	756	748	718	757.7
NYSOL8-96- TF, BF, DF	864	856	826	865.7

