

Rear Connection Studs



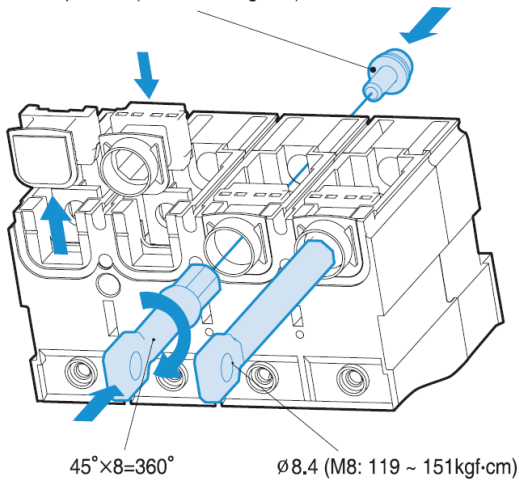
- Rear connection terminals are used to adapt Susol TD and TS circuit breakers to switchboards or other applications that require rear connection.
- These can be connected directly to circuit breakers without any modification

Part Number	Description	Suitable MCCB
LS-RTB23-TS	Rear connection Studs	TS100/160/250
LS-RTB33-TS	Rear connection Studs	TS400/630
LS-RTB43-TS	Rear connection Studs	TS800

Installation Instructions

TD160, TS250

BOLT, HEX, SOCKET, P.S/W, M6, L15
Torque: M6 (51.1 ~ 64.9kgf-cm)

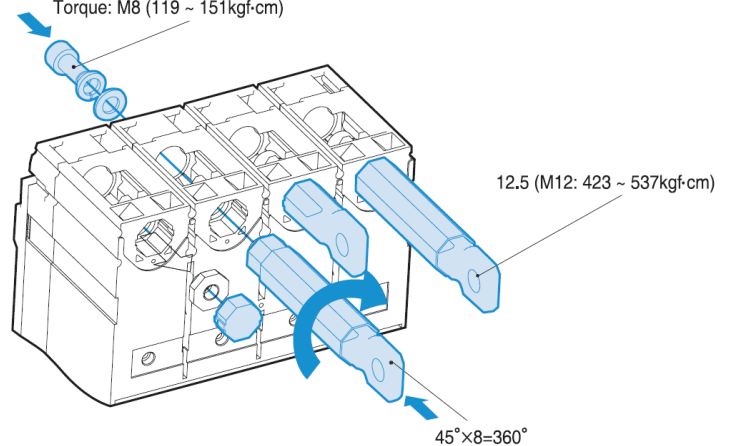


TS630

BOLT, HEX, SOCKET, P.S/W, M8, L20
WASHER SPRONG LOCK D10
WASHER PLAIN D10
Torque: M8 (119 ~ 151kgf-cm)

TS800

BOLT, HEX, SOCKET, P.S/W, M12, L35
Torque: M12 (423 ~ 537kgf-cm)

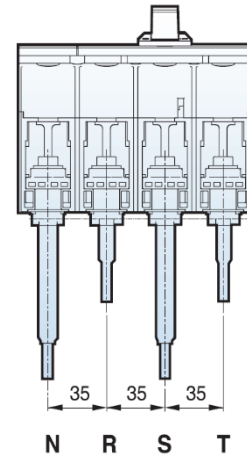
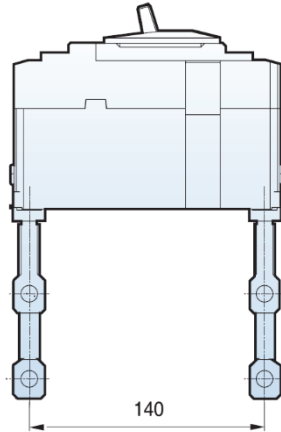


Catalogue number: **LS-RTB□-TS**

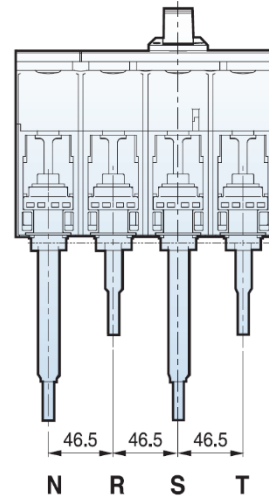
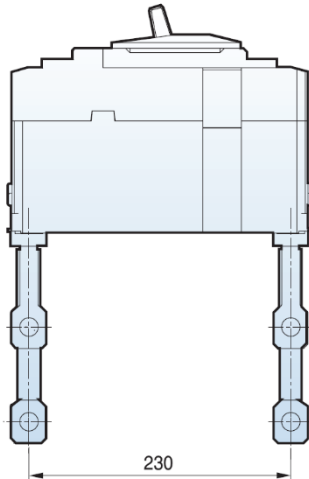
Rear Connection Studs



Mounting Dimensions for TS100/160/250



Mounting Dimensions for TS400/630



Mounting Dimensions for TS800

