

Mechanical Interlock

The mechanical interlock (MIT) can be applied on the front of two breakers mounted side by side, in either the 3-pole or 4-pole version and prevents simultaneous closing of the two breakers.



Fixing is carried out directly on the cover of the breakers.

The front interlocking plate allows installation of a padlock to fix the position. (possibility of locking in the O-O position as well)

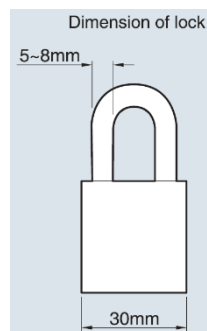
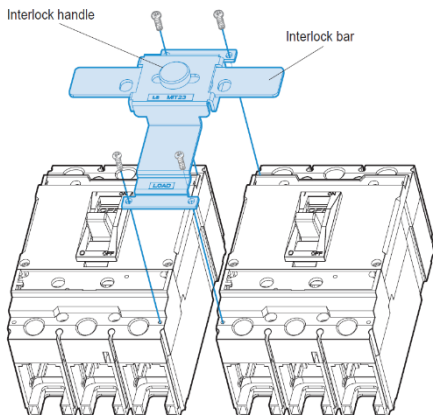
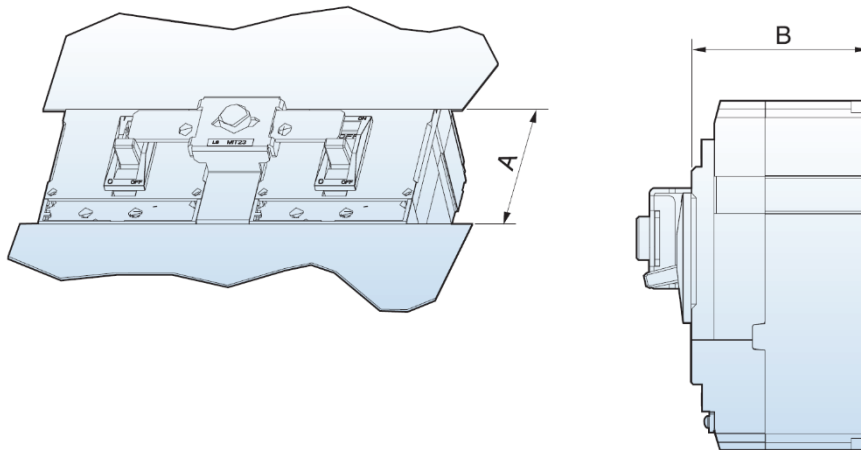
This mechanical interlocking device is very useful and simple for consisting of manual source-changeover system.

Mechanical Interlock Part Numbers

Part Number	Description	Suitable MCCB
LS-MIT23-TS	Mechanical Interlock Assembly	TS100/160/250
LS-MIT33-TS	Mechanical Interlock Assembly	TS400/630
LS-MIT43-TS	Mechanical Interlock Assembly	TS800
LS-MIT53-TS	Mechanical Interlock Assembly	TS1000/1250/1600

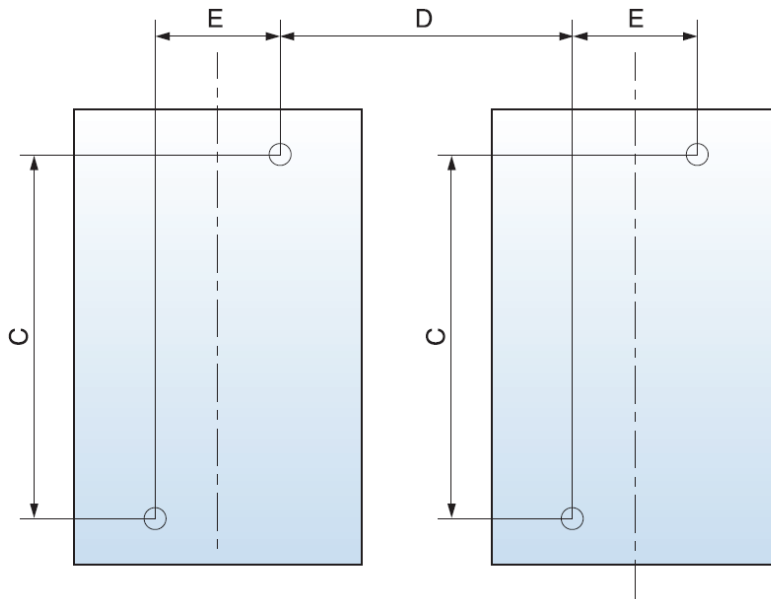
Mechanical Interlock for TS100-800

[mm]



	A(mm)	B(mm)
TS100/160/250	102	86
TS400/630	168	110
TS800	201	135

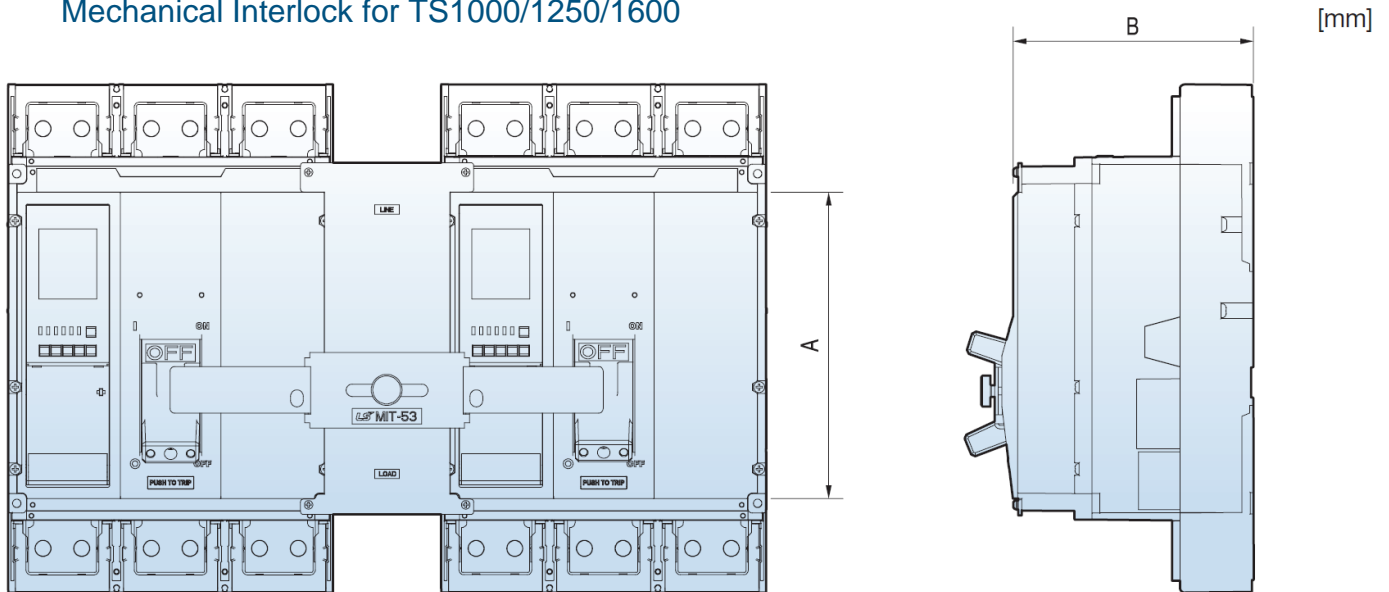
Mounting Dimensions for installation



3 Pole MCCBs	C(mm)	D(mm)	E(mm)
TS100/160/250	125	105	35
TS400/630	200	139.5	46.5
TS800	278	210	70

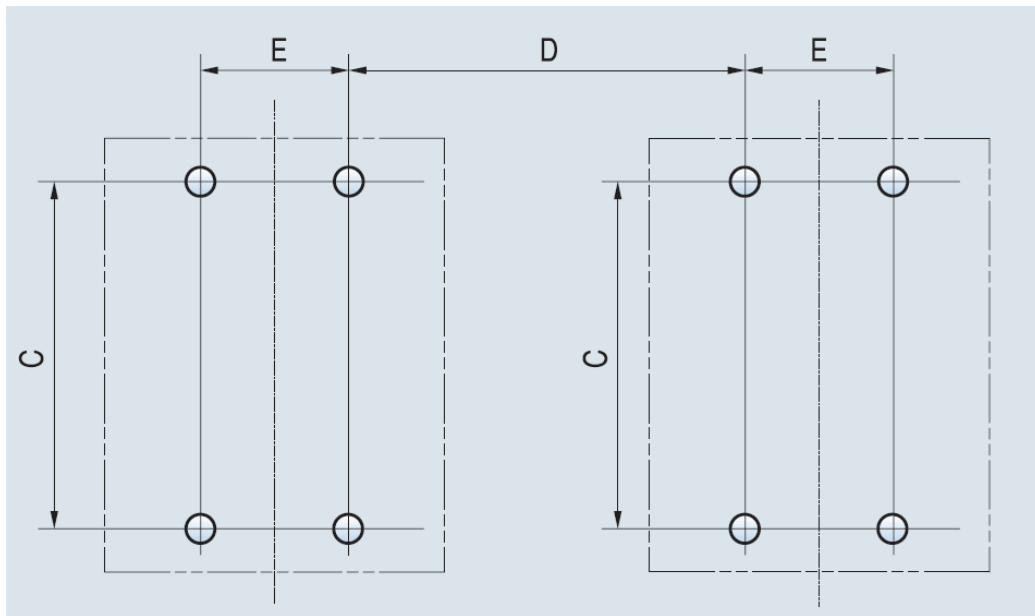
4 Pole MCCBs	C(mm)	D(mm)	E(mm)
TS100/160/250	125	105	70
TS400/630	200	139.5	93
TS800	278	210	140

Mechanical Interlock for TS1000/1250/1600



	A(mm)	B(mm)
TS1000/1250/1600	212	155.5

Mounting Dimensions for installation



3 Pole	A(mm)	B(mm)	B(mm)
TS1000/1250/1600	212	155.5	155.5

4 Pole	A(mm)	B(mm)	B(mm)
TS1000/1250/1600	212	155.5	155.5