



Busbar connections and Lug terminal

vertical connections adaptor can be used for edgewise bar connections and spreader to increase the pole pitch to 95mm.

Lug Terminals are used to connect four 85 to 240mm² copper or aluminium cables for each phase.

Extension busbar connections are used for extending connection between the busbar and the rear it is also used to

Part Number	Description	Suitable MCCB
LS-VBC53A-TS	Connection between vertical busbars and rear connections	TS1000/1250/1600
LS-EBC53A-TS	For extending connections between busbars and rear connections	TS1000/1250/1600
LS-LBC53A-TS	For connection of cables to rear	TS1000/1250/1600

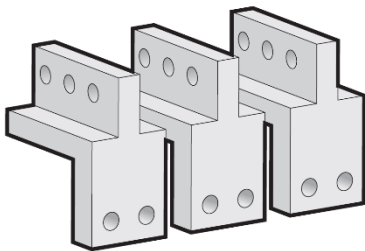


Figure 1 LS-VBC53A-TS

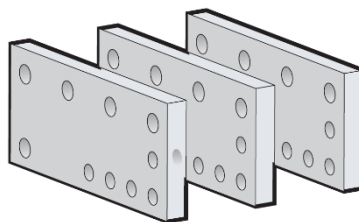


Figure 2 LS-EBC53A-TS

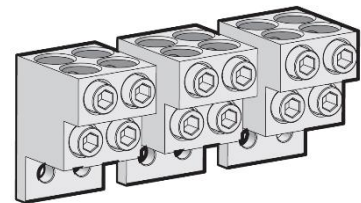
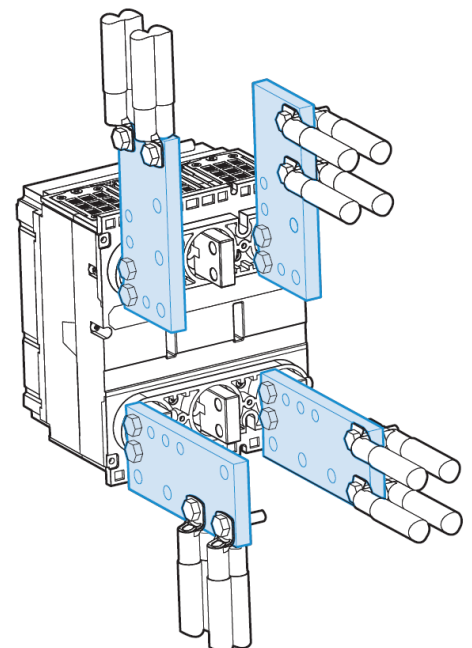
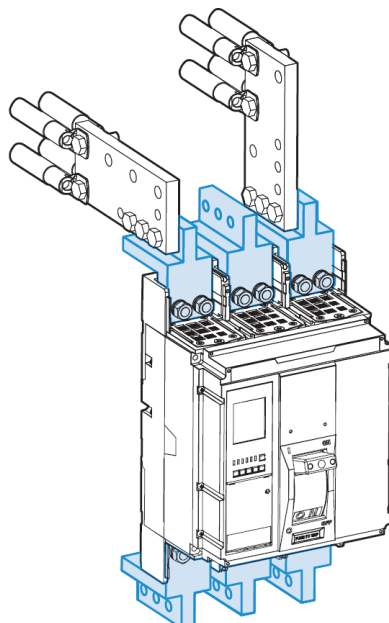
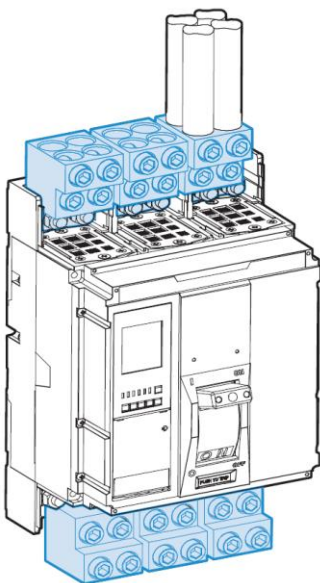


Figure 3 LS-LBC53A-TS

Connection Types



Dimensions for Vertical busbar and Extension busbar connection

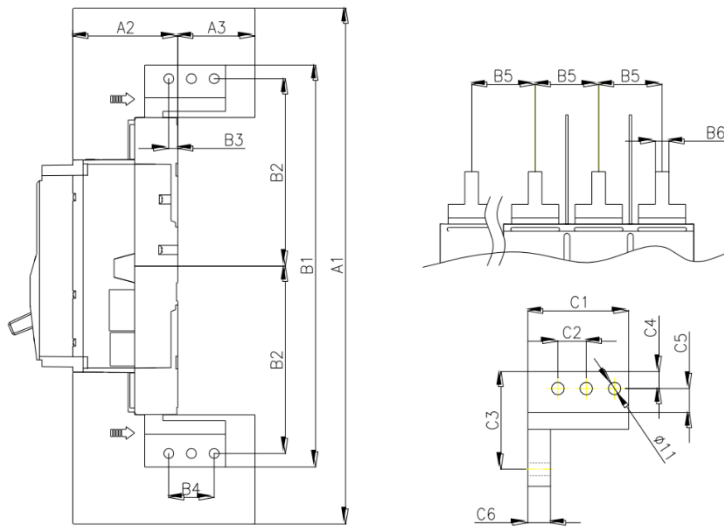


Figure 5 LS-VBC53A-TS Vertical busbar connection

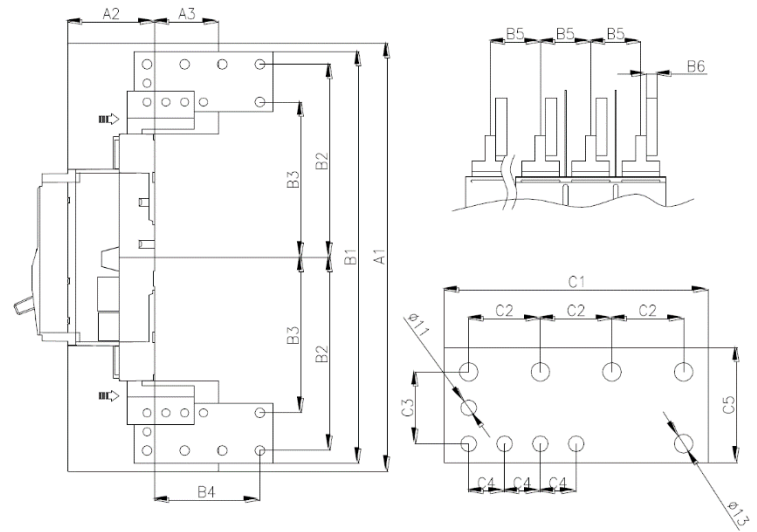


Figure 5 LS-EBC53-TS Extension Busbar Connection

Type	A1	A2	A3	B1	B2	B3	B4	B5	B6	C1	C2	C3	C4	C5	C6
LS-VBC53A-TS	567	115.7	85	442	206	10	50	70	15	89	25	86	15	21	20
LS-EBC53A-TS	567	115.7	85	546	256	206	140	70	15	184	50	50	25	80	-

Dimensions for Lug Terminal

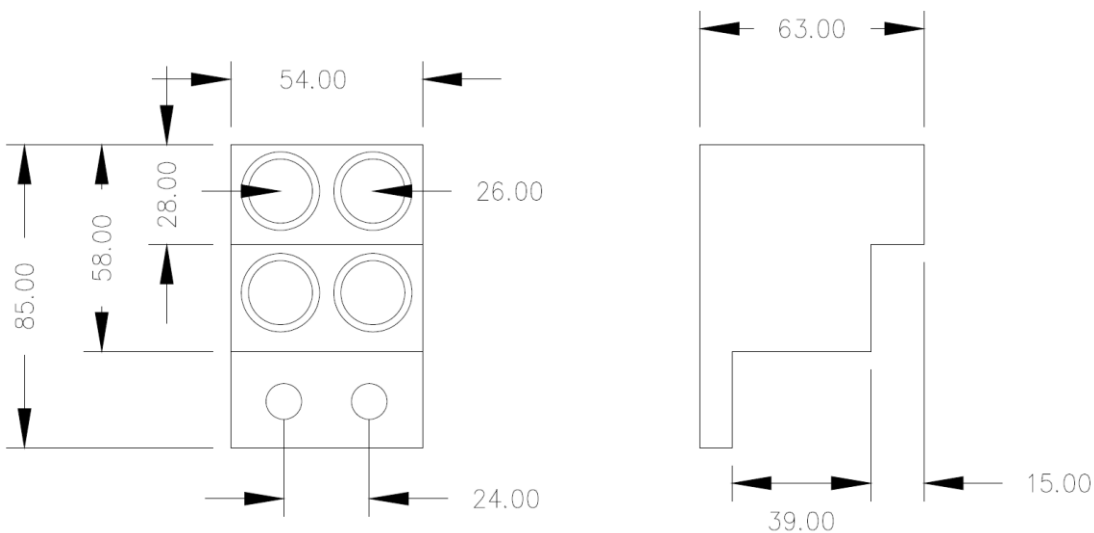


Figure 6 LS-LBC53A-TS