

Catalogue number: **LS-ITL□-TS**

LS-ITS□-TS

TERMINAL COVERS



Insulation terminal cover

The terminal covers are applied to the circuit-breaker to prevent accidental contact with live parts and thereby guarantee protection against direct contacts.

Two types by length are available:

Short type covers, ITS

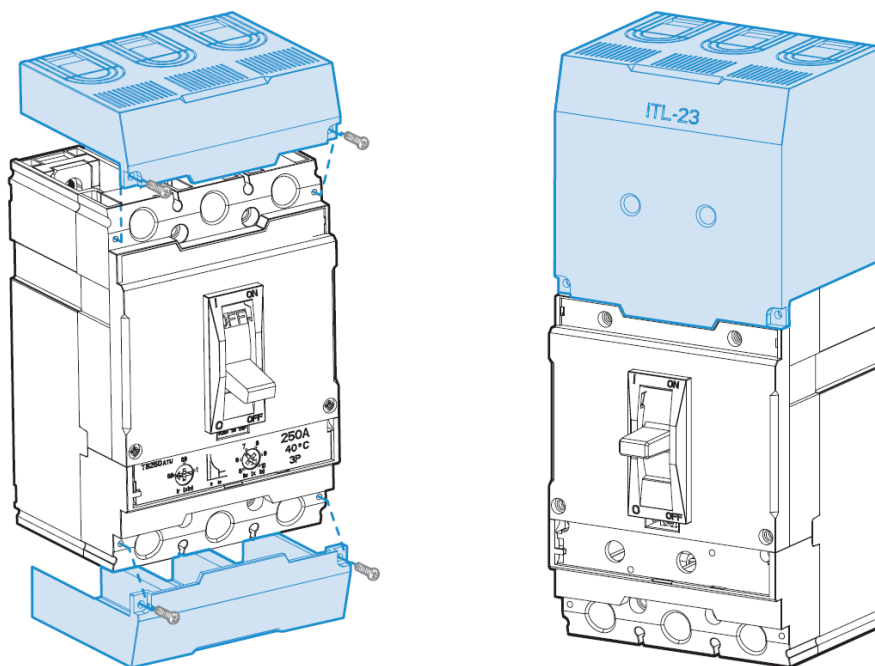
- IP40 degree of protection
- For fixed circuit-breakers with rear terminals and for moving parts of plug-in

Long type covers, ITL

- IP40 degree of protection
- For fixed circuit-breakers with front, front extended, front for cables terminals.

Terminal Cover Part Numbers

Part Number	Description	Suitable MCCB
LS-ITL23-TS	Terminal Cover Long type	TS100/160/250
LS-ITL33-TS	Terminal Cover Long type	TS400/630
LS-ITL43-TS	Terminal Cover Long type	TS800
LS-ITL53-TS	Terminal Cover Long type	TS1000/1250/1600
LS-ITS23-TS	Terminal Cover Short type	TS100/160/250
LS-ITS33-TS	Terminal Cover Short type	TS400/630
LS-ITS43-TS	Terminal Cover Short type	TS800



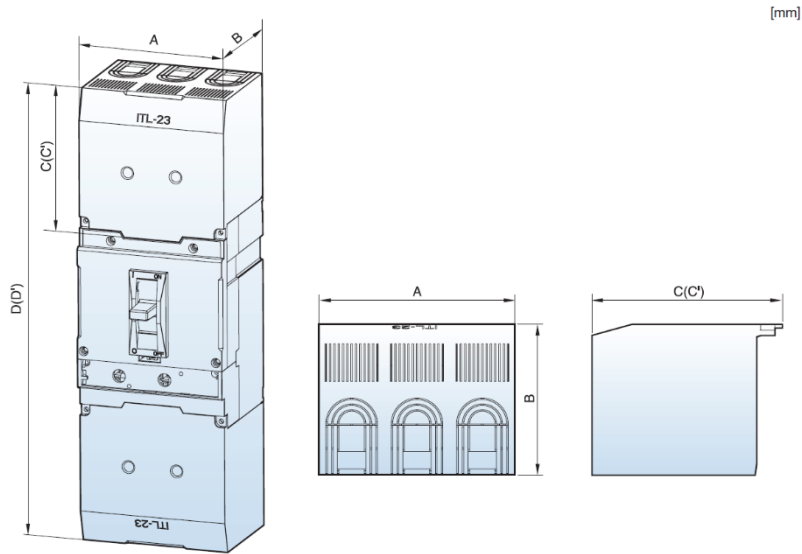
Catalogue number: **LS-ITL□-TS**

LS-ITS□-TS

TERMINAL COVERS

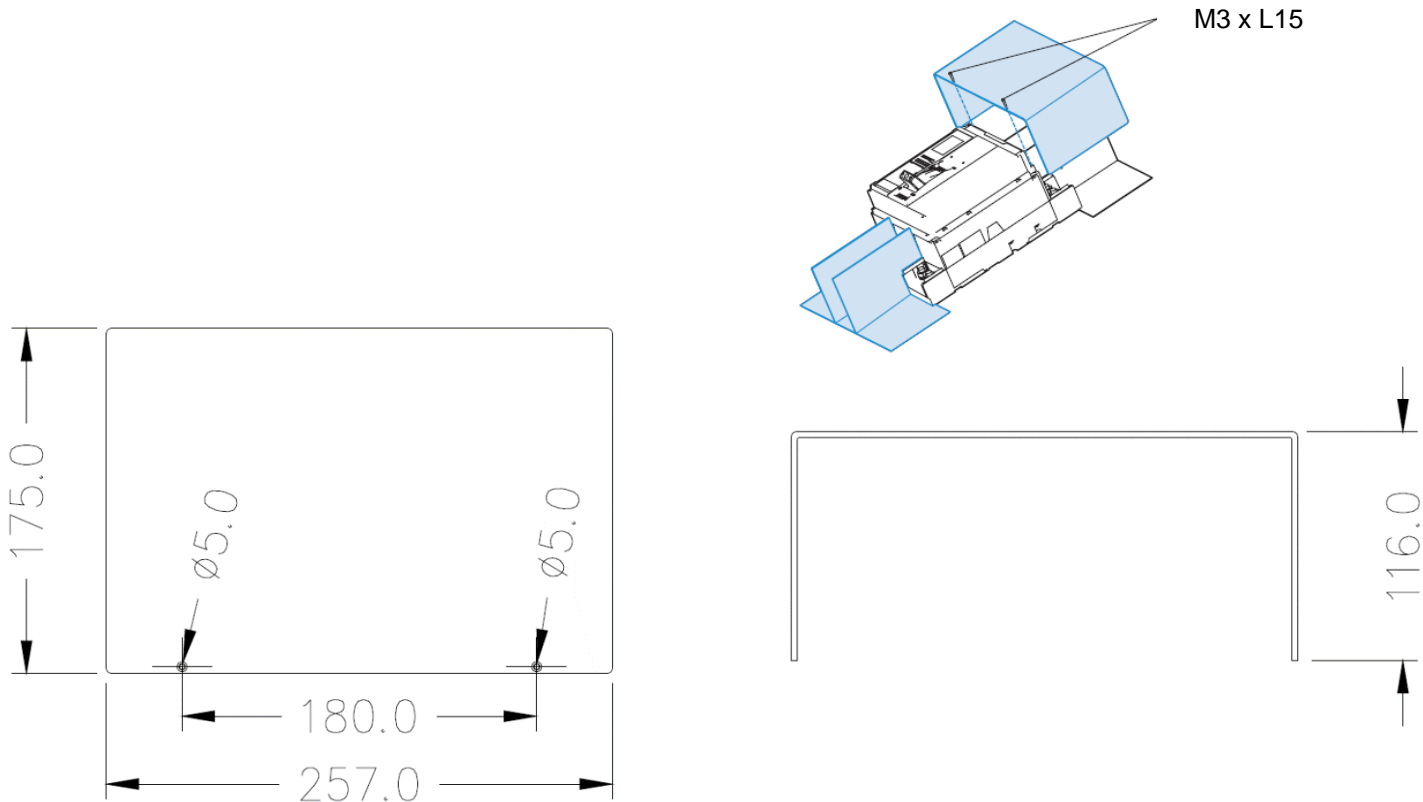


Dimensions for Terminal Covers TS100-800



MCCB Type	Poles	Long Type	Short Type	A	B	C (Long Type)	C' (Short Type)	D (Long Type)	D' (Short Type)
TS100/160/250	2P, 3P	ITL23	ITS23	105	80.8	102	36.3	321.4	190
TS400/630	2P, 3P	ITL33	ITS33	140	105	144.5	54.8	479.4	300
TS800	2P, 3P	ITL43	ITS43	210	127.8	181.5	61.5	600	360

Dimensions for Terminal Cover TS1000/1250/1600



N.A.W. Controls Pty. Ltd.
 Telephone: (03) 9464 6555
www.nawcontrols.com.au

LS MCCB TS Terminal covers
 June 2020