

Catalogue number: **LS-SP□-TS**

Terminal Spreader

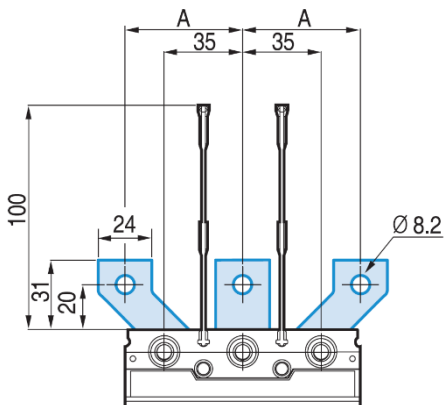


Terminal spreader

Terminal spreaders are used to adapt TS circuit breakers to switchboards or other applications that require an increased terminal pitch.

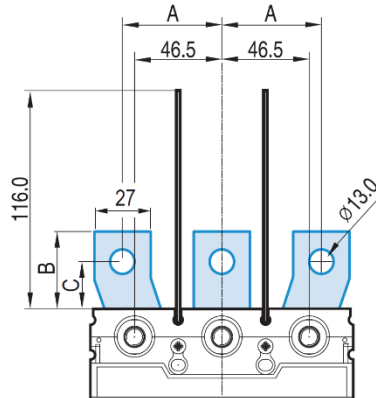
These can be connected directly to circuit breakers without any modification

**Dimensions for TS100/160/250  
LS-SP23-TS**



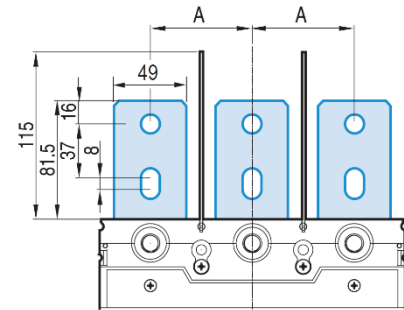
<b>Size A</b>
45 mm

**Dimensions for TS400/630  
LS-SP33-TS**



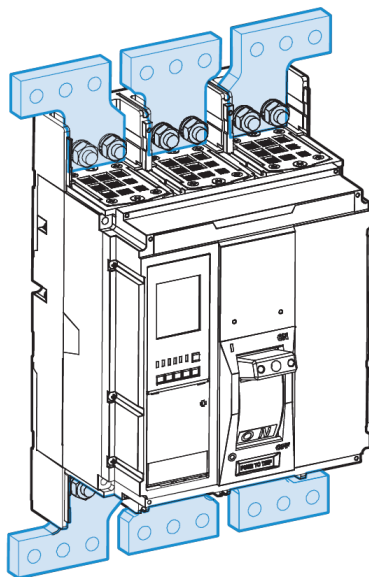
<b>Size A</b>	52.5 mm
<b>Size B</b>	41 mm
<b>Size C</b>	25 mm

**Dimensions for TS400/630  
LS-SP43-TS**

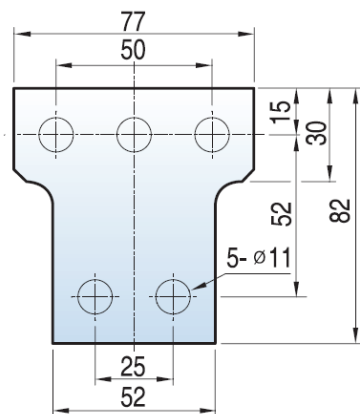


<b>Size A</b>
70 mm

**Dimensions for TS1000/1250/1600  
Part no.- LS-SP53A-TS**



**Middle busbar for  
3P**



**Left or right busbar  
for 3P**

