



ICM102



LTA240X480

Eureka Solid State Timers

- Function; Delay on Make, Delay on Break.
- Provides cost effective protection for Air Conditioners, Refrigeration and Heat Pump equipment from damage caused by rapid short cycling of compressors.
- Provides true thermostat interruption protection
- Simple series load connection

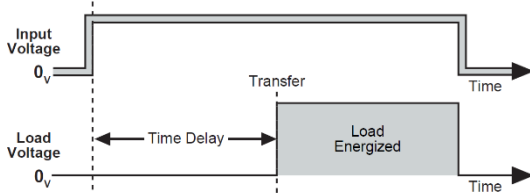
ICM102
Delay on Make Timer, Compressor Start Up Delay

ICM203(LTA240X480)
Delay on Break Timer, Anti Short Cycle / Lockout Timer

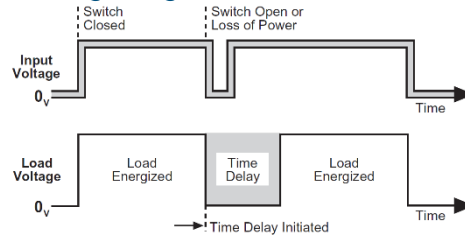
Properties

Properties		
	ICM102	ICM203 (LTA240X480)
Product Range	Eureka Solid State Timers	
Time Range	0.03 - 10 minutes	0.1 - 8 minutes
Rated Supply Voltage	18 - 240 VAC / DC	24 - 288 VAC
Rated Frequency	50 / 60Hz	
Operating Temperature	-20°C~+70°C	
Output	Solid State (No Contactors)	
Output Maximum Rating	1.5 A	1 A
Output Minimum Rating	10 mA	40 mA

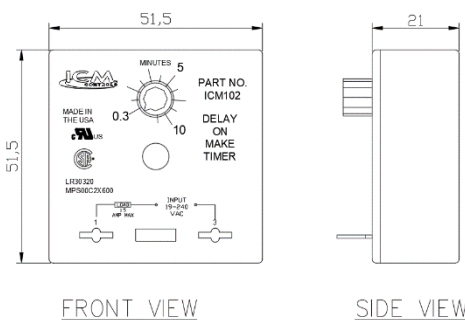
Timing Diagram for ICM102



Timing Diagram for ICM203



Dimensions for ICM102



Dimensions for ICM203

