

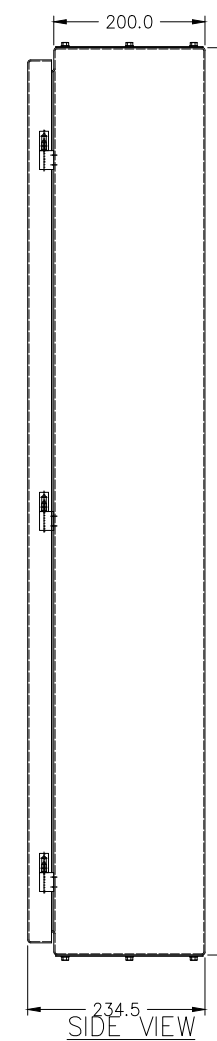
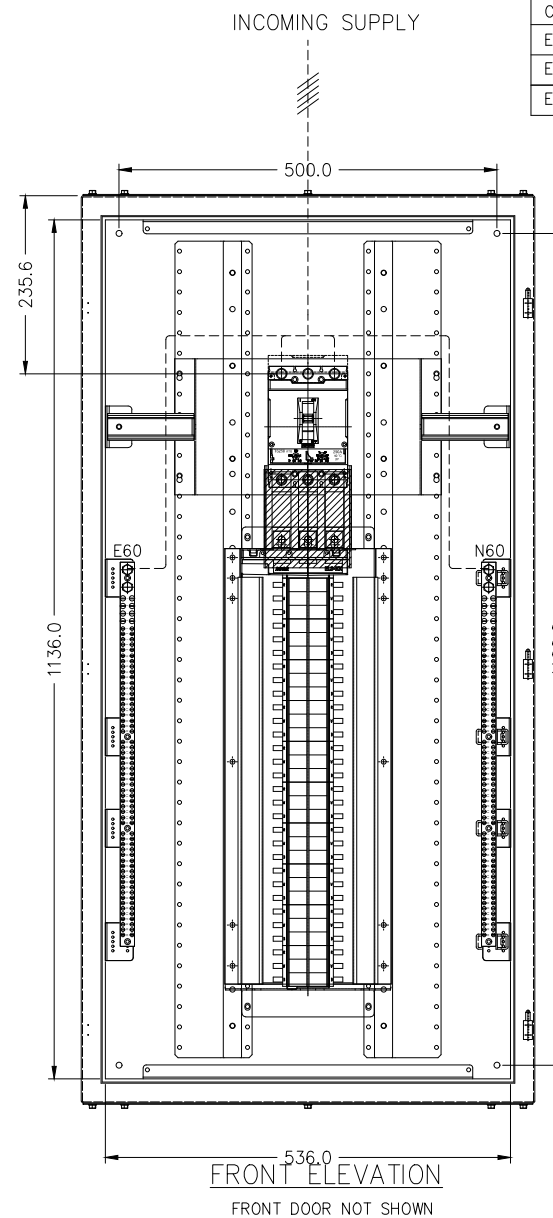
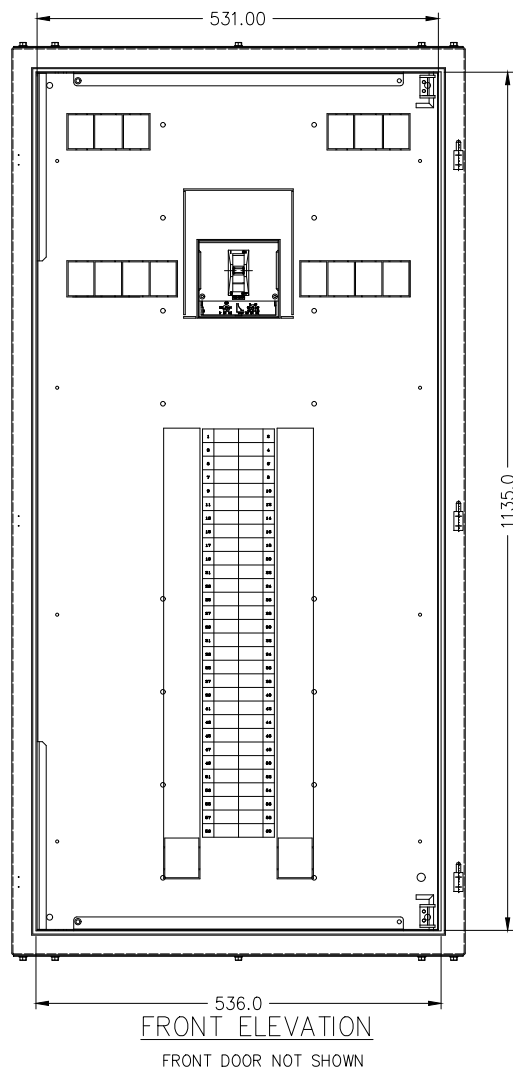
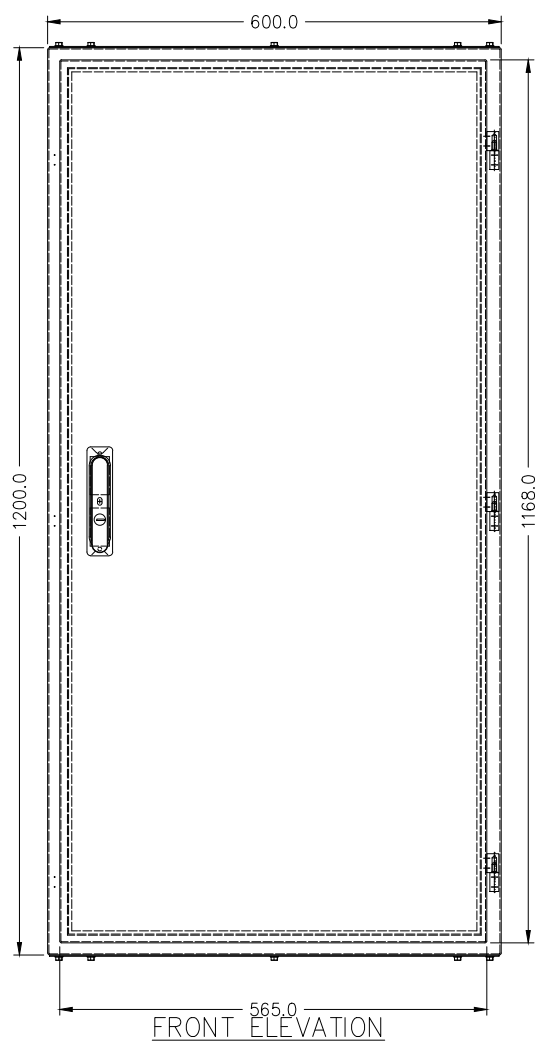
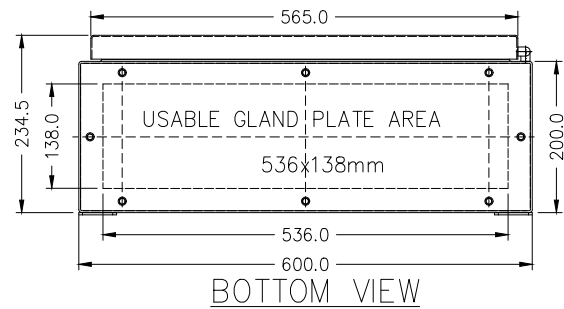
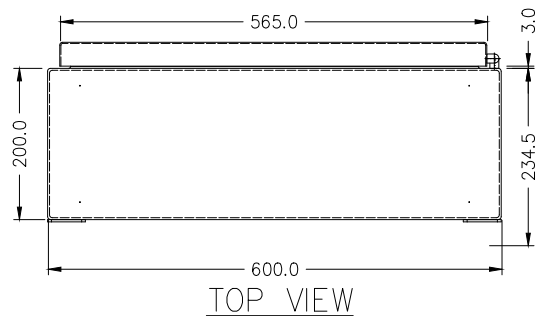
WARNING

CARDBOARD COVER ON TOP OF THE CHASSIS IS TO PROTECT CHASSIS FROM CONDUCTIVE SWARF.
 REMOVE CARDBOARD COVER ONCE DRILLING/FILING IS COMPLETE.
 DO NOT ENERGISE CHASSIS WITHOUT REMOVING CARDBOARD COVER.

NOTES:

EUREKA SERIES NAW DB – IP56 TO AS 1939, COLOUR N42 STORM GREY OR X15 ORANGE
 FORM 1 DB TO AS3439.1.
 BODY MANUFACTURED FROM 1.6mm STEEL.
 LEFT/RIGHT HINGED DOOR C/W SMOKE SEAL RUBBER (CL001 KEY LOCK).
 A4 CIRCUIT CARD WITH CLEAR LENS BEHIND DOOR.
 250Amp CHASSIS (25kA for 0.1sec.)
 REMOVABLE GLAND PLATES TOP-NONE/BOTTOM – ALUMINIUM
 PREPRINTED ESCUTCHEON LABEL.
 REMOVABLE HINGED GLOSS WHITE ESCUTCHEON MANUFACTURED FROM 1.2mm STEEL.

ITEM	EQUIPMENT DESCRIPTION	SUPPLIER	PART NUMBER	QTY
ENCLOSURE	ACCESSORY BOX 1200mm HIGH IP56	EUREKA/NAW	AB1262G-WP	1
ENCLOSURE	BOX RAILS TO SUIT 1200mm	EUREKA/NAW	EUMDBRAIL1200	2
ENCLOSURE	MAIN SWITCH DIN BRACKET	EUREKA/NAW	MDB-MSBKT	2
ENCLOSURE	15mm DIN RAIL TO SUIT MCCB	EUREKA/NAW	MDB-DIN8MCL	2
ENCLOSURE	MCCB TOP HAT BRACKET	EUREKA/NAW	MDB-THMC2S	1
ENCLOSURE	EARTH AND NEUTRAL BRACKET	EUREKA/NAW	MDB-ENL	8
ENCLOSURE	MCCB ESCUTCHEON 60POLE 1200mm	EUREKA/NAW	DB-ESC60-CB	1
ESCUTCHEON	MCCB DESIGNATION STICKER 1-48	EUREKA/NAW	MDB-EL18-48	1
ESCUTCHEON	MCCB DESIGNATION STICKER 49-96	EUREKA/NAW	MDB-EL18-96	1
CHASSIS	CHASSIS MTG BRACKET NON-EMS CHASSIS	EUREKA/NAW	MDB-CHFLAT	2
CHASSIS	60P 250A NON-EMS CHASSIS	EUREKA/NAW	ELS6-60-181	1
E60	60 POLE EARTH BAR 250A	EUREKA/NAW	NE-250F-P060X	1
N60	60 POLE NEUTRAL BAR 250A	EUREKA/NAW	NE-250F-P060XF	1
MAIN ISOLATOR	3-POLE (100-250A) ELECTRONIC MCCB	LS/NAW	TS250NETS250	1
MAIN ISOLATOR	TERMINAL COVER FOR TS250 SHORT TYPE	LS/NAW	LS-ITS23-TS	1
CHASSIS	CONNECTION TAG SET FOR 250A CHASSIS	EUREKA/NAW	DB-TAG250	1
CHASSIS	250A MCCB MAIN SWITCH SHROUD	EUREKA/NAW	MDB-SH250MC	1
ESCUTCHEON	POLE FILLER (6-POLES)	EUREKA/NAW	EUR-PF6	10
ENCLOSURE	MCCB CHASSIS CENTRE SHROUD	EUREKA/NAW	DB-CENTRE SHROUD	1
ENCLOSURE	MDB CONNECTION SCREW	EUREKA/NAW	MDB-SCREW	30

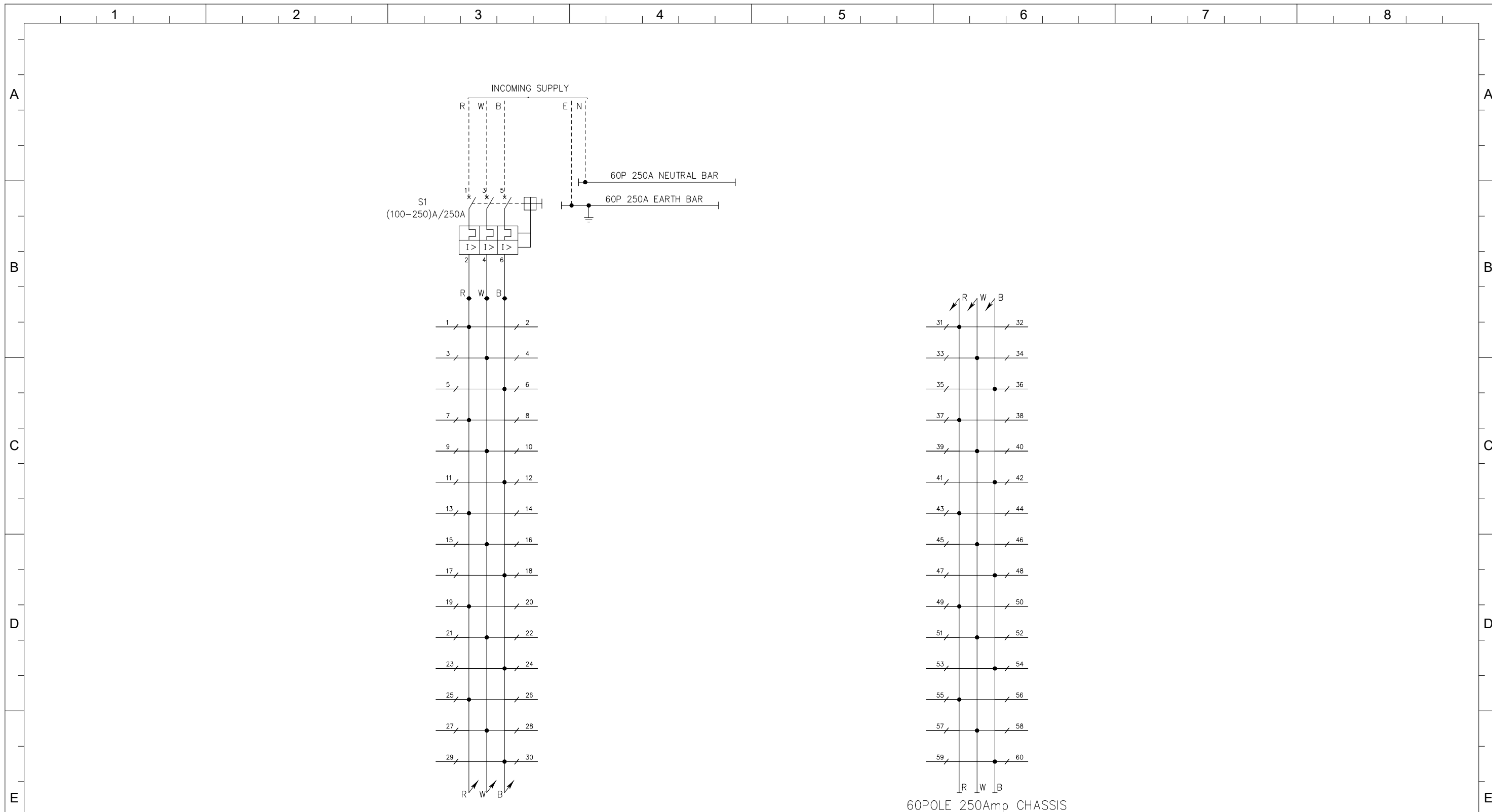


SCALE.	NTS			
ENGINEERED	D.J.			
DRAWN	D.J.			
APPROVED	D.J.			
DATE	08.08.2017			
REV	DESCRIPTION	DATE	DRAWN	APPROVED
A	UPDATE THE PART NUMBER	18.03.2026	G.P.	

NAW STANDARD DRAWINGS
 IP56 60P EUREKA DISTRIBUTION BOARD
 WITH 250A MCCB MAIN SWITCH
 LAYOUT DRAWING

98 Commercial Drive, Thomastown VIC 3074
 www.nawcontrols.com.au
 www.eurekaelectrical.com.au

A3
PAGE 1
OF 1
DRAWING No.EUR-MDB60G-2MC-WP REV: A



SCALE.	NTS			
ENGINEERED	M.M.			
DRAWN	M.M.			
APPROVED				
DATE	27.04.2016			
REV	DESCRIPTION	DATE	DRAWN	APPROVED
A	UPDATE THE PART NUMBER	18.03.2026	G.P.	

NAW STANDARD DRAWINGS
IP56 60P EUREKA DISTRIBUTION BOARD
WITH 250A MCCB MAIN SWITCH

SINGLE LINE DIAGRAM

NAW *Eureka*
CONTROLS

98 Commercial Drive, Thomastown VIC 3074
www.nawcontrols.com.au
www.eurekaelectrical.com.au

DRAWING No. EUR-MDB60G-2MC-WP REV: