



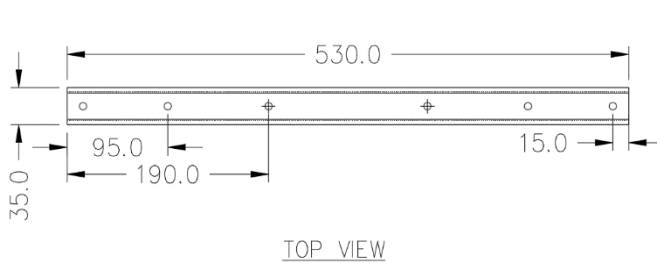
35mm Din Rail

- Wide range of Din rail to choose from.
- Custom Din rails available to suit Eureka distribution boards.
- Custom DIN rails available to suit meter with MCCBs.
- Mounting brackets need to be ordered separately (DB-MS-BKT-SP).
- Material; Zinc annealed Steel.

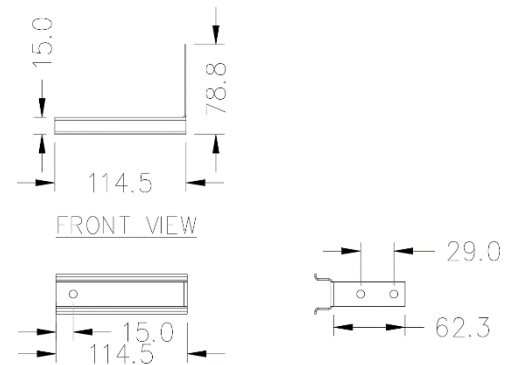
Part No.	Description
EUMDBDINRAIL	Din Rail Full length to suit Eureka enclosure, used in conjunction with DIN Bracket DB-MS-BKT-SP
EUMCCBDINRAIL	Din Rail to suit MCCB main switch 15mm, used in conjunction with DIN Bracket DB-MS-BKT-SP
EUMETDINRAIL	Din mount bracket for mounting to the bottom of the Eureka DB and used in conjunction with DIN Bracket DB-MS-BKT-SP

Dimensions

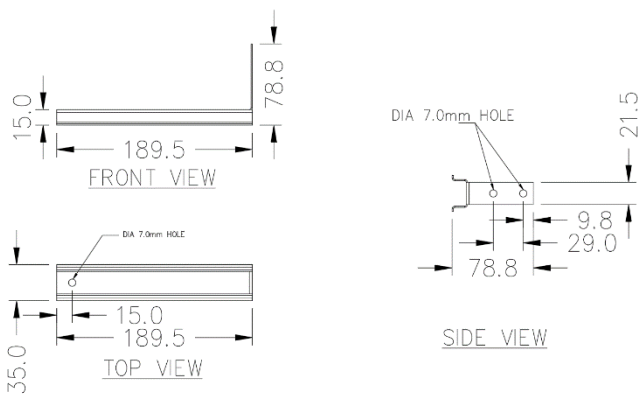
EUMDBDINRAIL



EUMCCBDINRAIL



EUMCCBDINRAIL+35SP



EUMETDINRAIL

