



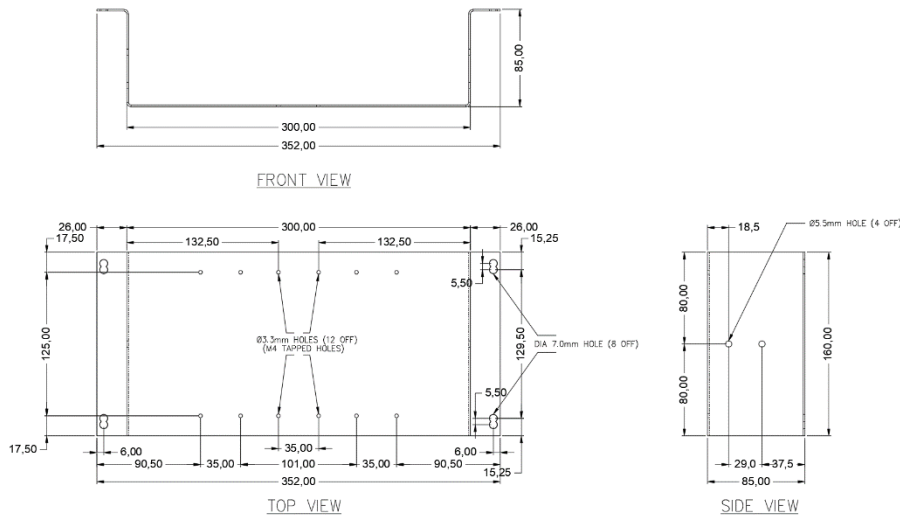
**Top Hats for LS MCCB**

- Made from 1.6mm Zinc Annealed Steel
- Top Hats to mount Eureka MCCB to Eureka MDB enclosure.
- Lifts the MCCB up to the required height to meet the escutcheon.

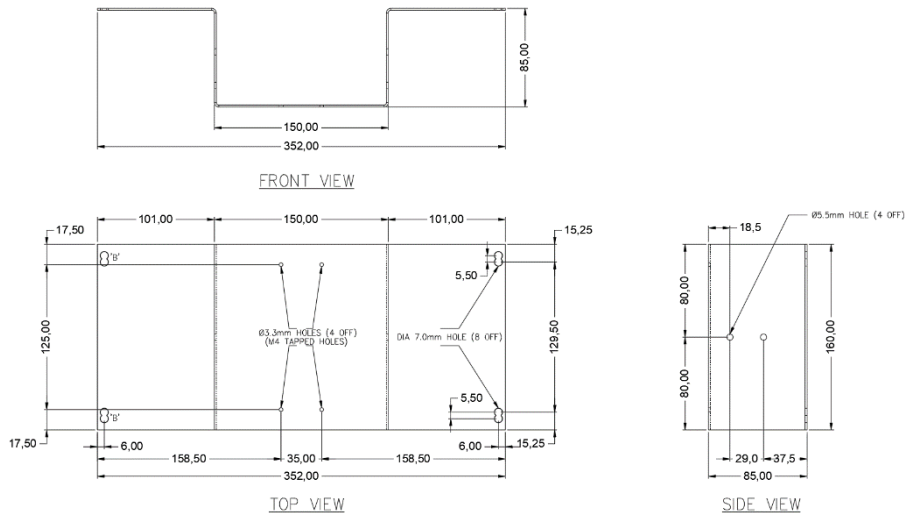
Part No.	Description
DB-TH-MCCB-250	Top Hats for mounting MCCB with frame size of 250AF, able to mount up to 2 MCCB parallel to each other.
DB-TH-MCCB-250SP	Top Hats for mounting MCCB with frame size of 250AF, only 1 MCCB mountable, extra space available for cabling and DIN rail (multi-function meters)
DB-TH-MCCB-400	Top Hats for mounting MCCB with frame size of 400AF, able to mount up to 2 MCCB parallel to each other.
DB-TH-MCCB-400SP	Top Hats for mounting MCCB with frame size of 400AF, only 1 MCCB mountable, extra space available for cabling and DIN rail (multi-function meters)

**Dimensions**

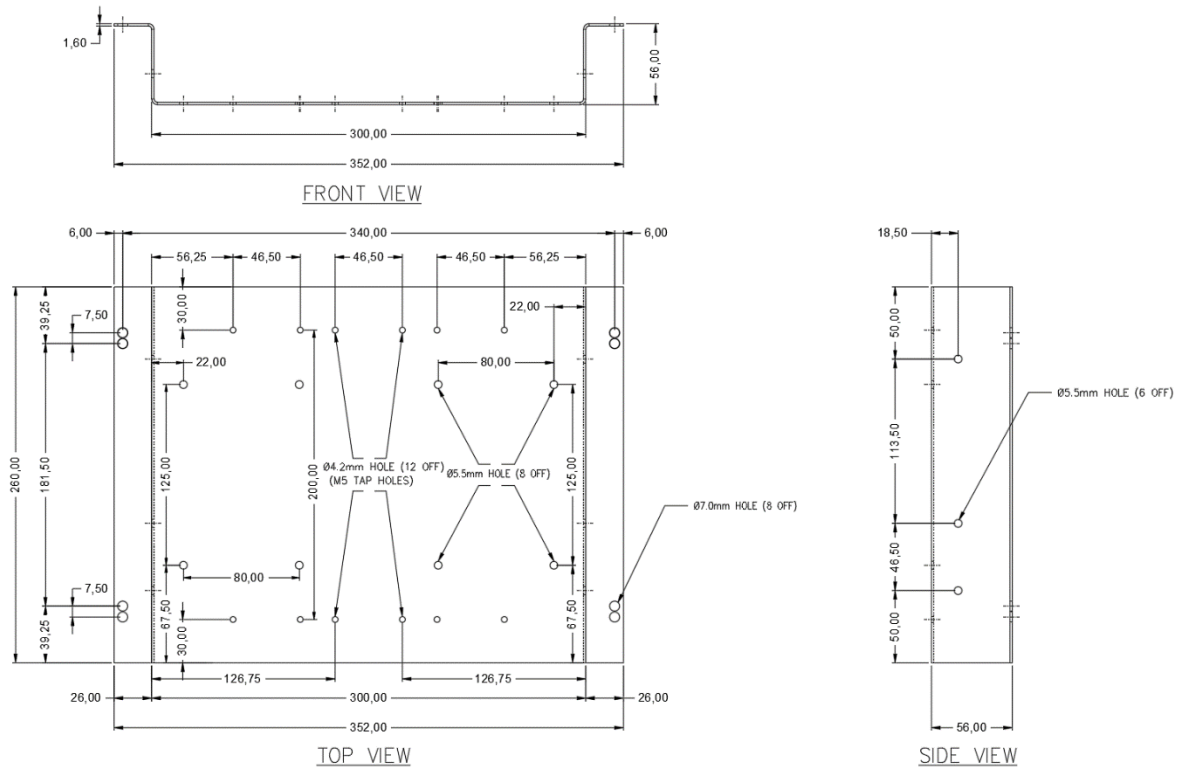
**DB-TH-MCCB-250**



**DB-TH-MCCB-250SP**



**DB-TH-MCCB-400**



**DB-TH-MCCB-400SP**

