



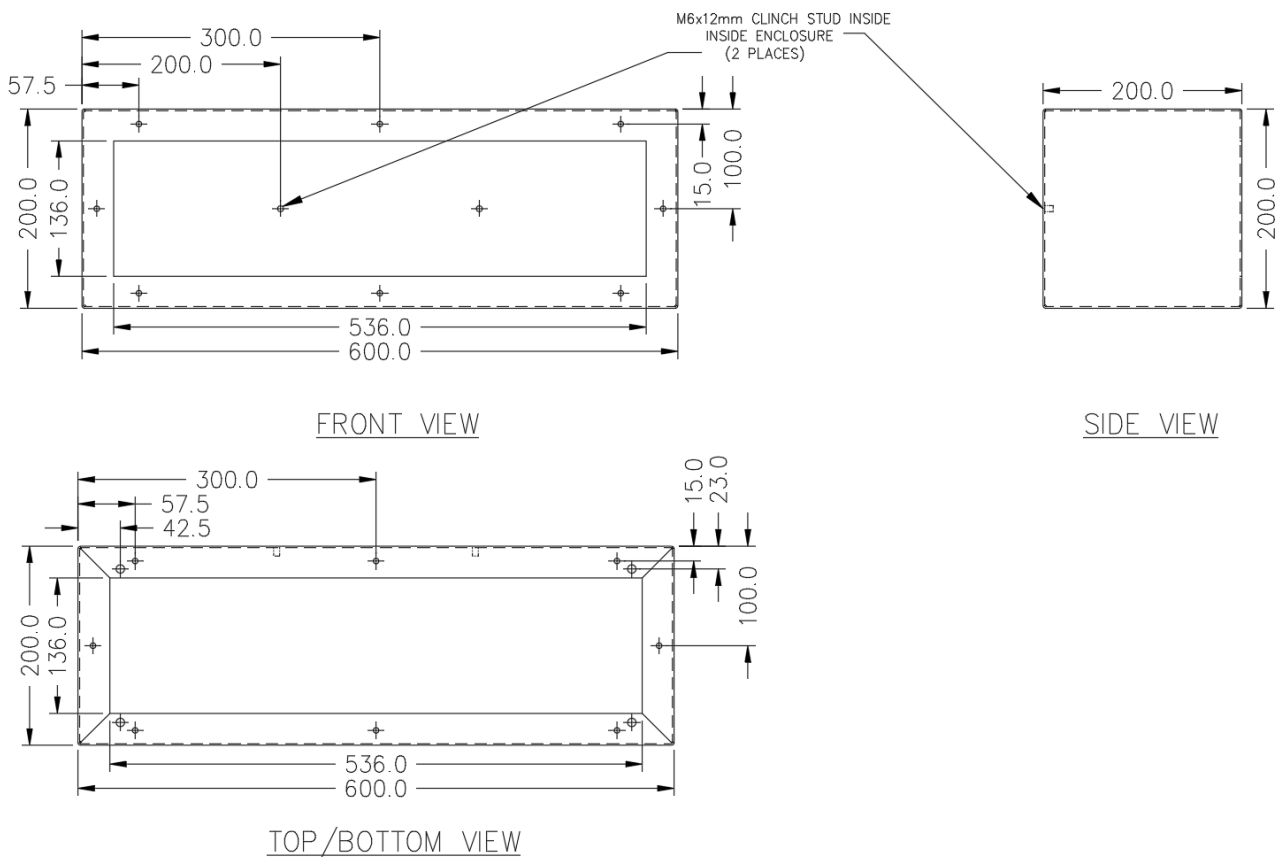
**Incoming Cable/ Ventilation Collar**

- Helps to organize cables entering the enclosure.
- Available option with Ventilation Louvre, which can be used to remove heat from the enclosure if necessary.
- Made from powder coated 1.6mm Mild steel.
- Available in 2 Colour, N42 Grey or X15 orange.

Part No.	Description	Colour	Suitable for
DB-INCABENC-G	Incoming cable enclosure	N42 Grey	AB enclosures with 200mm depth
DB-INCABENC-OR	Incoming cable enclosure	X15 Orange	AB enclosures with 200mm depth
EUMDBGP-G	Gland Plate to suit incoming cable enclosure	N42 Grey	To suit DB-INCABENC
EUMDBGP-OR	Gland Plate to suit incoming cable enclosure	X15 Orange	To suit DB-INCABENC
EUMBDBVL-G	Ventilation Louvre to suit incoming cable enclosure	N42 Grey	To suit DB-INCABENC
EUMBDBVL-OR	Ventilation Louvre to suit incoming cable enclosure	X15 Orange	To suit DB-INCABENC

**Dimensions**

**DB-INCABENC- Incoming cable enclosure**

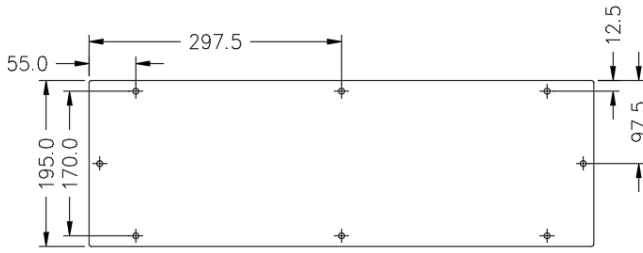


Catalogue number: **DB-INCABENC-□**

Incoming Cable Enclosure with Gland Plate/ Ventilation Louvre

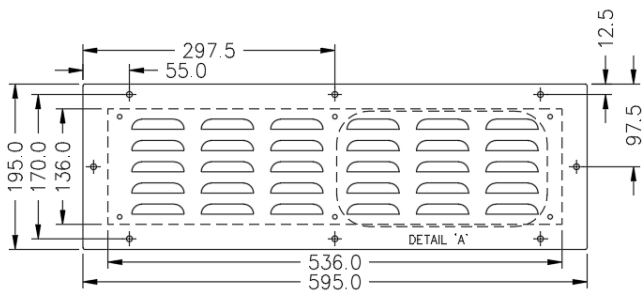


**EUMBGP- Gland Plate**

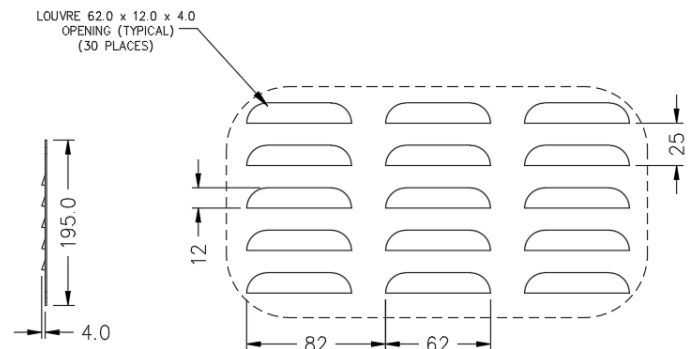


FRONT COVER/GLAND PLATE

**EUMBVL- Ventilation Cover**



FRONT COVER



DETAIL 'A'

