

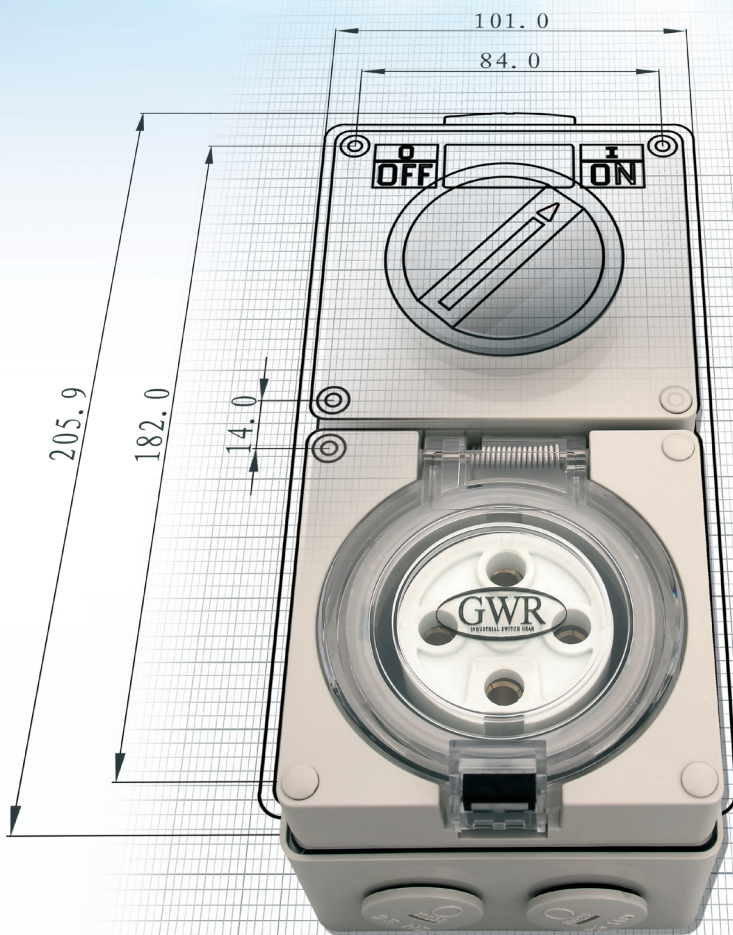


Joining the fight against inferior quality non compliant products.

- On going investment into quality control procedures that are in place for all of our electrical products.
- Comparable component quality to other major brands. If you haven't tried it, give us a call and see for yourself.
- All of our products comply with Australian electrical safety standards.
- 100% Australian owned and operated, local back up with strong customer service ethics.
- Offering the contractor a quality product at competitive & realistic pricing.
- Reputable sales staff with many years experience in the industrial electrical industry.
- On going commitment to the Australian electrical contracting market.
- All of our profits stay within Australia. We are not owned by any foreign entity.

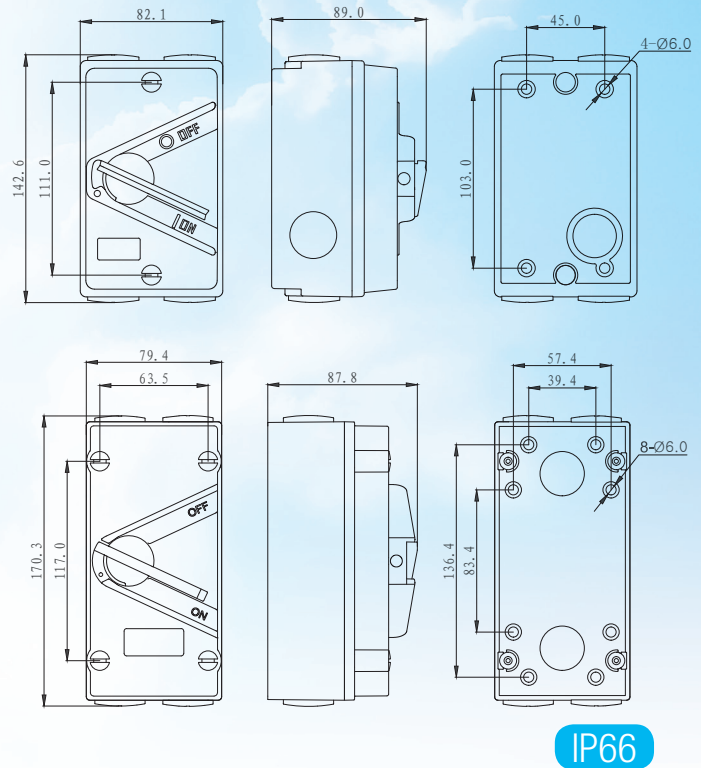


More than just a quality alternative



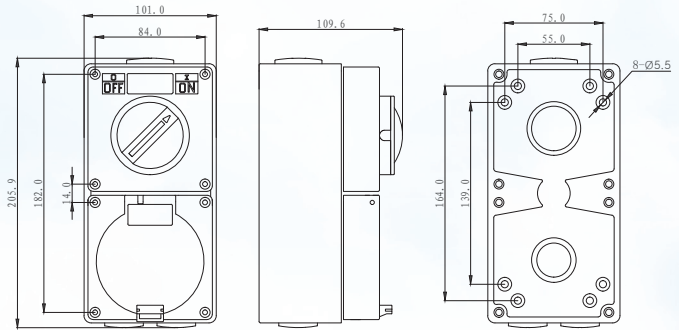
- All GEN3 Industrial Switch gear is IP66 rated.
- Available in Grey and Resistive Orange.
- All GEN3 plastics are **PCA18 virgin grade (No regrind)**.
- All brass internal components are greater than **85% copper** (less heat rise component due to high copper content).
- All GEN3 products have **Australian/NZ Approval Certificates** or Australian/NZ Compliance Certificates.
- All GEN3 products are **interchangeable** with other major brands.
- All GEN3 products have **batch coding** for QA tracking.
- All GEN3 plug tops have **compression glands** for quick cable termination.
- All GEN3 switch sockets have **mounting templates** for fast and easy installation.
- Using GEN3 Industrial Switch gear contractors can work with **greater margin when quoting** against similar electrical products in the market.
- **24 months replacement warranty** on all products.

Eureka



Surface mount isolators

| Standard | | | | | |
|-------------|-------|-------|--------|----------|---------|
| PART NO. | VOLTS | AMPS | POLES | M RATING | Ctn Qty |
| DNA-W32-1P | 250V | 32Amp | 1 Pole | M180 | 30 |
| DNA-W63-3P | 500V | 63Amp | 3 Pole | M180 | 30 |
| DNA-W63-4P | 500V | 63Amp | 4 Pole | M180 | 30 |
| DNA-W63-4PY | 500V | 63Amp | 4 Pole | M180 | 30 |
| Mini | | | | | |
| PART NO. | VOLTS | AMPS | POLES | M RATING | Ctn Qty |
| MIS1-20 | 250V | 20Amp | 1 Pole | M180 | 30 |
| MIS3-20 | 500V | 20Amp | 3 Pole | M180 | 30 |
| MIS3-35 | 500V | 35Amp | 3 Pole | M180 | 30 |
| Ultra Mini | | | | | |
| PART NO. | VOLTS | AMPS | POLES | M RATING | Ctn Qty |
| WSW1 | 250V | 15Amp | 1 Pole | M80 | 50 |



IP66

Switched combination outlets surface mount

| PART NO. | VOLTS | AMPS | PINS | Ctn Qty |
|-----------|-------|-------|-------------|---------|
| C01PH10 | 250V | 10Amp | 3 Pin Flat | 18 |
| C01PH15 | 250V | 15Amp | 3 Pin Flat | 18 |
| C01PHR320 | 250V | 20Amp | 3 Pin Round | 24 |
| C01PHR332 | 250V | 32Amp | 3 Pin Round | 24 |
| C03PH410 | 500V | 10Amp | 4 Pin Round | 24 |
| C03PH420 | 500V | 20Amp | 4 Pin Round | 24 |
| C03PH432 | 500V | 32Amp | 4 Pin Round | 24 |
| C03PH440 | 500V | 40Amp | 4 Pin Round | 24 |
| C03PH450 | 500V | 50Amp | 4 Pin Round | 24 |
| C03PH510 | 500V | 10Amp | 5 Pin Round | 24 |
| C03PH520 | 500V | 20Amp | 5 Pin Round | 24 |
| C03PH532 | 500V | 32Amp | 5 Pin Round | 24 |
| C03PH540 | 500V | 40Amp | 5 Pin Round | 24 |
| C03PH550 | 500V | 50Amp | 5 Pin Round | 24 |



C01PH104RCD



C01PH10RCD

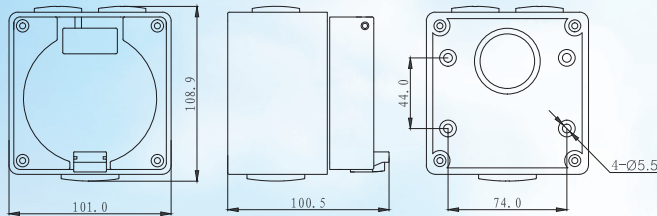
IP66

3 Gang RCD protected outlets unswitched

| PART NO. | VOLTS | AMPS | PINS | RCD | SPECIFICATIONS |
|-------------|-------|-------|-------------|-----------|----------------|
| C01PH10RCD | 250V | 10Amp | 3 Pin Flat | 2Pole 40A | 30mA trip 10kA |
| C01PH15RCD | 250V | 15Amp | 3 Pin Flat | 2Pole 40A | 30mA trip 10kA |
| C03PH410RCD | 500V | 10Amp | 4 Pin Round | 4Pole 40A | 30mA trip 10kA |
| C03PH420RCD | 500V | 20Amp | 4 Pin Round | 4Pole 40A | 30mA trip 10kA |
| C03PH432RCD | 500V | 32Amp | 4 Pin Round | 4Pole 63A | 30mA trip 10kA |
| C03PH510RCD | 500V | 10Amp | 5 Pin Round | 4Pole 40A | 30mA trip 10kA |
| C03PH520RCD | 500V | 20Amp | 5 Pin Round | 4Pole 40A | 30mA trip 10kA |
| C03PH532RCD | 500V | 32Amp | 5 Pin Round | 4Pole 63A | 30mA trip 10kA |
| C03PH540RCD | 500V | 40Amp | 5 Pin Round | 4Pole 63A | 30mA trip 10kA |
| C03PH550RCD | 500V | 50Amp | 5 Pin Round | 4Pole 63A | 30mA trip 10kA |

4 Gang RCD protected outlets switched

| PART NO. | VOLTS | AMPS | PINS | RCD | SPECIFICATIONS |
|--------------|-------|-------|-------------|-----------|----------------|
| C01PH 104RCD | 250V | 10Amp | 3 Pin Flat | 2Pole 40A | 30mA trip 10kA |
| C01PH154RCD | 250V | 15Amp | 3 Pin Flat | 2Pole 40A | 30mA trip 10kA |
| C03PH4104RCD | 500V | 10Amp | 4 Pin Round | 4Pole 40A | 30mA trip 10kA |
| C03PH4204RCD | 500V | 20Amp | 4 Pin Round | 4Pole 40A | 30mA trip 10kA |
| C03PH4324RCD | 500V | 32Amp | 4 Pin Round | 4Pole 63A | 30mA trip 10kA |
| C03PH5104RCD | 500V | 10Amp | 5 Pin Round | 4Pole 40A | 30mA trip 10kA |
| C03PH5204RCD | 500V | 20Amp | 5 Pin Round | 4Pole 40A | 30mA trip 10kA |
| C03PH5324RCD | 500V | 32Amp | 5 Pin Round | 4Pole 63A | 30mA trip 10kA |
| C03PH5404RCD | 500V | 40Amp | 5 Pin Round | 4Pole 63A | 30mA trip 10kA |
| C03PH5504RCD | 500V | 50Amp | 5 Pin Round | 4Pole 63A | 30mA trip 10kA |



IP66

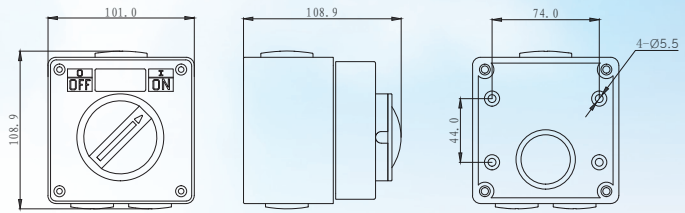


Socket outlets

| PART NO. | VOLTS | AMPS | PINS | CONDUCTOR (Size in mm ²) | | Ctn Qty |
|----------|-------|-------|-------------|--------------------------------------|----|---------|
| SC310 | 250V | 10Amp | 3 Pin Flat | 1.5 | 6 | 36 |
| SC315 | 250V | 15Amp | 3 Pin Flat | 1.5 | 6 | 36 |
| SC320F | 250V | 20Amp | 3 Pin Flat | 2.5 | 6 | 36 |
| SCR320 | 250V | 20Amp | 3 Pin Round | 2.5 | 6 | 36 |
| SCR332 | 250V | 32Amp | 3 Pin Round | 2.5 | 6 | 36 |
| SC410 | 500V | 10Amp | 4 Pin Round | 1.5 | 6 | 36 |
| SC420 | 500V | 20Amp | 4 Pin Round | 2.5 | 6 | 36 |
| SC432 | 500V | 32Amp | 4 Pin Round | 4 | 16 | 36 |
| SC440 | 500V | 40Amp | 4 Pin Round | 10 | 16 | 36 |
| SC450 | 500V | 50Amp | 4 Pin Round | 10 | 16 | 36 |
| SC510 | 500V | 10Amp | 5 Pin Round | 1.5 | 6 | 36 |
| SC520 | 500V | 20Amp | 5 Pin Round | 2.5 | 6 | 36 |
| SC532 | 500V | 32Amp | 5 Pin Round | 4 | 16 | 36 |
| SC540 | 500V | 40Amp | 5 Pin Round | 10 | 16 | 36 |
| SC550 | 500V | 50Amp | 5 Pin Round | 10 | 16 | 36 |

| Automatic Switching | | | | | | |
|---------------------|-------|-------|------------|--------------------------------------|---|---------|
| PART NO. | VOLTS | AMPS | PINS | CONDUCTOR (Size in mm ²) | | Ctn Qty |
| SCA310 | 250V | 10Amp | 3 Pin Flat | 1.5 | 6 | 36 |
| SCA315 | 250V | 15Amp | 3 Pin Flat | 1.5 | 6 | 36 |

* Less base available

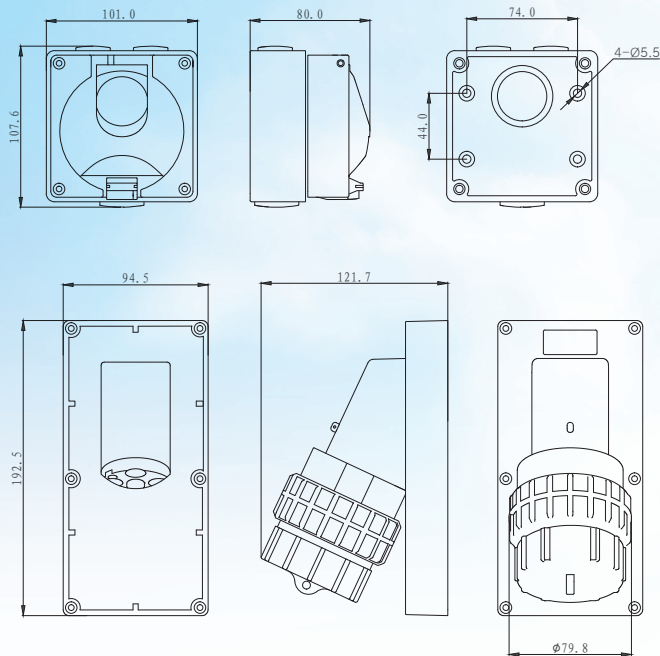


IP66 M100

Surface Switches

| PART NO. | DESCRIPTION | VOLTS | AMPS | POLES | CONDUCTOR Size in mm ² | | Ctn Qty |
|----------|----------------|-------|-------|--------|-----------------------------------|----|---------|
| S2P10 | Surface Switch | 500V | 10Amp | 2 Pole | 1.5 | 6 | 36 |
| S2P20 | Surface Switch | 500V | 20Amp | 2 Pole | 1.5 | 6 | 36 |
| S3P20 | Surface Switch | 500V | 20Amp | 3 Pole | 2.5 | 6 | 36 |
| S3P32 | Surface Switch | 500V | 32Amp | 3 Pole | 4 | 16 | 36 |
| S3P40 | Surface Switch | 500V | 40Amp | 3 Pole | 10 | 16 | 36 |
| S3P50 | Surface Switch | 500V | 50Amp | 3 Pole | 10 | 16 | 36 |
| S3P63 | Surface Switch | 500V | 63Amp | 3 Pole | 10 | 16 | 36 |

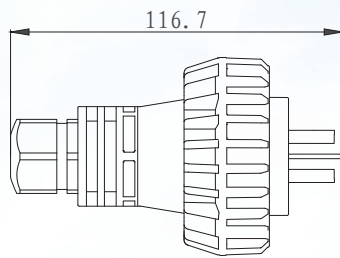
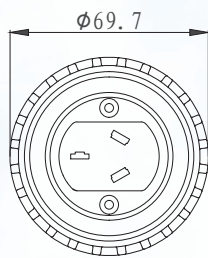
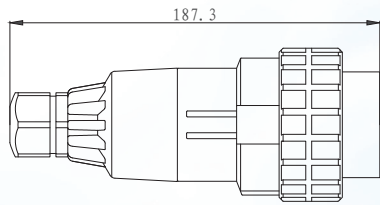
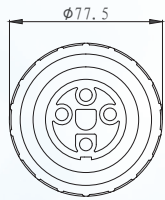
| PART NO. | DESCRIPTION | VOLTS | AMPS | POLES | CONDUCTOR Size in mm ² | | Ctn Qty |
|----------|--------------------|-------|-------|--------|-----------------------------------|---|---------|
| S3P20C/O | Change Over Switch | 500V | 20Amp | 3 Pole | 1.5 | 6 | 36 |
| S3P20F/R | FWD / RVS Switch | 500V | 20Amp | 3 Pole | 1.5 | 6 | 36 |



IP66

Appliance inlets

| Single Phase | | | | |
|--------------|-------|-------|-------------|---------|
| PART NO. | VOLTS | AMPS | PINS | Ctn Qty |
| API310 | 250V | 10Amp | 3 Pin Flat | 36 |
| API315 | 250V | 15Amp | 3 Pin Flat | 36 |
| Three Phase | | | | |
| PART NO. | VOLTS | AMPS | PINS | Ctn Qty |
| GEN3AI410 | 500V | 10Amp | 4 Pin Round | 24 |
| GEN3AI420 | 500V | 20Amp | 4 Pin Round | 24 |
| GEN3AI432 | 500V | 32Amp | 4 Pin Round | 24 |
| GEN3AI440 | 500V | 40Amp | 4 Pin Round | 24 |
| GEN3AI450 | 500V | 50Amp | 4 Pin Round | 24 |
| GEN3AI510 | 500V | 10Amp | 5 Pin Round | 24 |
| GEN3AI520 | 500V | 20Amp | 5 Pin Round | 24 |
| GEN3AI532 | 500V | 32Amp | 5 Pin Round | 24 |
| GEN3AI540 | 500V | 40Amp | 5 Pin Round | 24 |
| GEN3AI550 | 500V | 50Amp | 5 Pin Round | 24 |



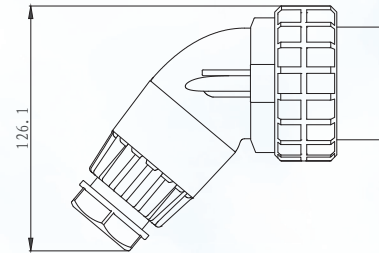
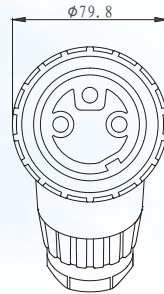
IP66



Plugs

Plug top straight

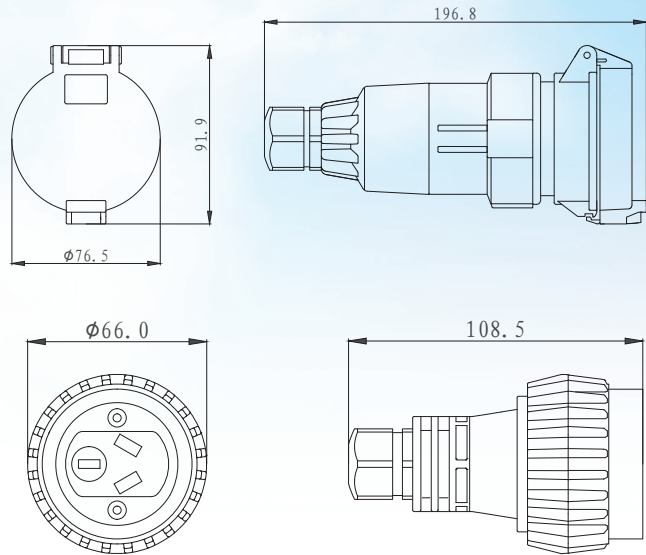
| PART NO. | VOLTS | AMPS | PINS | Ctn Qty |
|-----------|-------|-------|-------------|---------|
| PL1PH10 | 250V | 10Amp | 3 Pin Flat | 45 |
| PL1PH15 | 250V | 15Amp | 3 Pin Flat | 45 |
| PLSR320 | 250V | 20Amp | 3 Pin Round | 30 |
| PLSR332 | 250V | 32Amp | 3 Pin Round | 30 |
| PLS3PH410 | 500V | 10Amp | 4 Pin Round | 30 |
| PLS3PH420 | 500V | 20Amp | 4 Pin Round | 30 |
| PLS3PH432 | 500V | 32Amp | 4 Pin Round | 30 |
| PLS3PH440 | 500V | 40Amp | 4 Pin Round | 30 |
| PLS3PH450 | 500V | 50Amp | 5 Pin Round | 30 |
| PLS3PH510 | 500V | 10Amp | 5 Pin Round | 30 |
| PLS3PH520 | 500V | 20Amp | 5 Pin Round | 30 |
| PLS3PH532 | 500V | 32Amp | 5 Pin Round | 30 |
| PLS3PH540 | 500V | 40Amp | 5 Pin Round | 30 |
| PLS3PH550 | 500V | 50Amp | 5 Pin Round | 30 |



IP66

Plugs

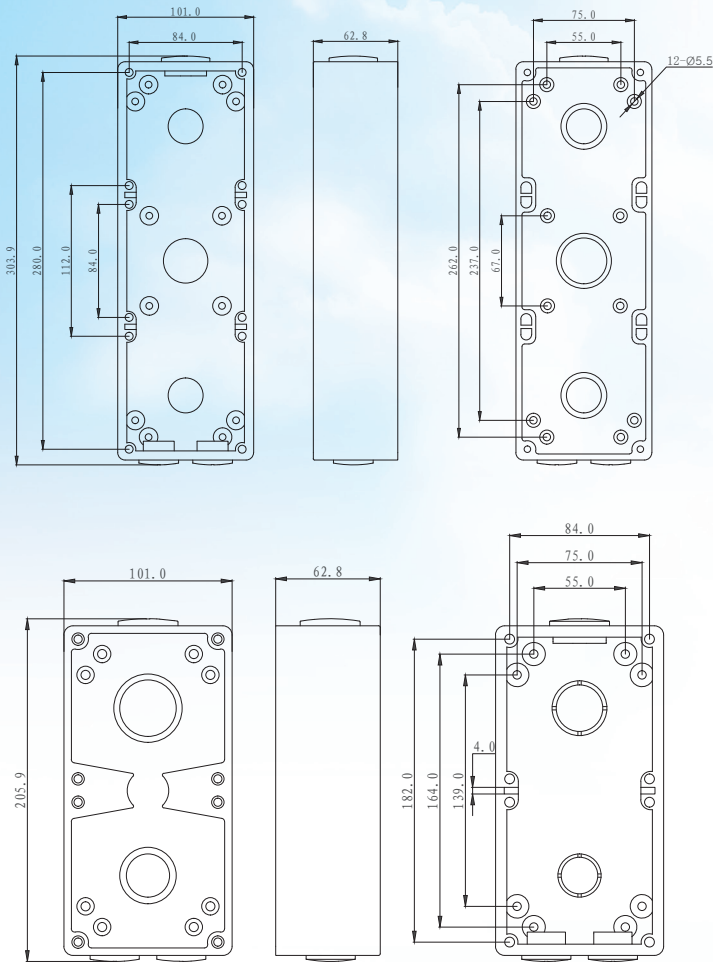
| Plug Top Angled | | | | |
|-----------------|-------|-------|-------------|---------|
| PART NO. | VOLTS | AMPS | PINS | Ctn Qty |
| PLA3PH410 | 500V | 10Amp | 4 Pin Round | 30 |
| PLA3PH420 | 500V | 20Amp | 4 Pin Round | 30 |
| PLA3PH432 | 500V | 32Amp | 4 Pin Round | 30 |
| PLA3PH440 | 500V | 40Amp | 4 Pin Round | 30 |
| PLA3PH450 | 500V | 50Amp | 4 Pin Round | 30 |
| PLA3PH510 | 500V | 10Amp | 5 Pin Round | 30 |
| PLA3PH520 | 500V | 20Amp | 5 Pin Round | 30 |
| PLA3PH532 | 500V | 32Amp | 5 Pin Round | 30 |
| PLA3PH540 | 500V | 40Amp | 5 Pin Round | 30 |
| PLA3PH550 | 500V | 50Amp | 5 Pin Round | 30 |



IP66

Extension sockets

| PART NO. | VOLTS | AMPS | PINS | Ctn Qty |
|----------|-------|-------|-------------|---------|
| SC01P10 | 250V | 10Amp | 3 Pin Flat | 45 |
| SC01P15 | 250V | 15Amp | 3 Pin Flat | 45 |
| SC01P20 | 250V | 20Amp | 3 Pin Flat | 45 |
| SC03P32 | 250V | 32Amp | 3 Pin Round | 30 |
| SC04P10 | 500V | 10Amp | 4 Pin Round | 30 |
| SC04P20 | 500V | 20Amp | 4 Pin Round | 30 |
| SC04P32 | 500V | 32Amp | 4 Pin Round | 30 |
| SC05P10 | 500V | 10Amp | 5 Pin Round | 30 |
| SC05P20 | 500V | 20Amp | 5 Pin Round | 30 |
| SC05P32 | 500V | 32Amp | 5 Pin Round | 30 |



Mounting enclosures

| PART NO. | DESCRIPTION | Ctn Qty |
|----------|--|---------|
| G1E | Back Box 1 Gang | 75 |
| G1ES | Shallow Back Box 1 Gang | 45 |
| G2E | Back Box 2 Gang | 40 |
| G3E | Back Box 3 Gang | 16 |
| G4E | Back Box 4 Gang | 20 |
| G6E | Back Box 6 Gang | 10 |
| G9E | Back Box 9 Gang | 6 |
| G12E | Back Box 12 Gang | 6 |
| E1 | Lid 1 Gang | 150 |
| E2 | Lid 2 Gang | 80 |
| CBC1PN | 1,2,3 Pole C/W Din Kit MCB RCD Cover | 50 |
| CBC4PN | 1,2,3,4 Pole C/W Din Kit MCB RCD Cover | 50 |



IP Rating Chart

| Protection Against Solids | | |
|---------------------------|-----------------|---|
| | TEST | PROTECTION |
| X | No test applied | No specific protection |
| 0 | No test applied | Inherent degree of protection |
| 1 | | Protected against solid objects larger than 50mm (eg. accidental contact with hand) |
| 2 | | Protected against solid objects larger than 12mm (eg. contact with finger) |
| 3 | | Protected against solid objects larger than 2.5mm (eg. tools and wires) |
| 4 | | Protected against solid objects larger than 1mm (eg. fine wires and tools) |
| 5 | | Protected against quantities of dust that could interfere with satisfactory operation |
| 6 | | Completely protected against dust |

| Protection Against Liquids | | |
|----------------------------|-----------------|---|
| | TEST | PROTECTION |
| X | No test applied | No specific protection |
| 0 | No test applied | Inherent degree of protection |
| 1 | | Protected against drops of water falling vertically |
| 2 | | Protected against drops of water falling at up to 15° from the vertical |
| 3 | | Protected against spraying water at up to 60° from the vertical |
| 4 | | Protected against splashing water from all directions |
| 5 | | Protected against jets of water from all directions |
| 6 | | Protected against jets of water of similar force to heavy seas |
| 7 | | Protected against the effects of immersion |
| 8 | | Protected against the effects of submersion |

Chemical resistance comparison chart

PLEASE NOTE;

This chart should only be used as a guide only. Test to determine the suitability of any chemical with any plastic, should be carried out. Please remember your safety equipment when using chemicals while testing.

| Chemical | PVC | PC | Chemical | PVC | PC | Chemical | PVC | PC |
|------------------------|-----|-----|-------------------------|-----|----|---------------------------|-----|-----|
| Acetaldehyde | G | F | Diethyl Ether | F | NR | Isopropyl Benzene | NR | NR |
| Acetamide | NR | NR | Diethyl Ketone | NR | NR | Kerosene | E | E |
| Acetic Acid 50% | E | F | Diethyl Malonate | G | NR | Lactic Acid, 3% | G | E |
| Acetic Acid 5% | E | E | Dimethyl Ether | E | E | Lactic Acid, 85% | G | F |
| Acetone | E | NR | Dimethyl Formamide | F | NR | Lubricating Oils | G | E |
| Acetophenone | NR | NR | Ether | F | NR | Magnesium Salts | E | E |
| Aluminium Hydroxide | E | 20% | Ethyl Acetate | F | NR | Methane | E | E |
| Amonium | E | NR | Ethyl Alcohol (Ethonal) | E | E | Methoxyethyl Oleate | NR | NR |
| Amonium Hydroxide | E | NR | Ethyl Benzene | NR | NR | Methyl Alcohol (Methonal) | E | NR |
| Ammonium Oxalate | E | NR | Ethyl Benzoate | NR | NR | Methyl Benzene | NR | NR |
| Amyl Chloride | NR | NR | Ethyl Butyrate | NR | NR | Methyl Ethyl Ketone | NR | NR |
| Aniline | NR | F | Ethyl Chloride, Liquid | E | NR | Methyl Isobutyl Ketone | NR | NR |
| Benzaldehyde | NR | F | Ethyl Cyanoacetate | NR | NR | Methyl Propyl Ketone | NR | NR |
| Benzene | NR | NR | Ethyl Lactate | F | F | Methylene Chloride | NR | 20% |
| Benzoic Acid, Sat. | E | E | Ethyl Methyl Ketone | NR | NR | Mild Detergent | E | E |
| Benzyl Acetate | F | NR | Ethylene Chloride | NR | NR | n-Amyl Acetate | F | NR |
| Bonic Acid | E | E | Ethylene Glycol | E | G | n-Butyl Acetate | NR | NR |
| Bromine | G | NR | Rhtylene Oxide | F | F | n-Heptane | F | G |
| Bromobenzene | F | NR | Fluorine | NR | F | Nitric Acid, 50% | G | F |
| Butyric Acid | G | NR | Formic Acid, 50% | G | E | Nitric Acid, 70% | F | NR |
| Calcium Hypochlorite | G | G | Formic Acid, 90-100% | F | F | Nitrobenzene | NR | NR |
| Carbazole | G | F | Fuel Oil | E | G | n-Octane | F | NR |
| Carbon Disulfide | NR | NR | Gasoline | G | G | o-Dichlorobenzene | G | NR |
| Carbon Tetrachloride | G | NR | Glycerine | E | E | Orange Oil | F | F |
| Chlorine | E | NR | Hexane | G | G | p-Dichlorobenzene | NR | NR |
| Chloroacetic Acid | F | 20% | Hydraulic Oil | NR | NR | Perchloric Acid | G | 10% |
| Chloroform | NR | NR | Hydrochloric Acid, 1-5% | E | E | Perchloroethylene | NR | NR |
| Chromic Acid | E | 20% | Hydrochloric Acid, 35% | G | F | Petroleum | E | E |
| Citric Acid | G | 10% | Hydrofluoric Acid, 4% | G | E | Phenol, Crystats | F | NR |
| Cresol | NR | NR | Hydrofluoric Acid, 48% | G | G | Phosphoric Acid, 1-5% | E | E |
| Cyclohexane | G | E | Hydrogen | E | E | Phosphoric Acid, 85% | E | E |
| Decalin | E | E | Hydrogen Peroxide | E | E | Potassium Hydroxide | E | F |
| Diethyl Benzene | NR | NR | Isopropyl Acetate | NR | NR | Propane Gas | E | F |
| Propylene Glycol | F | G | | | | | | |
| Propylene Oxide | F | G | | | | | | |
| Resorinol | F | G | | | | | | |
| Salicytaldehyde | F | G | | | | | | |
| sec-Butyl Alcohol | G | G | | | | | | |
| Sodium Hydroxide 10% | E | NR | | | | | | |
| Sodium Hydroxide 5% | E | E | | | | | | |
| Sulfur Dioxide, Liquid | F | E | | | | | | |
| Sulfure Salts | NR | NR | | | | | | |
| Sulfuric Acid, 1-6% | E | E | | | | | | |
| Sulfuric Acid, 20% | E | E | | | | | | |
| Sulfuric Acid, 60% | E | F | | | | | | |
| Sulfuric Acid, 98% | NR | NR | | | | | | |
| Tartaric Acid | E | 30% | | | | | | |
| Tetrahydrofuran | NR | NR | | | | | | |
| Thionyl Chloride | NR | NR | | | | | | |
| Toluene | F | NR | | | | | | |
| Trichloroethane | NR | NR | | | | | | |
| Trichloroethylene | NR | NR | | | | | | |
| Turoentine | G | F | | | | | | |
| Vinylidene Chloride | NR | NR | | | | | | |
| Water (Ambient) | E | E | | | | | | |
| Water (Hot>60°C) | E | E | | | | | | |
| Water (Steam) | NR | F | | | | | | |
| Xylene | NR | NR | | | | | | |
| Zibc Salts / Stearate | E | E | | | | | | |

Legend for chemical resistance ratings:

- G** (Green): GOOD
- F** (Yellow): FAIR
- E** (Orange): EXCELLENT
- NR** (Red): NOT RESISTANT
- %** (Pink): CONCENTRATE MAX



Distributed by:



98 Commercial Drive,
Thomastown VIC 3074
Phone (03) 9464 6555
Fax (03) 9464 5155
Email sales@nawcontrols.com.au
www.nawcontrols.com.au



2C Brunker Road,
Chullora NSW 2190
Phone 1300 TOBINS, (02) 8713 5200
Fax (02) 9790 5211
Email sales@tobins.com.au
www.tobins.com.au



24/256 Musgrave Road,
Coopers Plains QLD 4108
Phone 1300 NAW NAW
Fax (07) 3272 7564
Email sales.qld@nawcontrols.com.au
www.nawcontrols.com.au



2/6 Colin Jamieson Drive,
Welshpool WA 6106
Phone 08 9451 4782
Fax 08 9451 7057
Email sales@uniquip.net.au
www.uniquip.net.au