

Catalogue number: **CO**□**PH**□□□□
SC□□□□□□, **S**□**P**□□□□

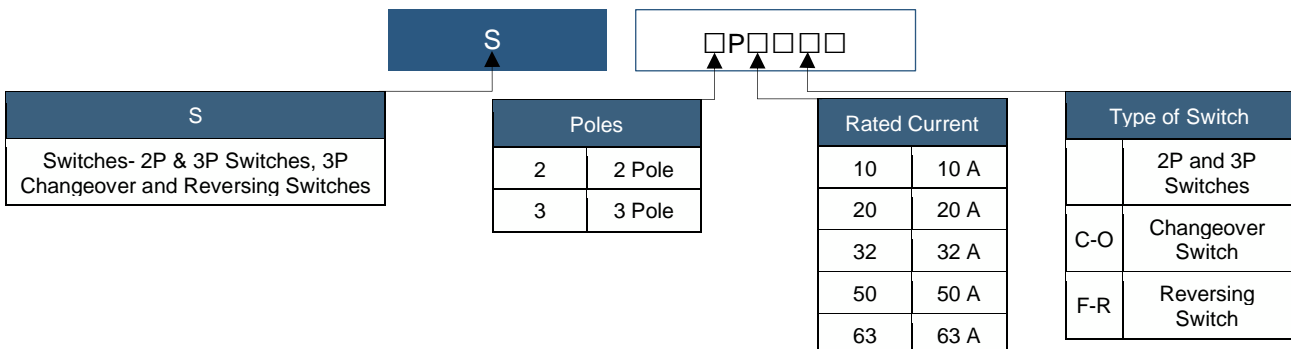
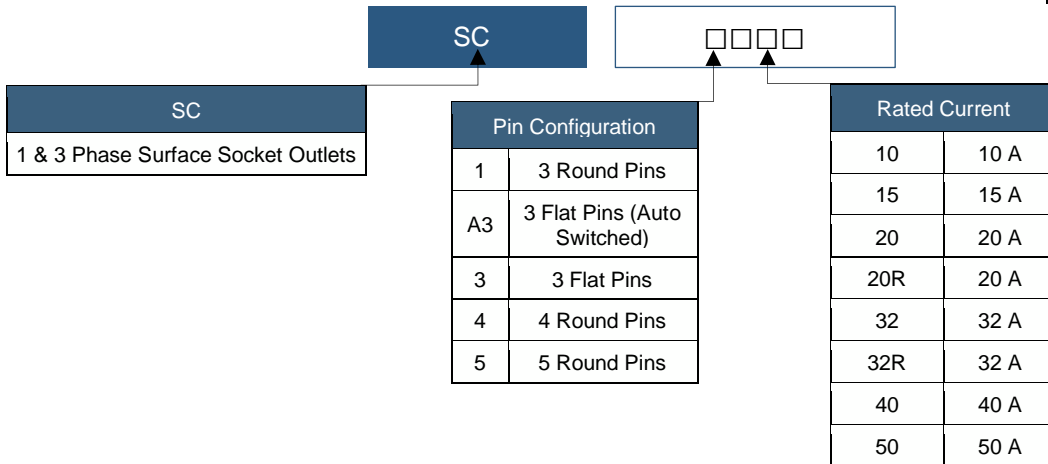
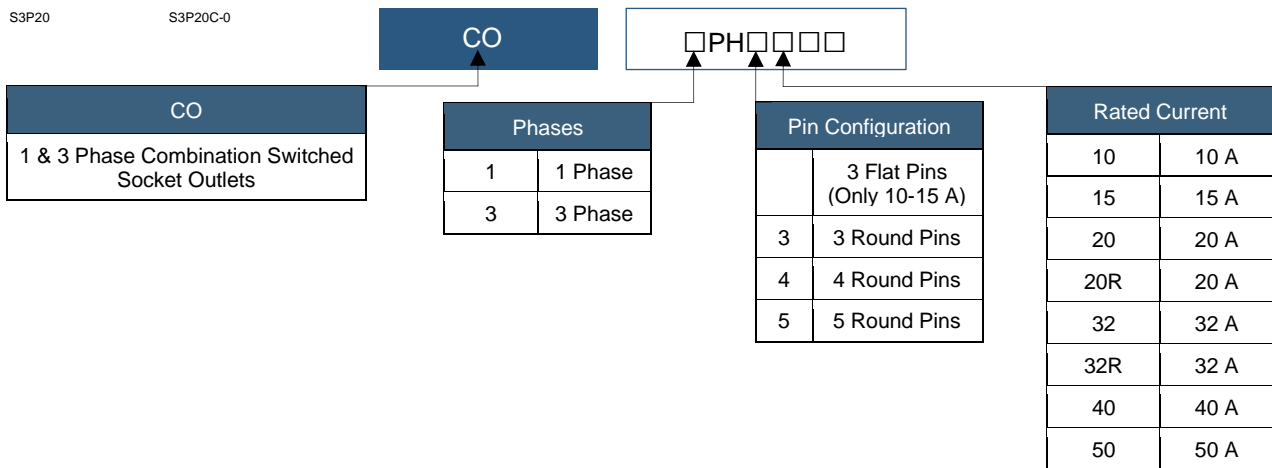


GEN3 1 Phase and 3 Phase Combination Switched Socket Outlets,
 Surface Socket Outlets, Changeover and Reversing Switches



GEN3 Socket Outlets

- Combination Outlet from 10 to 50A
- Available in 3, 4 and 5 pin
- IP Rating; IP66
- Made from PCA 18 virgin grade plastics
- All internal connections have greater than 80% Copper content, which helps with the heat rise.
- Compatible with other major brands
- Standards; Conforming to AS/NZS 3123:2005
- Approval: RCM



Catalogue number: **CO□PH□□□□**
SC□□□□□□, S□P□□□□

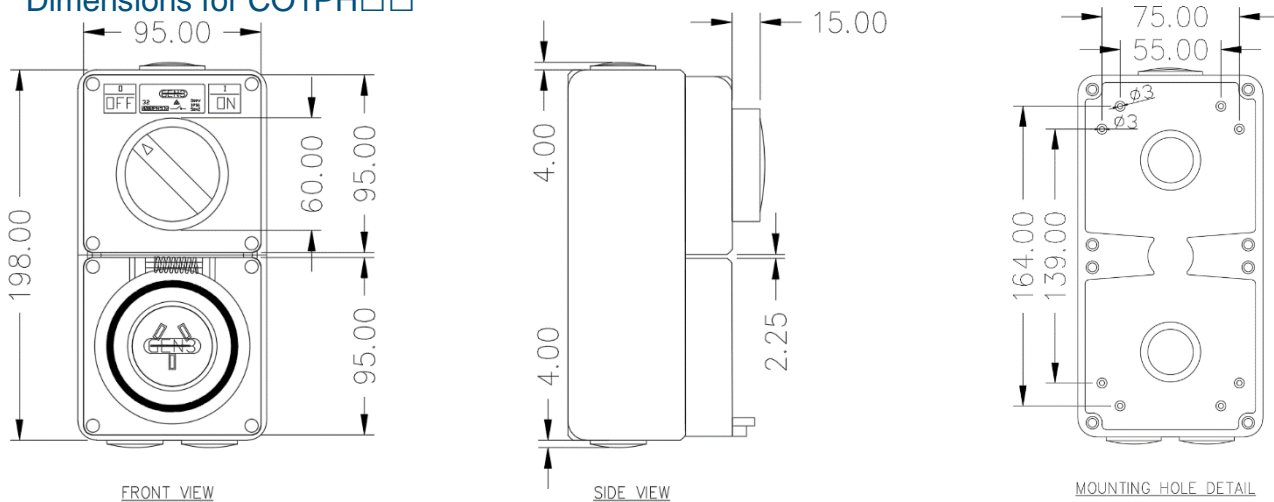


GEN3 1 Phase and 3 Phase Combination Switched Socket Outlets,
 Surface Socket Outlets, Changeover and Reversing Switches

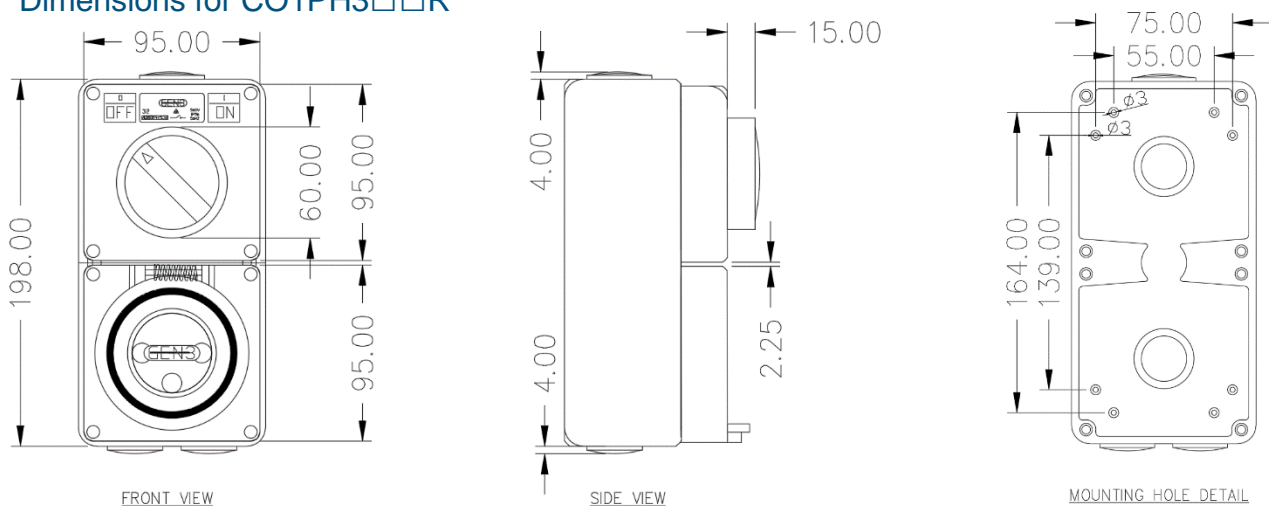
Properties

Properties	
Manufacturer	GEN3
Product Range	GEN3 Industrial Switches and Plug Sets
IP Rating	IP66
Rated Current	10 - 50 A
Rated Voltage	250 V (1 Phase), 500 V (3 Phase)
Standards	AS/NZS 3123:2005

Dimensions for CO1PH□□



Dimensions for CO1PH3□□R



N.A.W. Controls Pty. Ltd.
 Telephone: (03) 9464 6555
www.nawcontrols.com.au

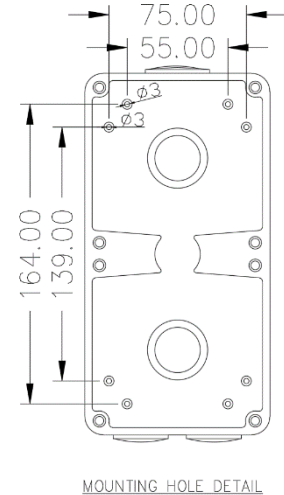
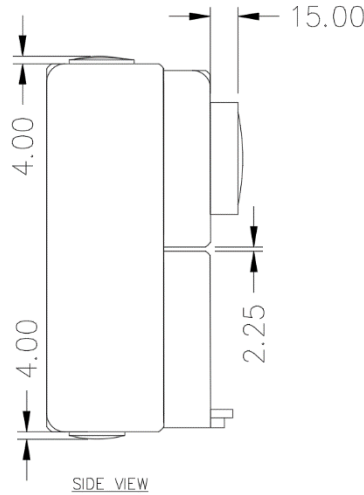
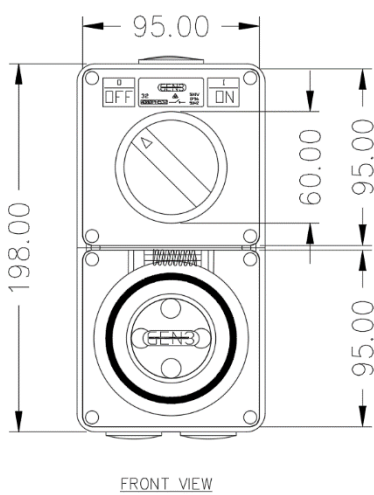
GEN3 Socket Outlets and Switches
 September 2021

Catalogue number: **CO□PH□□□□**
SC□□□□□□, S□P□□□□

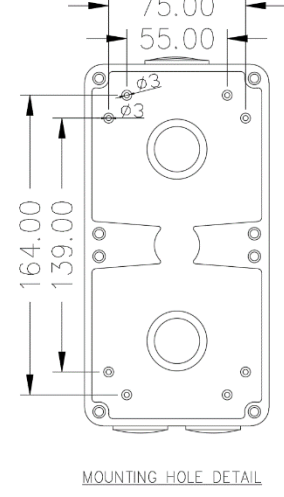
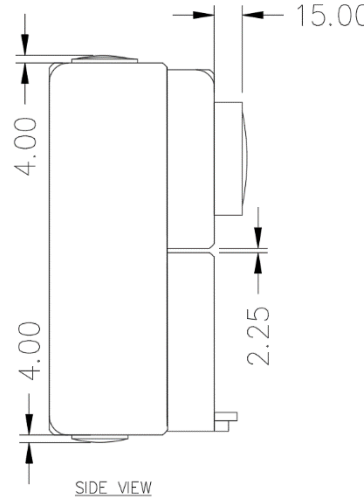
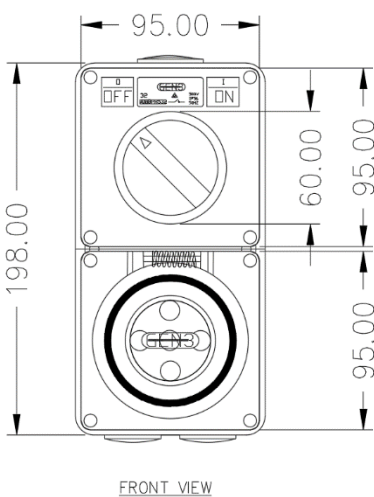


GEN3 1 Phase and 3 Phase Combination Switched Socket Outlets,
 Surface Socket Outlets, Changeover and Reversing Switches

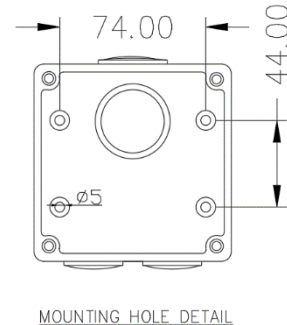
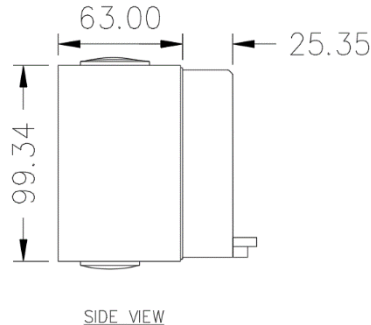
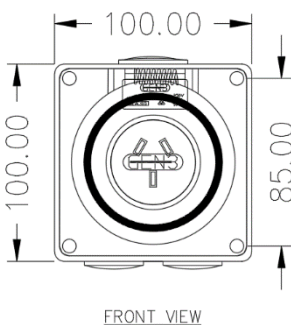
Dimensions for CO3PH4□□



Dimensions for CO3PH5□□



Dimensions for SCA3□□ / SC3□□



N.A.W. Controls Pty. Ltd.
 Telephone: (03) 9464 6555
www.nawcontrols.com.au

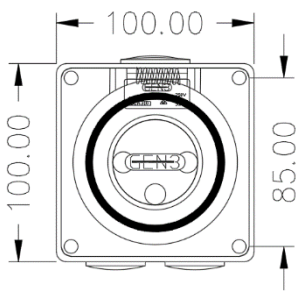
GEN3 Socket Outlets and Switches
 September 2021

Catalogue number: **CO□PH□□□□**
SC□□□□□□, S□P□□□□

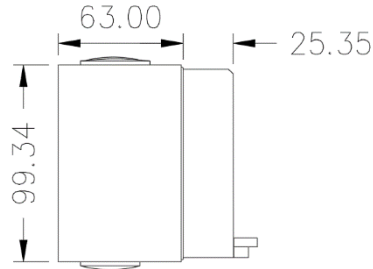


GEN3 1 Phase and 3 Phase Combination Switched Socket Outlets,
 Surface Socket Outlets, Changeover and Reversing Switches

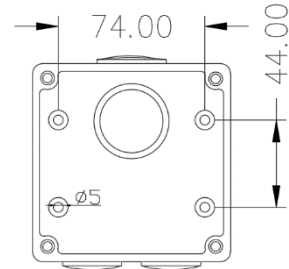
Dimensions for SC1□□R



FRONT VIEW

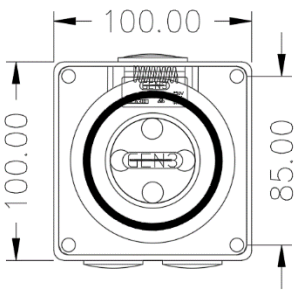


SIDE VIEW

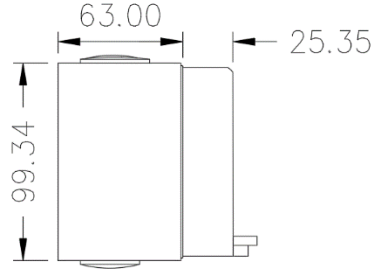


MOUNTING HOLE DETAIL

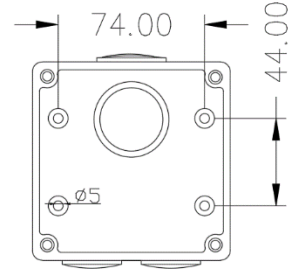
Dimensions for SC4□□



FRONT VIEW

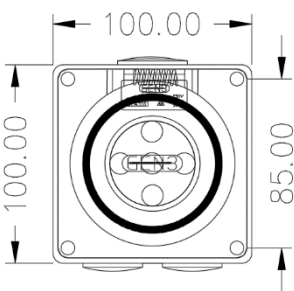


SIDE VIEW

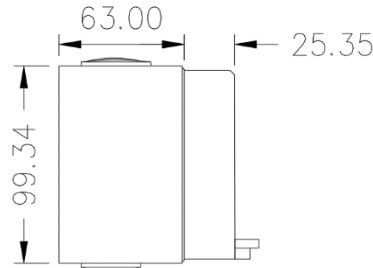


MOUNTING HOLE DETAIL

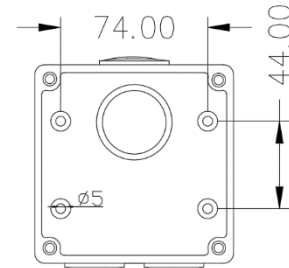
Dimensions for SC5□□



FRONT VIEW

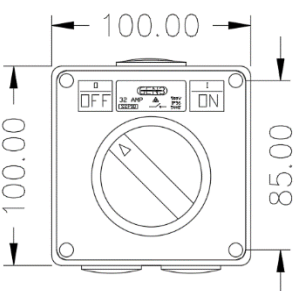


SIDE VIEW

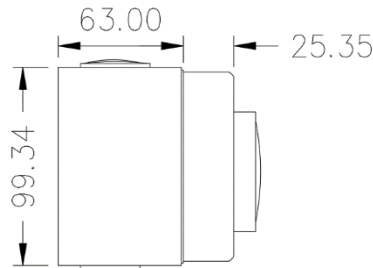


MOUNTING HOLE DETAIL

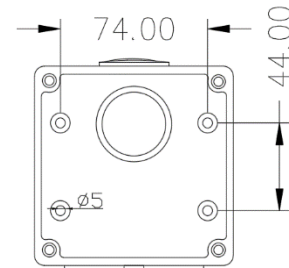
Dimensions for S□P□□



FRONT VIEW



SIDE VIEW



MOUNTING HOLE DETAIL

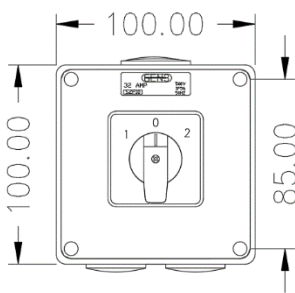


Catalogue number: **CO**□**PH**□□□□
SC□□□□□□, **S**□**P**□□□□

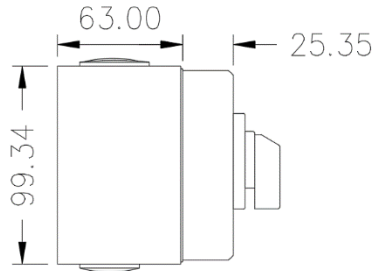


GEN3 1 Phase and 3 Phase Combination Switched Socket Outlets,
 Surface Socket Outlets, Changeover and Reversing Switches

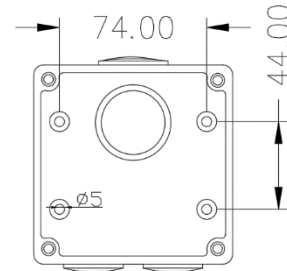
Dimensions for S3P20C-O



FRONT VIEW

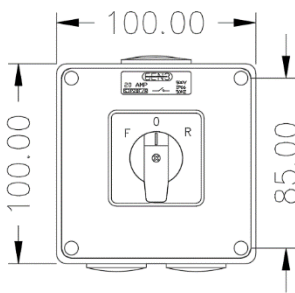


SIDE VIEW

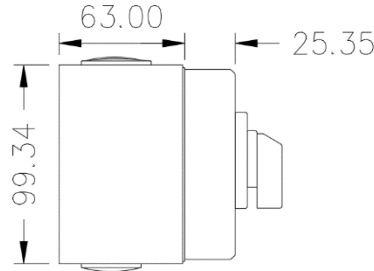


MOUNTING HOLE DETAIL

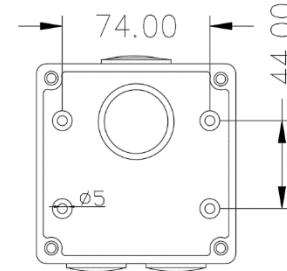
Dimensions for S3P20F-R



FRONT VIEW



SIDE VIEW



MOUNTING HOLE DETAIL

Wiring Instructions for S3P20C-O/S3P20F-R

