

Catalogue number: **NYSOL8-□□-□□**

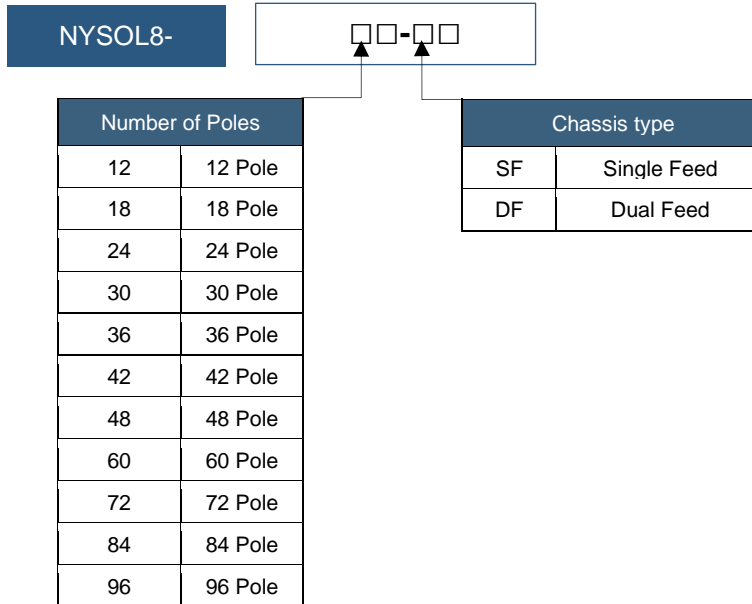


Nysol 250A 3 Phase Disconnect Style Chassis 18mm Pitch



250A 3 Phase Disconnect Style Chassis

- Current Rating: 250A
- Encapsulated Busbar
- Withstand Rating 250A 36kA 0.1s, 10kA 1s
- 18 mm Pitch
- Tee offs insulated and isolated from the busbar by an interlocked isolating switch.
- Standards: AS/NZS 3439, AS 60529, IEC 61439.1 & 61439.2



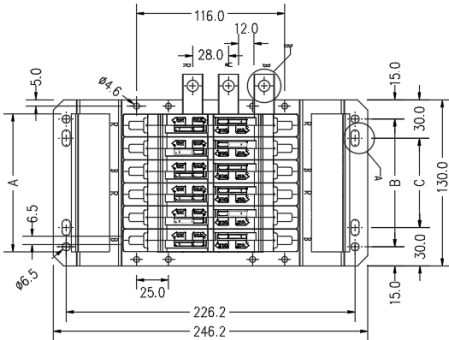
Properties			
Manufacturer	Nysol		
Product Range	Eureka Nysol8 Disconnection Chassis		
Chassis Type	Encapsulated 250A Disconnection Chassis		
Compatible Product Series	MCB's : LSBE and LSBS RCBO's : LSSO and LSTO		
Busbar Thickness	6.35mm Cu		
Pitch	18mm		
Rated Current	In	250A	
Rated Operating Voltage	Un	415V	
Rated Insulation Voltage	Ui	440V	
Rated withstand Impulse Voltage	Uimp	4kV	
Rated Frequency	50/60HZ		
Rated Short-time withstand Current	Icw	0.1s	36kA
		1s	10kA
Rated Peak withstand Current	Ipk	63kA	
Rated Diversity Factor	0.8		
Standard Compliance	AS/NZS 3439 AS/NZS 61439.2 AS/NZS IEC 60947.3 AS/NZS 3000		



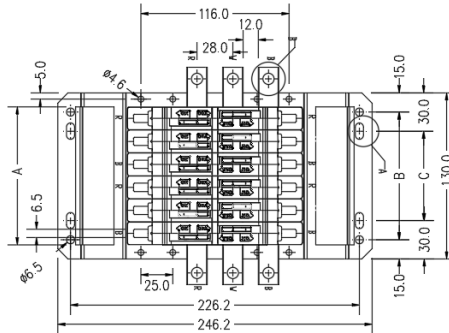
N.A.W. Controls Pty. Ltd.
Telephone: (03) 9464 6555
www.nawcontrols.com.au

Nysol8 250A Chassis
July 2020

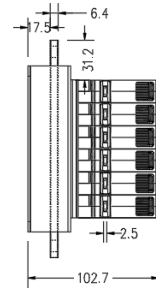
Dimensions for Nysol8-SF, DF



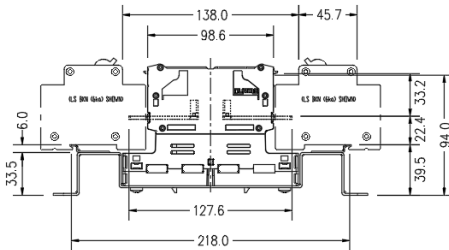
SINGLE FEED
TOP VIEW



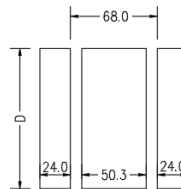
DUAL FEED
TOP VIEW



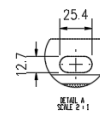
SIDE VIEW



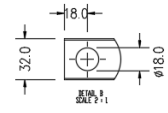
FRONT VIEW
BREAKERS ATTACHED



ESCUTCHEON CUTOUT



DETAIL A



DETAIL B

Part No.	A	B	C	D
Nysol8-12-SF, DF	108	100	70	109.7
Nysol8-18-SF, DF	162	154	124	163.7
Nysol8-24-SF, DF	216	208	178	217.7
Nysol8-30-SF, DF	270	262	232	271.7
Nysol8-36-SF, DF	324	316	286	325.7
Nysol8-42-SF, DF	378	370	340	379.7
Nysol8-48-SF, DF	432	424	394	433.7
Nysol8-60-SF, DF	540	532	502	541.7
Nysol8-72-SF, DF	648	640	610	649.7
Nysol8-84-SF, DF	756	748	718	757.7
Nysol8-96-SF, DF	864	856	826	865.7