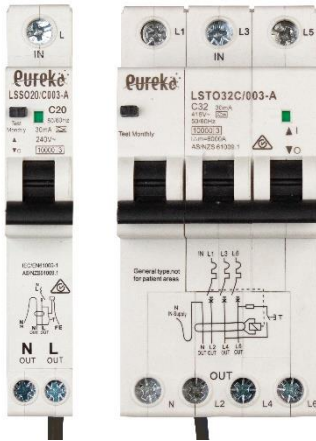


Catalogue number: **LSSO**□□-□□□□-□

**LSTO**□□□□-□□□□

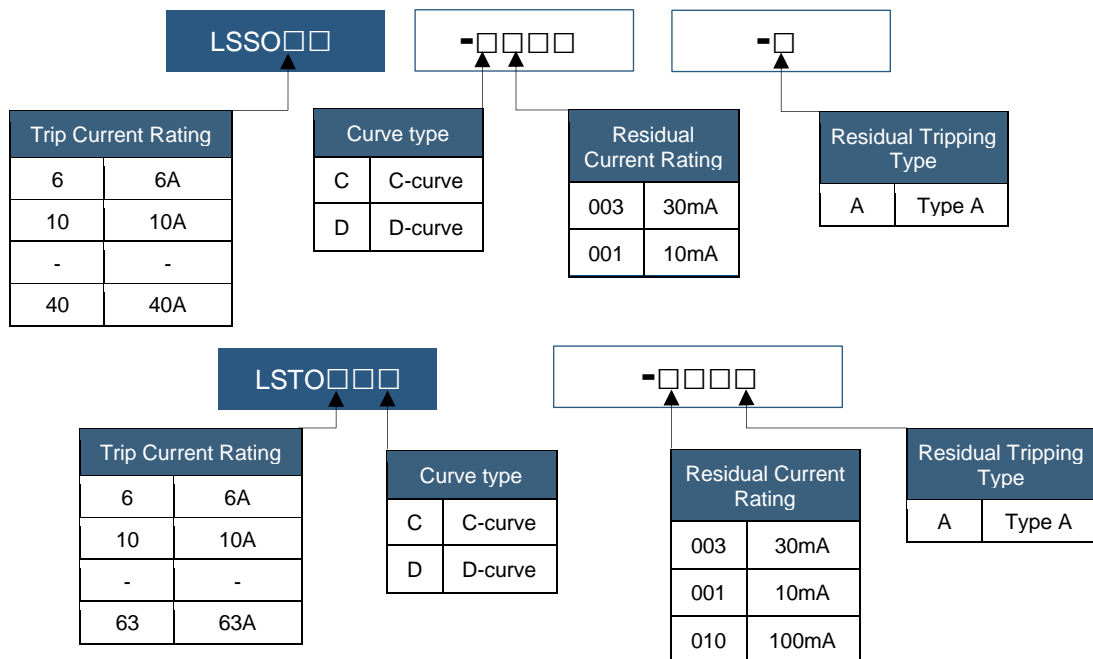


Residual Current Circuit Breaker with Overload Protection



RCBO 10kA C,D Curve 6A~63A

- Overload and short circuit protection
- Earth leakage and residual current protection
- 17.8mm Pitch
- Easy Mounting on 35mm DIN rail
- 1 Pole & 3 Pole Range
- Breaking Capacity 10kA
- C, D curve option
- Thermal Magnetic release
- Standards: Conforming to AS/NZS 61009.1:2015
- Approval: RCM



Characteristics	
Product Range	Eureka RCBO Range
Protection	Overload and short circuit Earth Leakage and Residual Current
Number of poles	1P, 3P
Rated Current (A)	6, 10, 16, 20, 25, 32, 50, 63
Rated Voltage	1 Pole: 230/240VAC 50/60Hz 2,3,4 Pole: 400/415VAC 50/60Hz
Characteristic	C, D curve
Breaking Capacity	Icn=10kA Ics=7.5kA
Terminal	Pillar
Terminal capacity	Cables up to 25mm <sup>2</sup>
Installation	Mounting on 35mm DIN rail
Width	17.8mm per pole
Endurance Electrical	10,000 operations
Endurance Mechanical	30,000 operations
IP degree	IP20
Standard	Conforming to IEC/EN61009-1



N.A.W. Controls Pty. Ltd.  
Telephone: (03) 9464 6555  
www.nawcontrols.com.au

Eureka MCB LSSO & LSTO range  
September 2020

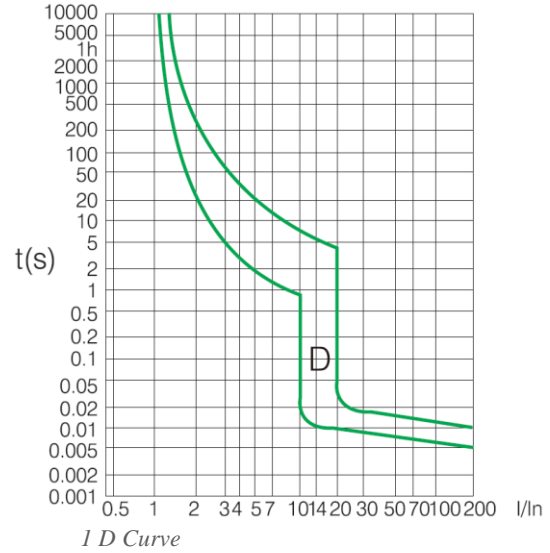
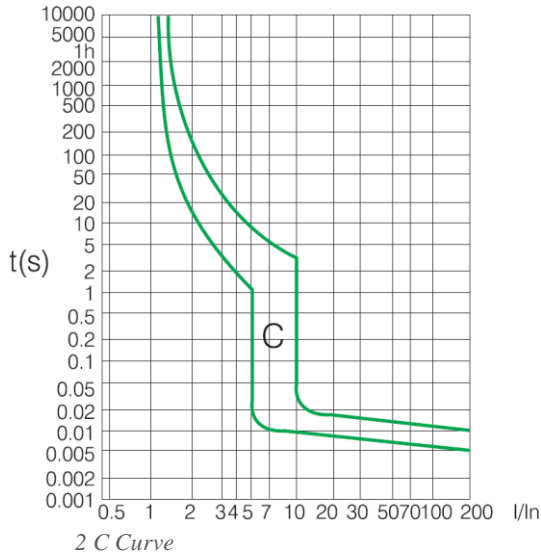
Catalogue number: **LSSO**□□-□□□□-□

**LSTO**□□□-□□□□



Residual Current Circuit Breaker with Overload Protection

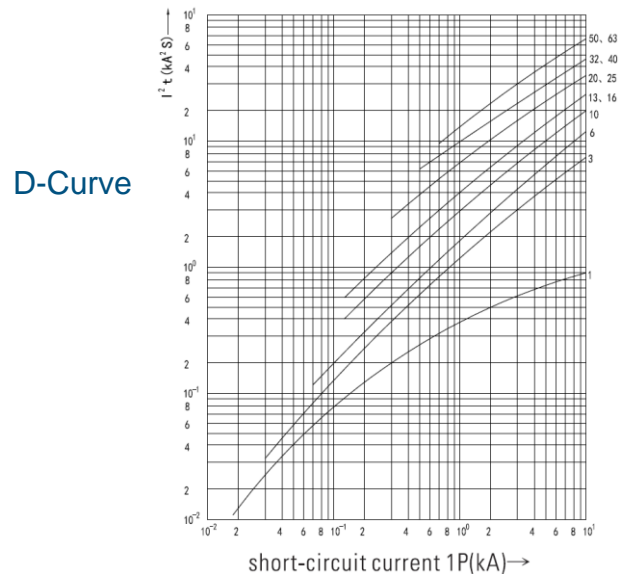
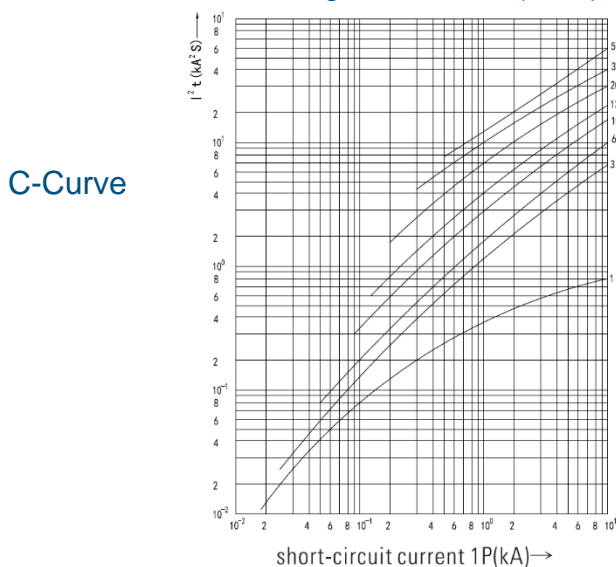
### Characteristic Curve



### Temperature Compensation Table

In(A)	-40	-30	-20	-10	0	10	20	30	40	50	60
0.5	0.61	0.60	0.59	0.57	0.59	0.54	0.52	0.50	0.47	0.44	0.41
1	1.22	1.20	1.18	1.15	1.12	1.09	1.05	1.00	0.94	0.88	0.82
1.6	1.95	1.92	1.89	1.84	1.79	1.74	1.68	1.60	1.51	1.42	1.32
2	2.44	2.40	2.36	2.30	2.24	2.18	2.10	2.00	1.88	1.77	1.65
4	4.88	4.80	4.72	4.61	4.49	4.36	4.20	4.00	3.77	3.55	3.29
6	7.32	7.20	7.09	6.91	6.73	6.54	6.31	6.00	5.66	5.33	4.94
10	12.20	12.00	11.80	11.50	11.20	10.90	10.50	10.00	9.44	8.89	8.23
13	15.90	15.60	15.40	14.90	14.50	14.10	13.60	13.00	12.20	11.50	10.70
16	19.50	19.20	18.90	18.40	17.90	17.40	16.80	16.00	15.10	14.20	13.20
20	24.40	24.00	23.60	23.00	22.40	21.80	21.00	21.00	18.80	17.70	16.50
25	30.50	30.00	29.50	28.80	28.00	27.20	26.30	25.00	23.60	22.20	20.60
32	39.00	38.40	37.80	36.90	35.90	34.90	33.60	32.00	30.20	28.40	26.30
40	48.80	48.00	47.80	46.10	44.90	43.60	42.00	40.00	37.70	35.50	32.90
50	61.00	60.00	59.10	57.60	56.10	54.50	52.60	50.00	47.20	44.40	41.20
63	76.90	75.60	74.40	72.60	70.70	68.70	66.20	63.00	59.40	56.00	51.90

### Short-Circuit Let-through current $I^2t$ (kA<sup>2</sup>s)

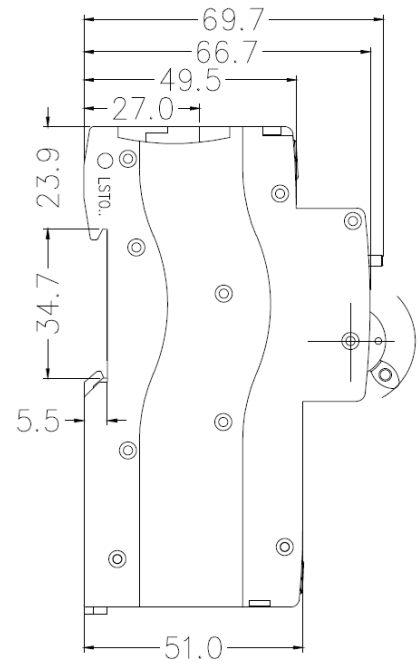
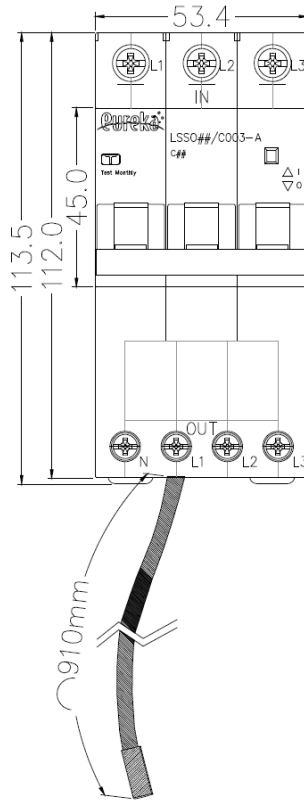
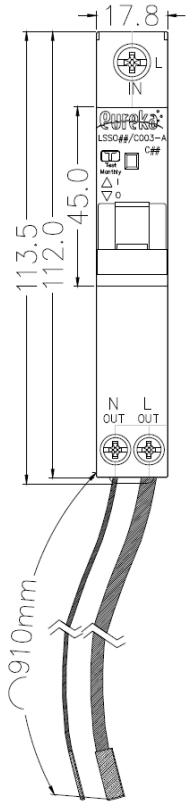


Catalogue number: **LSBE□P□□-□**

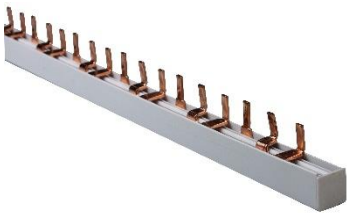
Miniature circuit breaker 1-63A C,D curve 6kA



### Dimensions



### Accessories



#### BB101

1m length commoning bar 1 pole

#### BB301

1m length commoning bar 3 pole



#### MCBLDOG

Lock dog to suit all miniature circuit breaker



#### EUR-PF6

6 Pole pole filler

**\*\*All accessories must be ordered separately; they do not come with the product.**



N.A.W. Controls Pty. Ltd.  
Telephone: (03) 9464 6555  
www.nawcontrols.com.au

Eureka MCB LSSO & LSTO range  
September 2020