



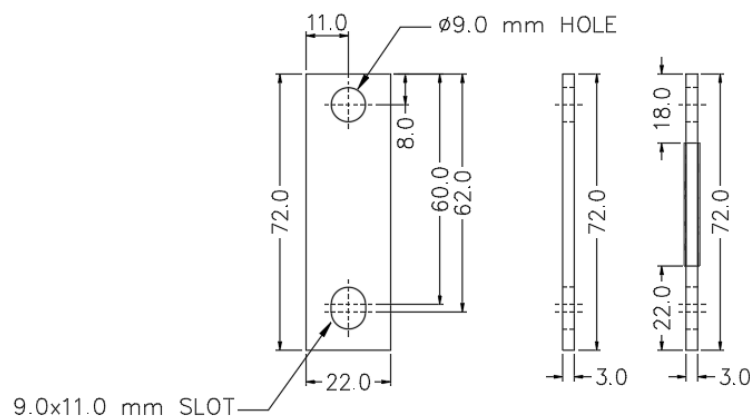
DB-MET KIT 1

- The Eureka range of Distribution boards have been adapted to fit a unique metering system which is easily fitted to new Eureka Distribution boards.
- The system can also be fitted to standalone EMS style or flat pan MCB chassis with the simple addition of numerous copper tags and shrouds.

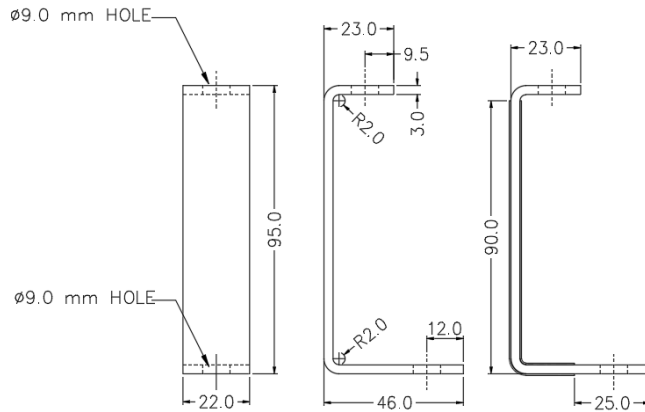
Part No.	Inclusive Parts	Description
DB-MET KIT 1	DB-METTAGS1 DB-MET SHROUD1 Nuts, Bolts & Washers	CT mounting kit to suit EMS chassis metering
DB-MET KIT 2	DB-METTAGS1 DB-MET SHROUD1 DB-METTAGS2 DB-MET SHROUD2 Nuts, Bolts & Washers	CT mounting kit to suit flat pan single and multiple chassis

Dimensions

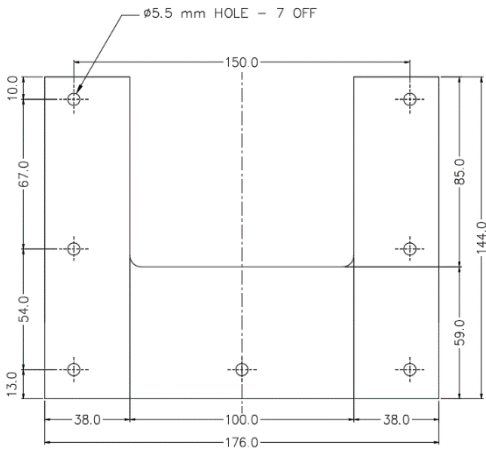
DB-METTAGS1



DB-METTAGS1

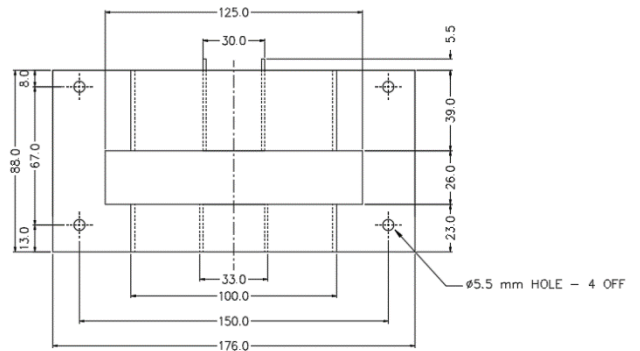


DB-MET Shroud 1



TOP VIEW

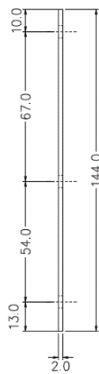
(MATERIAL - 2.0mm CLEAR POLYCARBONATE)



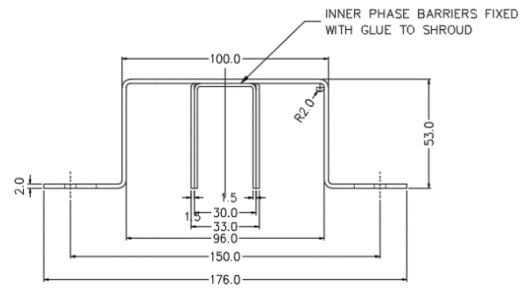
TOP VIEW

(MATERIAL - 2.0mm CLEAR POLYCARBONATE)

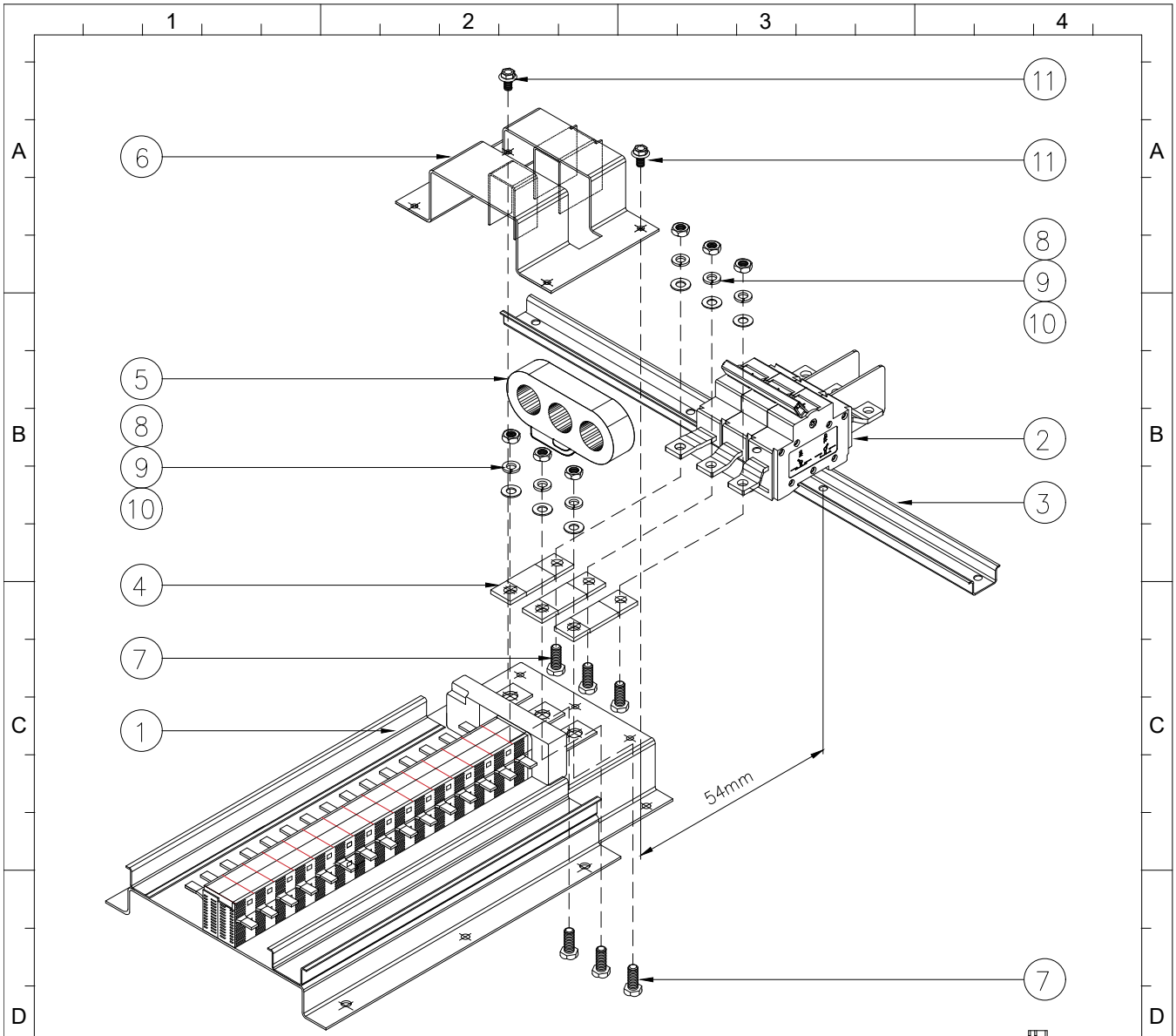
DB-MET Shroud 2



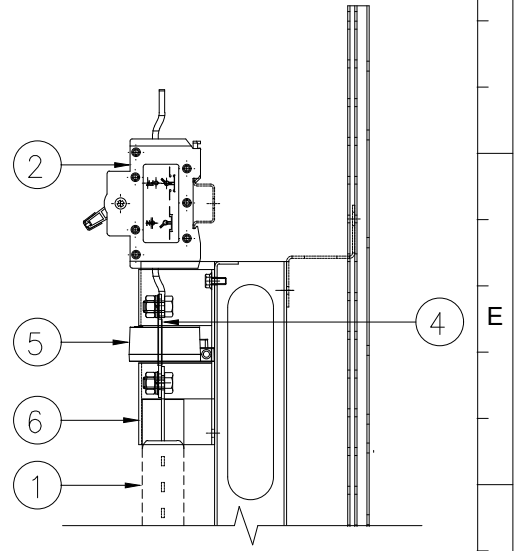
SIDE VIEW





SIDE VIEW

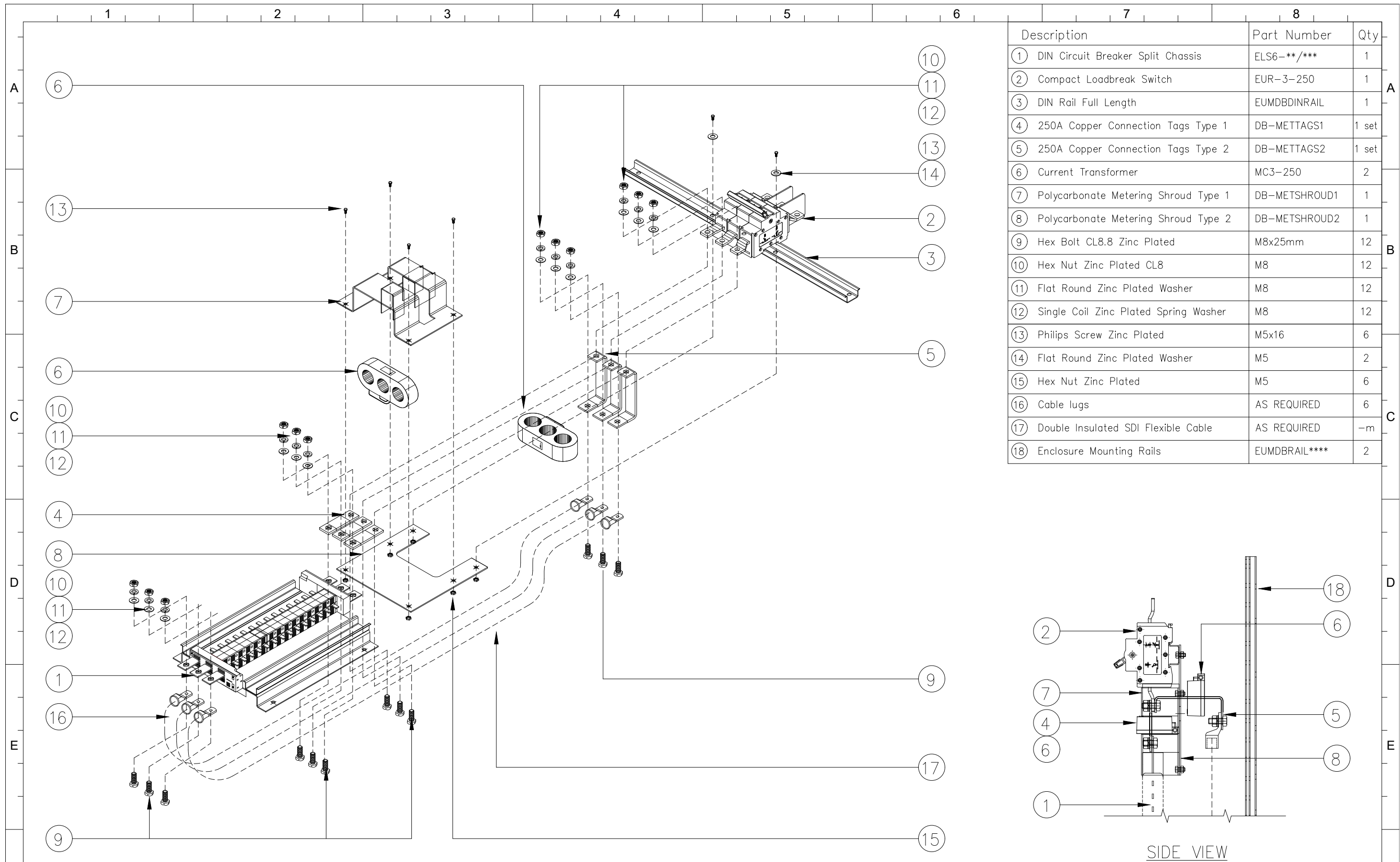


Description	Part Number	Qty
① DIN Circuit Breaker Chassis EMS Type	ELS6-**-**EM1	1
② Compact Loadbreak Switch	EUR-3-250	1
③ DIN Rail Full Length	EUMDBDINRAIL	1
④ 250A Copper Connection Tags Type 1	DB-METTAGS1	1 set
⑤ Current Transformer	MC3-250	1
⑥ Polycarbonate Metering Shroud Type 1	DB-METSHROUD1	1
⑦ Hex Bolt CL8.8 Zinc Plated	M8x25mm	6
⑧ Hex Nut Zinc Plated CL8	M8	6
⑨ Flat Round Zinc plated Washer	M8	6
⑩ Single Coil Zinc plated Spring Washer	M8	6
⑪ Metal Tread Hex Bolt Zinc Plated	M6x25	2

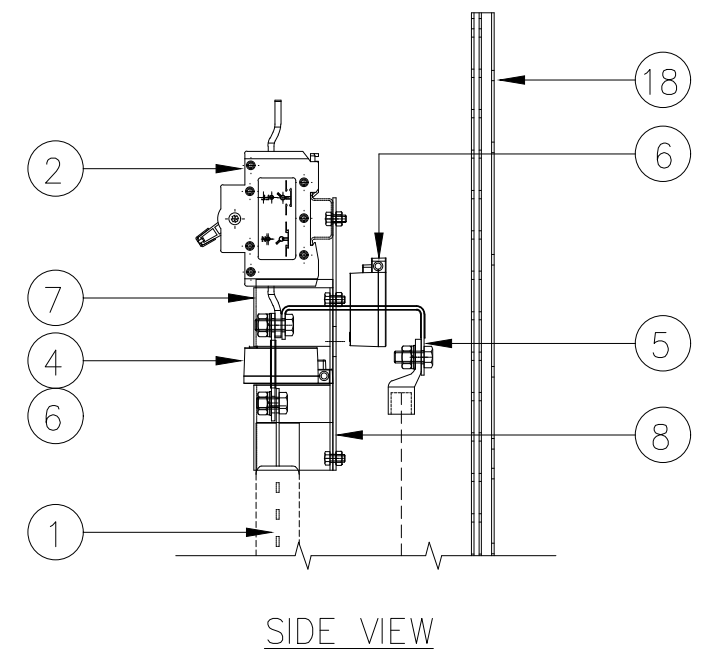


SIDE VIEW

SCALE: 1:5					EUREKA DISTRIBUTION BOARD EMS CHASSIS METERING INSTRUCTION SHEET DB-MET KIT 1		 		A4			
ENGINEERED M.M.											PAGE	
DRAWN M.M.											1	
APPROVED					DRAWING No. 5000-5401		REV: 1		OF 1			
1	ISSUED FOR INFORMATION	17.06.20	S.F		DATE	15.10.2014						
0	ISSUED FOR APPROVAL	15.10.14	M.M.	M.M.								
REV	DESCRIPTION	DATE	DRAWN	APPROVED	DATE	15.10.2014						



Description	Part Number	Qty
① DIN Circuit Breaker Split Chassis	ELS6-*/**	1
② Compact Loadbreak Switch	EUR-3-250	1
③ DIN Rail Full Length	EUMDBDINRAIL	1
④ 250A Copper Connection Tags Type 1	DB-METTAGS1	1 set
⑤ 250A Copper Connection Tags Type 2	DB-METTAGS2	1 set
⑥ Current Transformer	MC3-250	2
⑦ Polycarbonate Metering Shroud Type 1	DB-METSHROUD1	1
⑧ Polycarbonate Metering Shroud Type 2	DB-METSHROUD2	1
⑨ Hex Bolt CL8.8 Zinc Plated	M8x25mm	12
⑩ Hex Nut Zinc Plated CL8	M8	12
⑪ Flat Round Zinc Plated Washer	M8	12
⑫ Single Coil Zinc Plated Spring Washer	M8	12
⑬ Philips Screw Zinc Plated	M5x16	6
⑭ Flat Round Zinc Plated Washer	M5	2
⑮ Hex Nut Zinc Plated	M5	6
⑯ Cable lugs	AS REQUIRED	6
⑰ Double Insulated SDI Flexible Cable	AS REQUIRED	-m
⑱ Enclosure Mounting Rails	EUMDBRAIL****	2



REV	DESCRIPTION	DATE	DRAWN	APPROVED	DATE
2	ISSUED FOR INFORMATION	17.06.2020	S.F.		
1	ISSUED FOR INFORMATION	18.10.2017	D.J.		
0	ISSUED FOR APPROVAL	13.11.2014	M.M.		

SCALE.	N.T.S.
ENGINEERED	M.M.
DRAWN	M.M.
APPROVED	
DATE	13.11.2014

EUREKA DISTRIBUTION BOARD
SPLIT CHASSIS METERING
INSTRUCTION SHEET
DB-MET KIT 2

98 Commercial Drive, Thomastown VIC 3074
www.nawcontrols.com.au
www.eurekaelectrical.com.au

DRAWING No. 5000-5402 REV: 1

A3
PAGE 1
OF 1