



Inner Door and Standoff Brackets to suit Eureka Wall Mount Enclosures

- Adaptable for CVS Mild Steel and Stainless-Steel enclosures
- Material: Powder Coated Mild Steel
- Inner Door to suit enclosures above 400mm height
- Inner Doors also available for double door enclosures
- Compact installation
- Standoff brackets: pack of 4, does not come with IDK kit needs to be ordered separately.

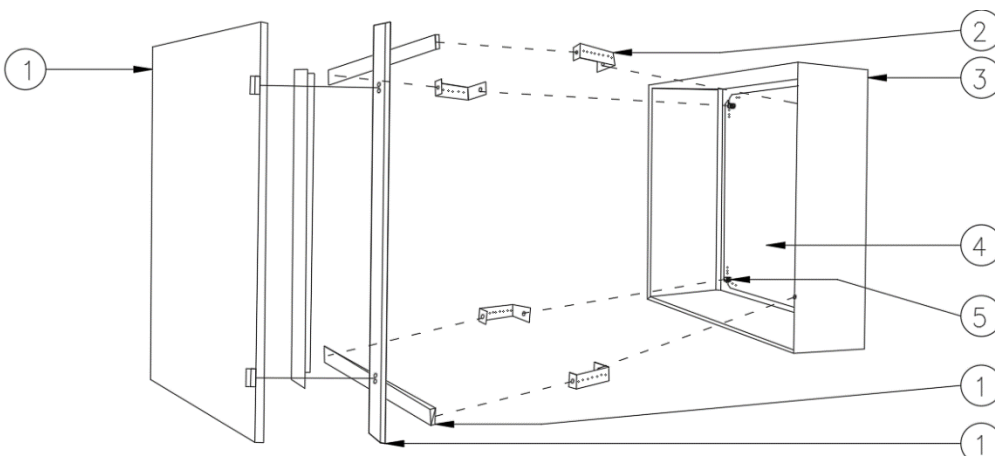
| Part No.          | Description  |
|-------------------|--|
| EUR-CVS IDK4040   | Inner door to suit enclosure of 400mm height and 400mm width               |
| EUR-CVS IDK5040   | Inner door to suit enclosure of 500mm height and 400mm width               |
| EUR-CVS IDK5050   | Inner door to suit enclosure of 500mm height and 500mm width               |
| EUR-CVS IDK6040   | Inner door to suit enclosure of 600mm height and 400mm width               |
| EUR-CVS IDK6050   | Inner door to suit enclosure of 600mm height and 500mm width               |
| EUR-CVS IDK6060   | Inner door to suit enclosure of 600mm height and 600mm width               |
| EUR-CVS IDK7050   | Inner door to suit enclosure of 700mm height and 500mm width               |
| EUR-CVS IDK8060   | Inner door to suit enclosure of 800mm height and 600mm width               |
| EUR-CVS IDK8080   | Inner door to suit enclosure of 800mm height and 800mm width               |
| EUR-CVS IDK10060  | Inner door to suit enclosure of 1000mm height and 600mm width              |
| EUR-CVS IDK10080  | Inner door to suit enclosure of 1000mm height and 800mm width              |
| EUR-CVS IDK12080  | Inner door to suit enclosure of 1200mm height and 800mm width              |
| EUR-CVS IDK100100 | Inner door to suit double door enclosure of 1000mm height and 1000mm width |
| EUR-CVS IDK120100 | Inner door to suit double door enclosure of 1200mm height and 1000mm width |

| Part No.       | Description  |
|----------------|--|
| EUR-CVS SOB200 | Inner door mounting brackets for enclosure depth 200mm |
| EUR-CVS SOB250 | Inner door mounting brackets for enclosure depth 250mm |
| EUR-CVS SOB300 | Inner door mounting brackets for enclosure depth 300mm |

Example: Inner door to suit EUR705025

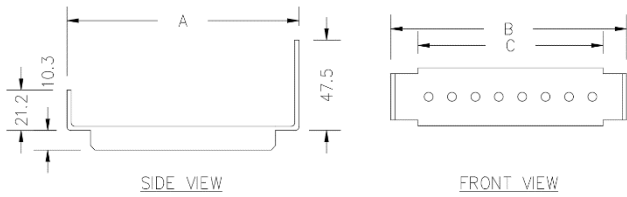
- Inner door- EUR-CVS IDK7050- Inner door to suit enclosure of 700mm height and 500mm width
- Brackets- EUR-CVS SOB 250- Standoff brackets (set of 4) to suit 250mm depth enclosure



- ① Inner Door EUR-CVS IDK\_\_\_\_\_
- ② Stand Off Brackets to suit Inner Door EUR-CVS SOB\_\_\_\_\_
- ③ CVS Enclosure EUR\_\_\_\_\_/CRX\_\_\_\_\_/CRXX\_\_\_\_\_
- ④ Gear Tray
- ⑤ Gear Tray Bolt

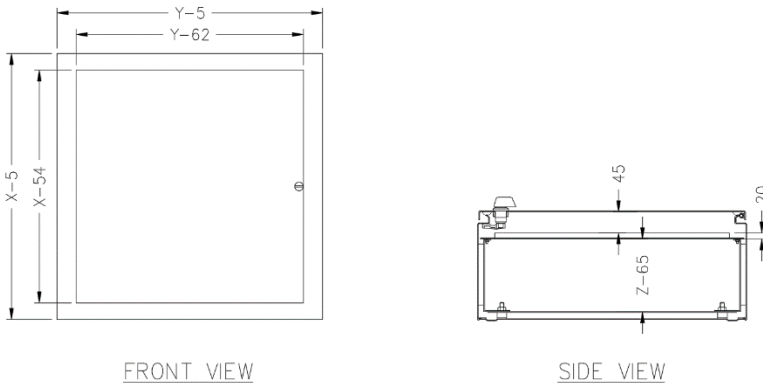
Inner Door & Standoff Brackets to suit Inner Door

**Dimensions for EUR-CVS SOB; Stand Off Bracket**



| Part No.       | A   | B   | C   |
|----------------|-----|-----|-----|
| EUR-CVS SOB200 | 122 | 97  | 124 |
| EUR-CVS SOB250 | 172 | 147 | 172 |
| EUR-CVS SOB300 | 222 | 197 | 222 |

**Dimensions for EUR-CVS IDK; Inner Door**



INNER DOOR FITTED TO THE ENCLOSURE  
Z-65: SPACE AVAILABLE FOR MOUNTING COMPONENTS

| X-Enclosure Height/mm | Y-Enclosure Width/mm | Z-Enclosure Depth/mm | Inner Door Part No. | Bracket Part No. |
|-----------------------|----------------------|----------------------|---------------------|------------------|
| 400                   | 400                  | 203                  | EUR-CVS IDK4040     | EUR-CVS SOB200   |
| 500                   | 400                  | 203                  | EUR-CVS IDK5040     | EUR-CVS SOB200   |
| 500                   | 400                  | 253                  | EUR-CVS IDK5040     | EUR-CVS SOB250   |
| 500                   | 500                  | 203                  | EUR-CVS IDK5050     | EUR-CVS SOB200   |
| 500                   | 500                  | 253                  | EUR-CVS IDK5050     | EUR-CVS SOB250   |
| 600                   | 400                  | 203                  | EUR-CVS IDK6040     | EUR-CVS SOB200   |
| 600                   | 400                  | 253                  | EUR-CVS IDK6040     | EUR-CVS SOB250   |
| 600                   | 500                  | 203                  | EUR-CVS IDK6050     | EUR-CVS SOB200   |
| 600                   | 500                  | 253                  | EUR-CVS IDK6050     | EUR-CVS SOB250   |
| 600                   | 600                  | 203                  | EUR-CVS IDK6060     | EUR-CVS SOB200   |
| 600                   | 600                  | 253                  | EUR-CVS IDK6060     | EUR-CVS SOB250   |
| 600                   | 600                  | 303                  | EUR-CVS IDK6060     | EUR-CVS SOB300   |
| 700                   | 500                  | 203                  | EUR-CVS IDK7050     | EUR-CVS SOB200   |
| 700                   | 500                  | 253                  | EUR-CVS IDK7050     | EUR-CVS SOB250   |
| 800                   | 600                  | 203                  | EUR-CVS IDK8060     | EUR-CVS SOB200   |
| 800                   | 600                  | 253                  | EUR-CVS IDK8060     | EUR-CVS SOB250   |
| 800                   | 600                  | 303                  | EUR-CVS IDK8060     | EUR-CVS SOB300   |
| 800                   | 800                  | 203                  | EUR-CVS IDK8080     | EUR-CVS SOB200   |
| 800                   | 800                  | 253                  | EUR-CVS IDK8080     | EUR-CVS SOB250   |
| 800                   | 800                  | 303                  | EUR-CVS IDK8080     | EUR-CVS SOB300   |
| 1000                  | 600                  | 253                  | EUR-CVS IDK10060    | EUR-CVS SOB250   |
| 1000                  | 600                  | 303                  | EUR-CVS IDK10060    | EUR-CVS SOB300   |
| 1000                  | 800                  | 253                  | EUR-CVS IDK10080    | EUR-CVS SOB250   |
| 1000                  | 800                  | 303                  | EUR-CVS IDK10080    | EUR-CVS SOB300   |
| 1000                  | 1000                 | 303                  | EUR-CVS IDK100100   | EUR-CVS SOB300   |
| 1200                  | 800                  | 303                  | EUR-CVS IDK12080    | EUR-CVS SOB300   |
| 1200                  | 1000                 | 303                  | EUR-CVS IDK120100   | EUR-CVS SOB300   |