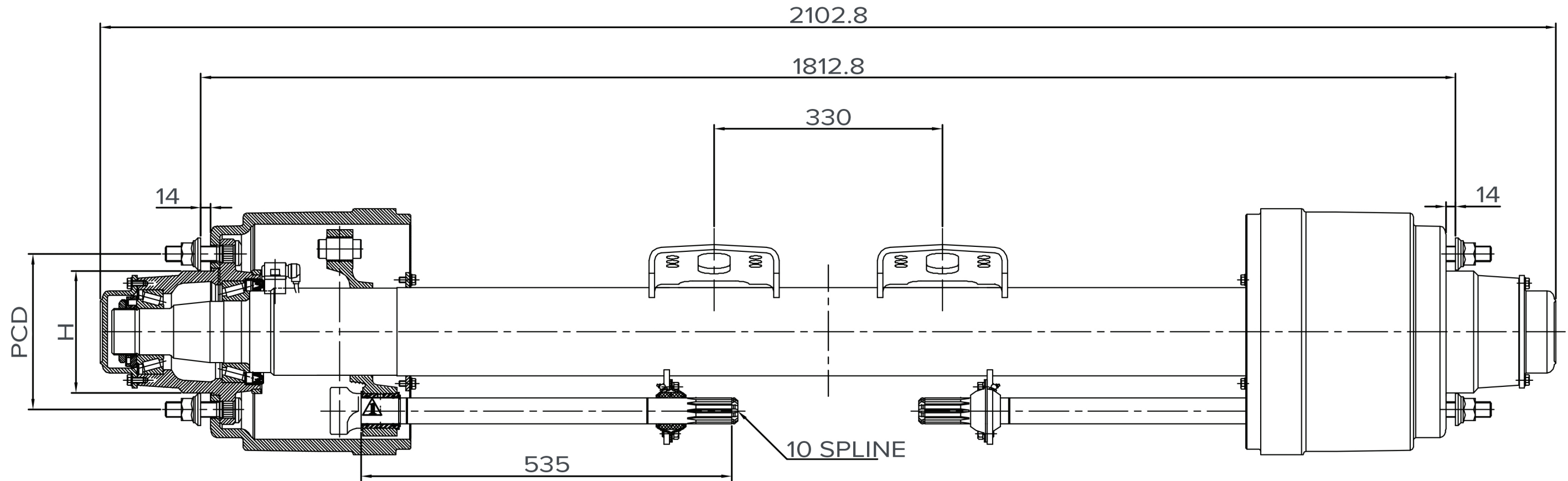


50342-MTE

Drum Brake Axle



Axle Type	Max Capacity	Total Length	Track	Centre Distance Of Brake Chamber	Axle Tube	Brake	Cam Type	Stud	PCD	H	Recommended Wheel	Bearing
AL121812W MTE214	12,000kg	2103mm	1813mm	330mm	127x16mm	310x190mm	S Cam	10-M22 x 1.5 ISO	225mm	176mm	6.5-15 17.5x6.75	HM212049/011 HM218248/210