

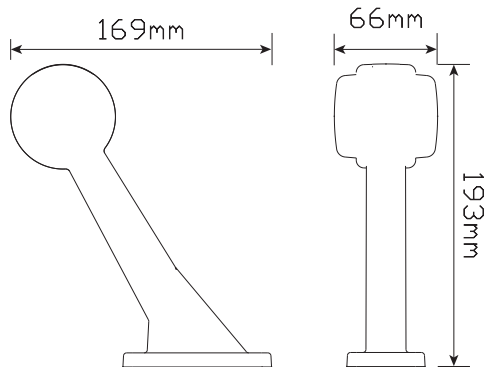
1004 Series Marker Lamps

- Rubber housing design
- ADR approved
- IP67 100% Water proof
- Voltage Range 12-24 Volt

Function	Marker Lamps	
Size	193mm x 169mm x 66mm	
Voltage	12-24 Volt	
Cable	40cm	
Lens	PMMA Acrylic	
Base	Rubber	

Draw	Red	Amber
@13.8V	0.03A	0.06A
@28V	0.04A	0.04A

Approvals	Function	Category	CRN
ADR	Side Marker	45/01	43129



Part Number
1004L - LHS Bulk Poly Bag



Part Number
1004R - RHS Bulk Poly Bag

ADR
Approved

100%
Water Proof

5 Year
Warranty

Fitting Instructions

Fix to flat surface, amber facing forward and red facing to the back.
Please refer to ADR 13/00 for mounting instructions.