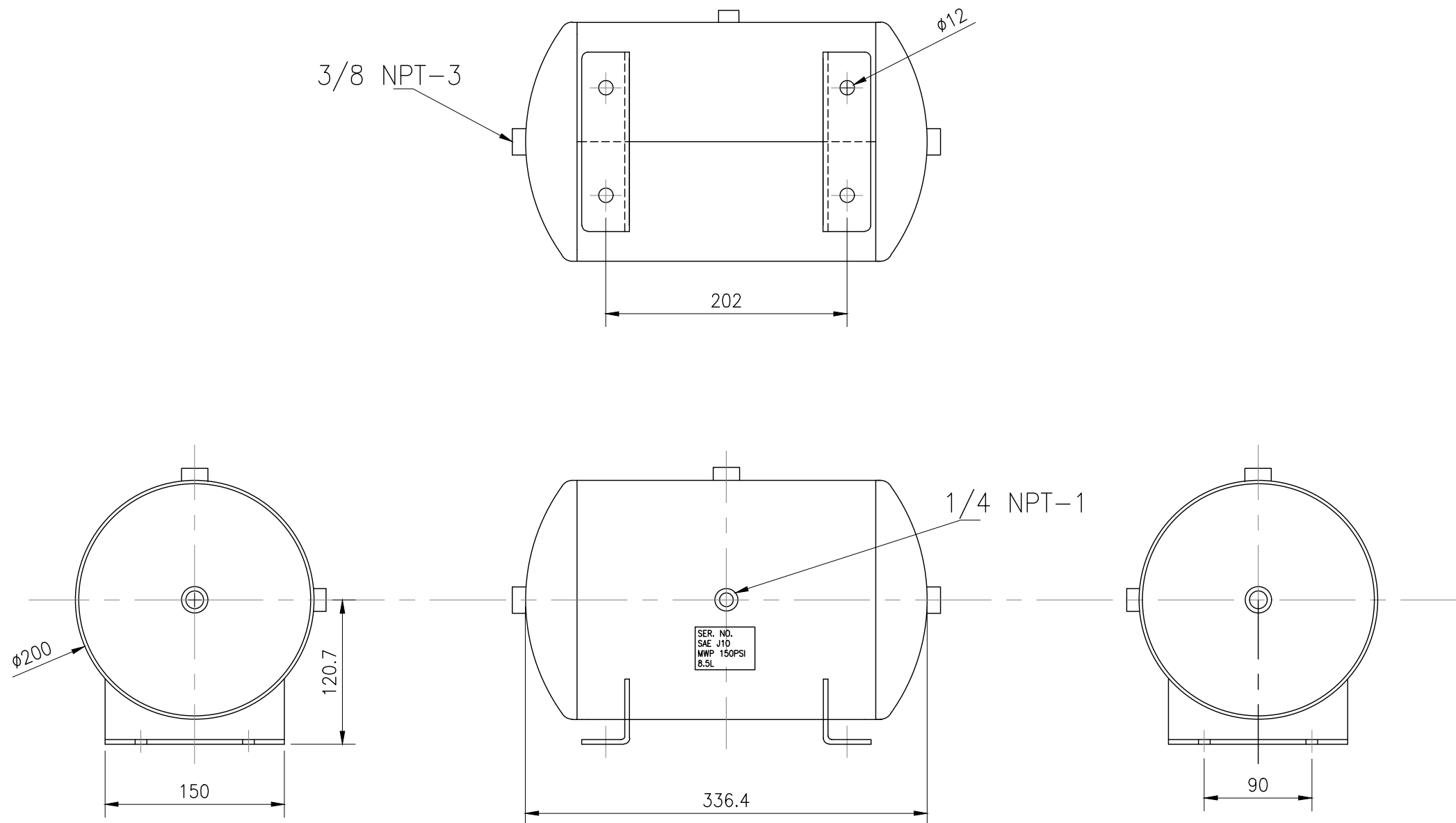


IF IN DOUBT, ASK! DO NOT SCALE



NOTE:
 VOLUME: 8.5L
 NORM: SAE J10 NOV 07
 WORKING PRESSURE: 150PSI
 MEET SAE J10 NOV 07 STANDARD REQUIREMENTS

Aluminum 8.5 Litre Air tank, 2 Port, Saddle Mounted
 PN: 174008
 DWG: C-Ata016
 Material: Aluminium
 Supplier Ref. 83086010008

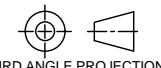
REV	DESCRIPTION	DRAWN	CHKD	DATE
0	FIRST ISSUE	ARa	ARa	03.06.20

MIKE'S TRANSPORT WAREHOUSE LTD



State Highway 1 North
 P.O.Box 10028, Te Rapa,
 Hamilton, New Zealand
 Ph: (64-7) 850 8333
 Fax: (64-7) 850 8200

THIRD ANGLE PROJECTION



All dims are in mm Remove burrs & sharp edges ±0.15 tolerance for dims with decimal

This drawing is not to be used by any third party, unless approval is obtained in writing from MODERN TRANSPORT ENGINEERS LTD.

ALUMINUM 8.5 LITRE AIR TANK, 2 PORT, SADDLE MOUNTED

DRAWN	ARa	Parts No.	174008
CHECKED	ARa	DRAWING NUMBER	C-Ata016
DATE	30.06.20	SHEET	1 OF 1
SCALE	NTS	A3 ON CAD	

REV.
0