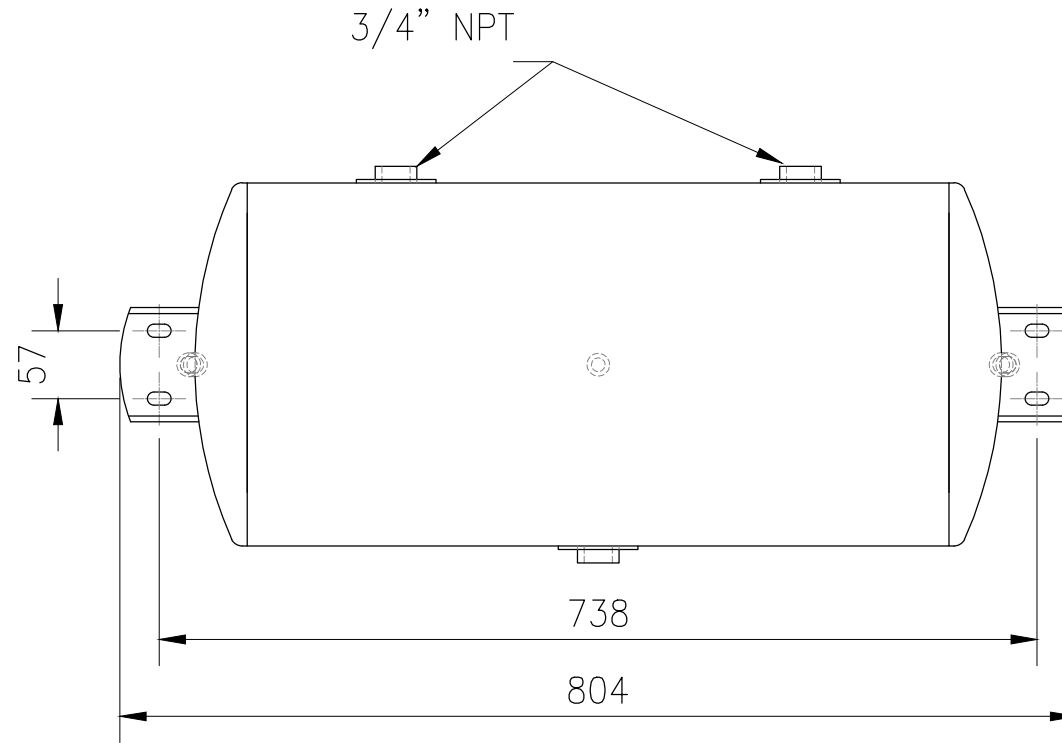
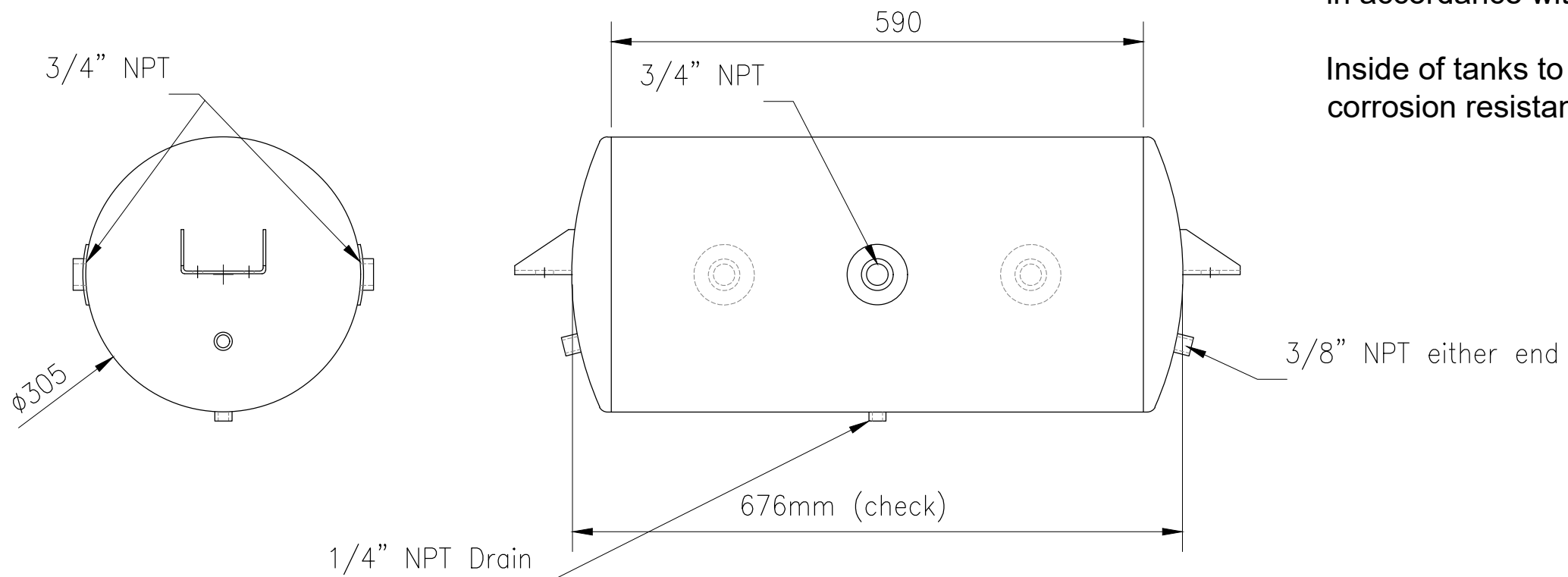


IF IN DOUBT, ASK! DO NOT SCALE



NOTE :
Tanks to be manufactured in accordance with ISO 9002

Inside of tanks to be primed with corrosion resistant etch primer




Steel 46 Litre Air tank, 3 Port, End Mounted
 PN: 173046
 DWG: C-Ata002
 Material: 3mm M/S (350MPa)

REV	DESCRIPTION	DRAWN	CHKD	DATE
0	FIRST ISSUE	LW		14.09.09

MIKE'S TRANSPORT WAREHOUSE LTD

 State Highway 1 North
 P.O.Box 10028, Te Rapa,
 Hamilton, New Zealand
 Ph: (64-7) 850 8333
 Fax: (64-7) 850 8200


THIRD ANGLE PROJECTION
 All dims are in mm Remove burrs & sharp edges ±0.15 tolerance for dims with decimal

This drawing is not to be used by any third party, unless approval is obtained in writing from MODERN TRANSPORT ENGINEERS LTD.
STEEL 46 LITRE AIR TANK, 3 PORT, END MOUNTED

DRAWN	EVo	Parts No.	173046
CHECKED	EVo	DRAWING NUMBER	C-Ata002
DATE	31.10.17	SHEET	1 OF 1
SCALE	NTS	A3 ON CAD	

REV. 2