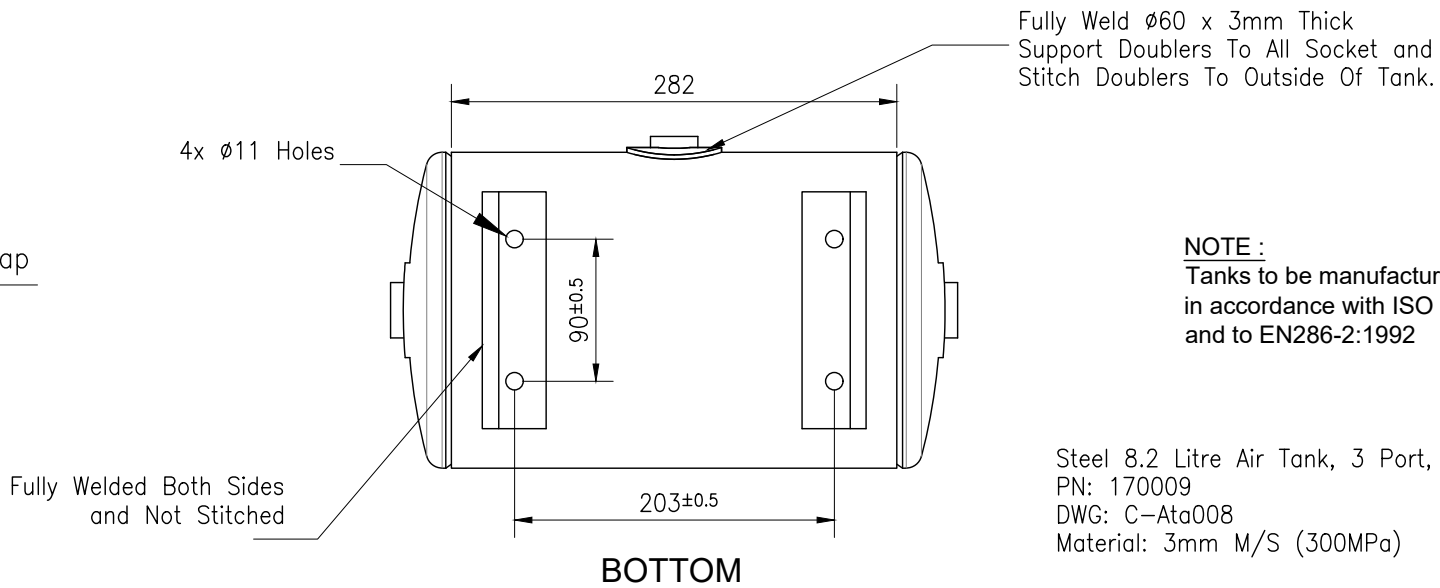
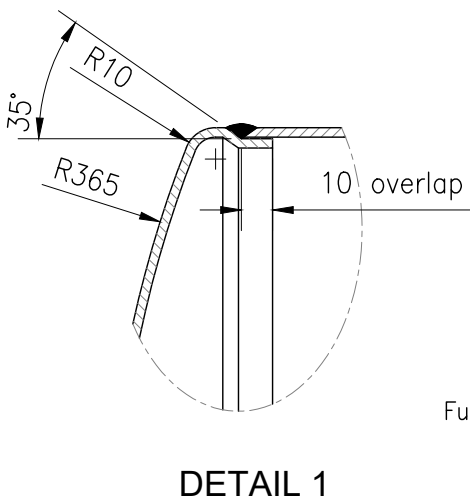
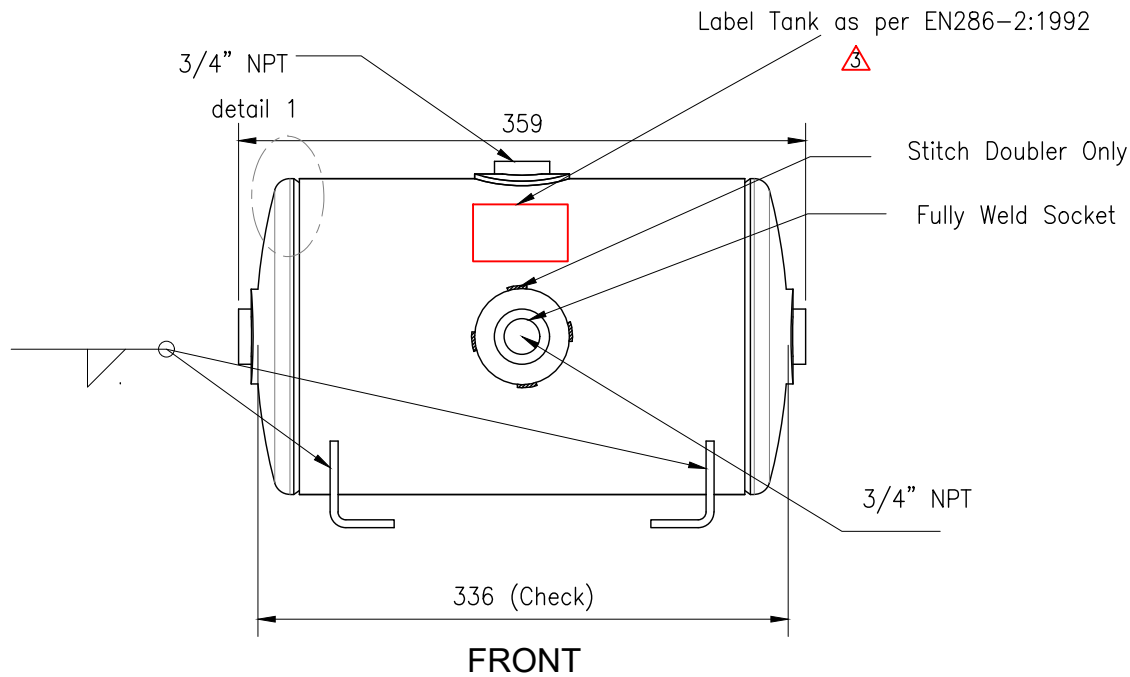
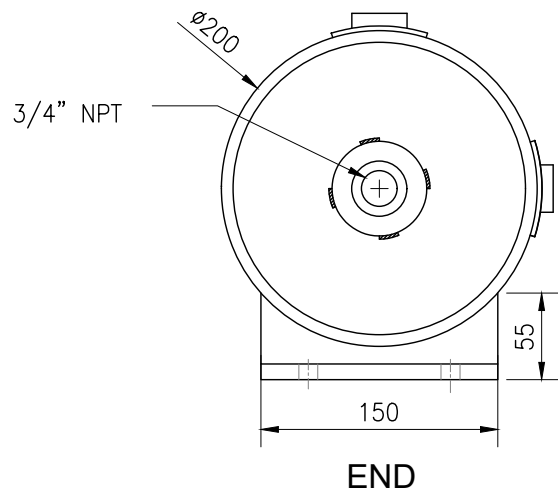


IF IN DOUBT, ASK! DO NOT SCALE



NOTE :
Tanks to be manufactured in accordance with ISO 9002 and to EN286-2:1992

Steel 8.2 Litre Air Tank, 3 Port, Saddle Mounted
PN: 170009
DWG: C-Ata008
Material: 3mm M/S (300MPa)

REV	DESCRIPTION	DRAWN	CHKD	DATE
2	UPDATED LABEL INFORMATION	RAI	ARa	15.12.20
1	UPDATE ALL AIR PORTS SIZE TO 3/4" NPT	JKi	ARa	29.09.20
0	Tank Updated to Standard End Design	KGu	EVo	05.08.16
0	FIRST ISSUE	LW		14.09.09

MODERN TRANSPORT ENGINEERS 2002 LTD

Cnr Forman & Tasman Roads
P.O.Box 10055, Te Rapa,
Hamilton, New Zealand
Ph: (64-7) 849 4609
Fax: (64-7) 849 1633

THIRD ANGLE PROJECTION

All dims are in mm Remove burrs & sharp edges ±0.15 tolerance for dims with decimal

This drawing is not to be used by any third party, unless approval is obtained in writing from MODERN TRANSPORT ENGINEERS LTD.

STEEL 8.2 LITRE AIR TANK, 3 PORT, SADDLE MOUNTED

DRAWN	RAI	Parts No.	170009
CHECKED	ARa	DRAWING NUMBER	C-Ata008
DATE	15.12.20	SHEET	1 OF 1
SCALE	NTS	A3 ON CAD	

REV. 3