

Intercom Door Station

IM4D



USER MANUAL

Micron AHD Door Station

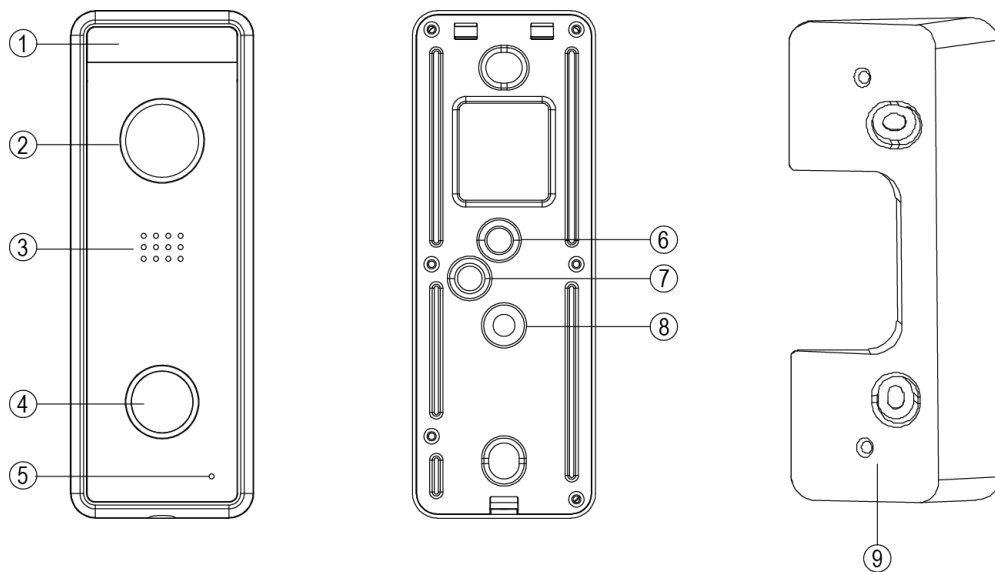
IM4D



Information & specifications contained in this manual maybe changed for the benefit of product development and improvements.

W20211130

1. Name and Functions of Each Part



NO.	Part Name	NO.	Part Name
1	LED for night vision	5	Microphone
2	Camera	6	AHD/CVBS switch
3	Speaker	7	Speaker volume adjust
4	Call button	8	Wires for monitor/electronic lock
9	Metal bracket for wall corner mounted		

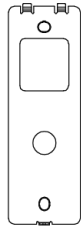
2. Features

- Aluminum housing
- Sensor resolution: 2M
- IR LED for night vision
- IR-CUT filter with auto switch
- Water-proof and dust-proof (IP66)
- Surface mount
- Weight(g):255g
- Color HD CMOS camera:1080P
- Horizontal view angle:126° (AHD);115° (CVBS)
- Speaker volume adjustable
- Door lock release
- Operation temperature: -40~50°C
- Dimensions(mm):133(H)x48(W)x19(D)

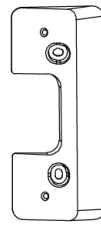
3. Packing Contents



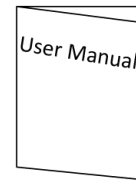
Main body



Wall bracket



Bracket



User manual



KA M4*35mm
Mounting screw



M4*35mm
Plastic expansion pipe



KM4*8mm
Fixing main body screw



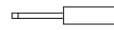
KM3*6mm
Fixing main body screw



Rubber stopper
of regurating hole



M2*50mm
Wrench



Screwdriver

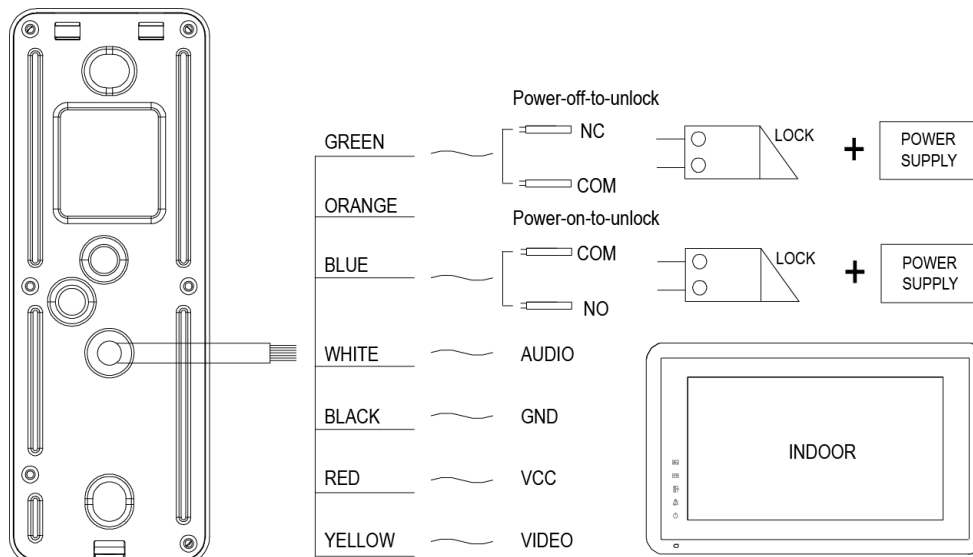


Warranty card

4. Connection Diagram

4.1 Wiring Diagram

Please be careful to wiring on polarity.

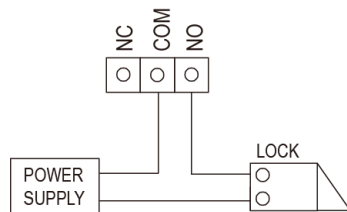


4.2 Electric Lock Connection

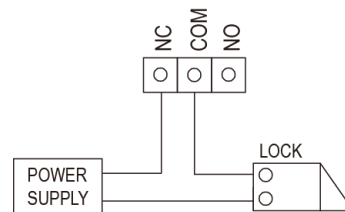
Note:

1. The external power supply must be used according to the lock.
2. The inside relay contact is restricted to DC 3A/30V.
3. There are two unlock types as the follows:

Type 1: Power-on-to-unlock

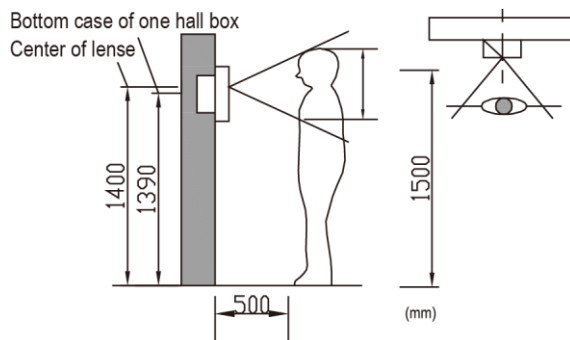


Type 2: Power-off-to-unlock



5. Installation

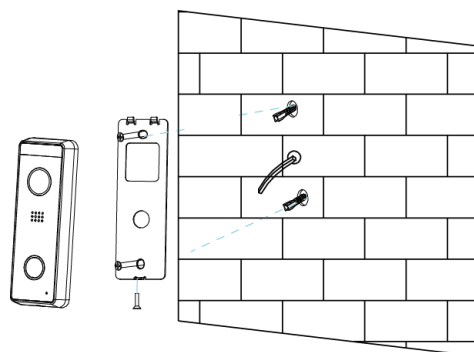
5.1 Installation location



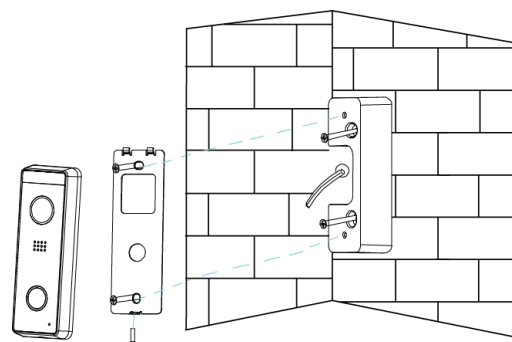
- ◆ Camera installation location
Standard installation height of outdoor station: lens's height is about 1,400mm above the floor; in this case, camera stack center is about 1,390mm above ground level.

5.2 Wiring and Installation

There are two ways to install the door station:



Surface mounted



Surface mounted (at wall corner)