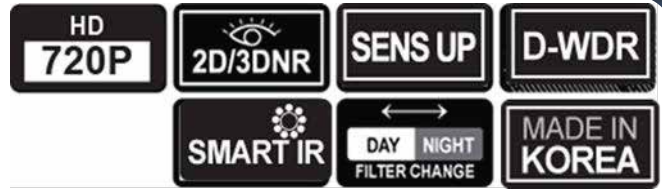


1.3 MegaPixel AHD Dome Camera

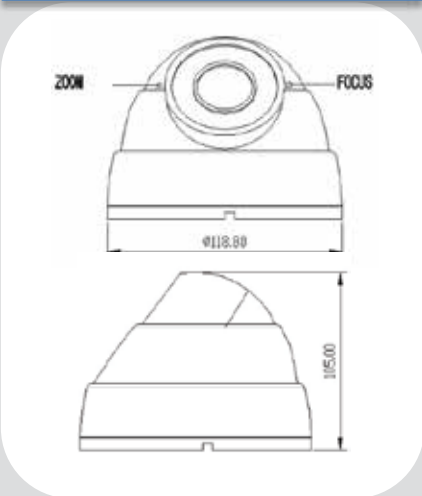
micron CMA7253



FEATURES

- 1.3 Mega Pixel 1/3" Sony CMOS Sensor
- AHD or CVBS(1280H) Video Output
- D-WDR
- 2D/3D DNR
- Sens Up : 2x ~ x30
- Motion Detection
- LSC (Lens Shading Compensation)
- Mirror / Rotate / V-Flip
- Smart IR
- Defog
- BLC / HLC
- Privacy Mask
- DIS
- True Day & Night (ICR)
- 2 MEGA PIXEL 2.8~12mm VF Lens

DIMENSION



OPTIONAL ACCESSORIES



CMB001 Mounting Base

CMB002 Wall Bracket

SPECIFICATION

| ITEM | |
|---------------------|--|
| Image Device | 1.3MP 1/3" Sony CMOS Sensor |
| Image Processor | NVP 2430H |
| Effective Pixels | 1305(H) x 1049(V) = 1.37M |
| TV System | NTSC / PAL |
| Video output | AHD or CVBS(1280H) |
| Synchronization | Internal |
| Resolution | AHD 1280x720 |
| Sensitivity | 0.1Lux with AGC OFF at 50IRE |
| S/N Ratio | More than 50dB |
| Shutter Speed | 1/60(1/50), FLK, 1/240(1/200), 1/480(1/400), 1/1K, 1/2K, 1/5K, 1/10K, 1/50K Sens Up : x2, x4, x6, x8, x10, x15, x20, x25, x30 |
| White Balance | 2000 ~ 8000°K Automatic tracking |
| OSD | D-WDR, 2D/3D DNR, Smart IR, LSC, BLC, Privacy Mask, Sens up. Motion, Defog. DIS, Mirror, Flickerless |
| Noise Reduction | 2D/3D DNR. Smart DNR |
| Lens | 2 Mega Pixel 2.8-12mm VF Lens |
| Day & Night | True Day & Night (ICR) |
| IR LED | 36pcs of 850nm LED |
| Operating Power | 12VDC |
| Operating Condition | -20°C~+60°C / 10%~85%RH |
| Dimension | 132(Ø) x 99.5(H) mm |

Design and specifications are subject to change without notice.