



**halliday
baillie**

HB 695

SLIDING DOOR PRIVACY SET

The HB 695 sliding door privacy set features an integrated push button-activated edge pull for pocketed doors. The operable snib slides upwards to engage the lock. The discrete emergency release can be operated with a pen or other sharp object to disengage the lock from the exterior.

In double door conditions, for the passive leaf specify the HB 697 Strike Body w/Edge Pull and add HB 665 Flush Pulls.

Backset : 55mm

Minimum door thickness : 38mm

Flush pulls : 250mm x 36mm x 15mm

Suitable for timber or aluminium doors

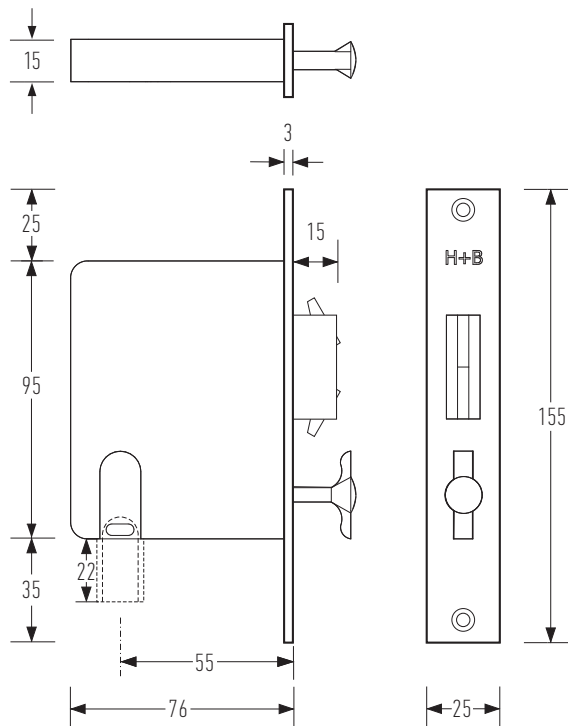
Standard HB 695 set includes:

- HB 690 Series Lock Body
- 2 Flush Pulls w/ HB 604 Timber Fixing Kits
- Strike and Dust Box
- Spindle (please specify door thickness)
- Fasteners

Available in the following finishes :

(Please check with your H+B representative, not all finishes available in all regions.)

BN : Brushed Nickel	KC : Black Chrome
BSC : Brushed Satin Chrome	PB : Polished Brass
DB : Dark Bronze	PC : Polished Chrome
EBA : Electro™ Black Ace	PN : Polished Nickel
EDB : Electro™ Dark Bronze	SC : Satin Chrome
EMB : Electro™ Medium Bronze	WHT : Appliance White



dustbox and strike plate



To be used with the HB 604 Timber fixing Kit on timber doors

Designed and manufactured in New Zealand. For more information, installation templates, and measured drawings of this product and others please visit : www.hallidaybaillie.com or contact your authorized Halliday + Baillie dealer. All information subject to change