

**halliday  
baillie**

## HB 680

### PUSH-BUTTON EDGE PULL

The Halliday+Baillie HB 680 Push Button- Activated Edge Pull for pocket doors has been designed to match the 170mm height of the HB 660 Flush Pull. Its slim faceplate, smooth push-button release and narrow 48mm body depth make it suitable for all sliding wood passage doors, including narrow stile timber and aluminium pocket doors.

Material : diecast zinc and brass

Lock box : 100mm x 49mm x 12mm

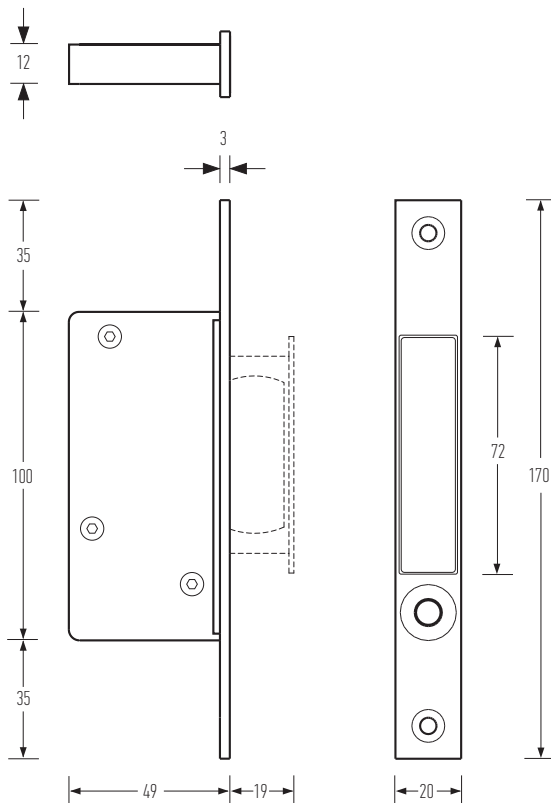
Available in the following finishes :

(Please check with your H+B representative, not all finishes available in all regions.)

BN : Brushed Nickel	KC : Black Chrome
BSC : Brushed Satin Chrome	PB : Polished Brass
DB : Dark Bronze	PC : Polished Chrome
EBA : Electro™ Black Ace	PN : Polished Nickel
EDB : Electro™ Dark Bronze	SC : Satin Chrome
EMB : Electro™ Medium Bronze	WHT : Appliance White



shown here with HB 660 flush pull (not included)



Designed and manufactured in New Zealand. For more information, installation templates, and measured drawings of this product and others please visit : [www.hallidaybaillie.com](http://www.hallidaybaillie.com) or contact your authorized Halliday + Baillie dealer. All information subject to change