

HB 660

FLUSH PULL

The Halliday+Baillie HB 660 Flush Pull sets the standard for elegant simplicity. Use this pull with the HB 680 Edge Pull for pocket doors and on projects where the HB 690 sliding door lock is specified for privacy doors.

If using together with the HB 680 Edge Pull on 25.4mm thick doors, please specify the HB 660/35.

material : diecast zinc and brass

dimensions : 170mm x 36mm x 14mm

internal grip depth : 11mm

Suitable for timber or aluminium doors

Available in the following finishes :

(Please check with your H+B representative, not all finishes available in all regions.)

BN : Brushed Nickel

KC : Black Chrome

BSC : Brushed Satin Chrome

PB : Polished Brass

DB : Dark Bronze

PC : Polished Chrome

EBA : Electro™ Black Ace

PN : Polished Nickel

EDB : Electro™ Dark Bronze

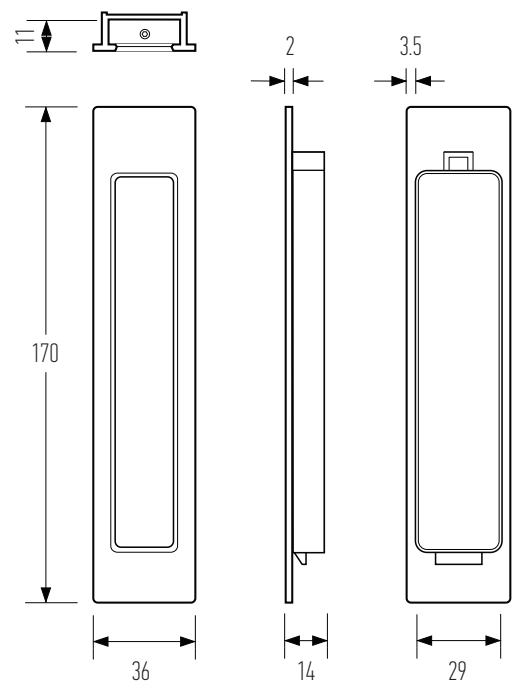
SC : Satin Chrome

EMB : Electro™ Medium Bronze

WHT : Appliance White



To be used with the HB 604 Timber Fixing Kit on timber doors



Designed and manufactured in New Zealand. For more information, installation templates, and measured drawings of this product and others please visit : www.hallidaybaillie.com or contact your authorized Halliday + Baillie dealer. All information subject to change