



**halliday  
baillie**

## HB 640 SERIES

### SLIDING DOOR ENTRY LOCK SET

The Halliday+Baillie HB 640 sliding door lock set series functions like the HB 630 series, but with a narrow backset of 33mm and a lock body depth of 45mm. It is designed for use in aluminum or timber sliding doors with narrow stiles (50.8mm).

Sliding the snib on either side operates the bolt unless a cylinder is engaged. A cylinder will lock the snib; the key does not operate the bolt.

Backset : 33mm

Minimum door thickness : 38mm

Flush pulls : 250mm x 36mm x 15mm

Suitable for timber or aluminium doors

standard HB 640 Set includes :

- HB 640 Narrow Backset Lock Body
- 2 Flush Pulls w/ HB 604 Timber Fixing Kits
- Strike and Dust Box
- Spindle (please specify door thickness)
- Fasteners
- Full Profile Cylinder (sold separately)

HB640 : Key/Snib Both Sides

HB642 : Key/Snib In, Blank Out

HB643 : Key/Snib In, No Pull Out

HB647 : With HB665 Snib In, Blank Out

HB648 : With HB665 Snib One Side

HB649 : With HB660 Snib One Side

HB649/2 : With HB660 Snib Inside, Blank Out

Available in the following finishes :

(Please check with your H+B representative, not all finishes available in all regions.)

BN : Brushed Nickel

KC : Black Chrome

BSC : Brushed Satin Chrome

PB : Polished Brass

DB : Dark Bronze

PC : Polished Chrome

EBA : Electro™ Black Ace

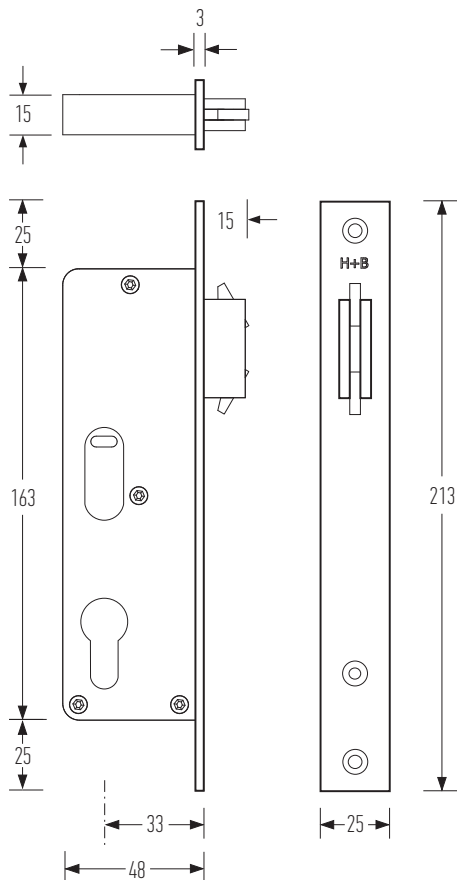
PN : Polished Nickel

EDB : Electro™ Dark Bronze

SC : Satin Chrome

EMB : Electro™ Medium Bronze

WHT : Appliance White



Designed and manufactured in New Zealand. For more information, installation templates, and measured drawings of this product and others please visit : [www.hallidaybaillie.com](http://www.hallidaybaillie.com) or contact your authorized Halliday + Baillie dealer. All information subject to change

© 2017 v1 Halliday + Baillie Ltd.



dustbox and strike plate



To be used with the HB 604 Timber fixing Kit on timber doors



HB CLF 48 3-Pin DBL Cylinder (sold separately)