



**halliday
baillie**

HB 630 SERIES

SLIDING DOOR ENTRY LOCK SET

The Halliday+Baillie HB 630 sliding door lock set series allows several snib and key lock functions for sliding doors

Sliding the snib on either side operates the bolt unless a cylinder is engaged. A cylinder will lock the snib; the key does not operate the bolt.

Various configurations are available as below.

Backset : 55mm

Minimum door thickness : 38mm

Flush pulls : 250mm x 36mm x 15mm

Suitable for timber or aluminium doors

Standard HB 630 set includes :

- HB 630 Series Lock Body
- 2 Flush Pulls w/ HB 604 Timber Fixing Kits
- Strike and Dust Box
- Spindle (please specify door thickness)
- Fasteners
- Full Profile Cylinder (sold separately)

HB 630 : Key/Snib Both Sides

HB 632 : Key/Snib In, Blank Out

HB 633 : Key/Snib In, No Pull Out (HB 638 body)

Available in the following finishes :

(Please check with your H+B representative, not all finishes available in all regions.)

BN : Brushed Nickel

KC : Black Chrome

BSC : Brushed Satin Chrome

PB : Polished Brass

DB : Dark Bronze

PC : Polished Chrome

EBA : Electro™ Black Ace

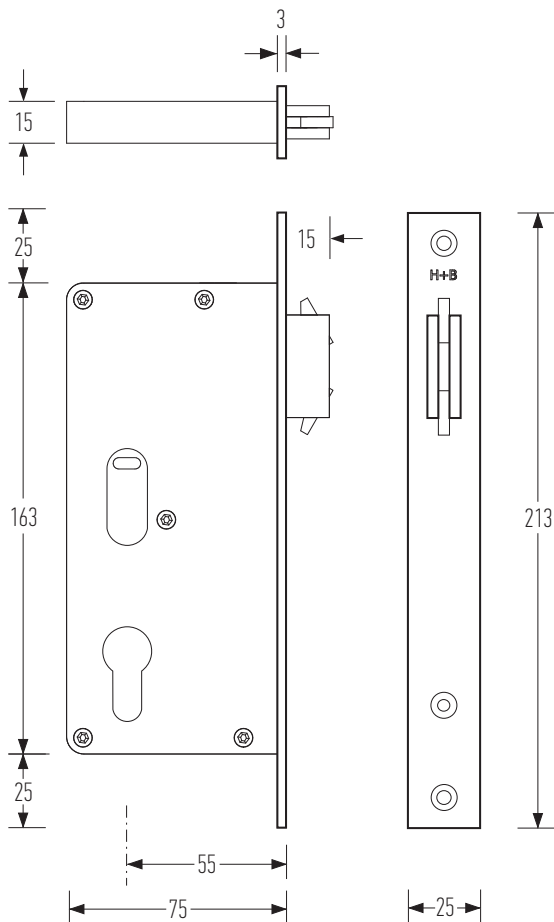
PN : Polished Nickel

EDB : Electro™ Dark Bronze

SC : Satin Chrome

EMB : Electro™ Medium Bronze

WHT : Appliance White



Designed and manufactured in New Zealand. For more information, installation templates, and measured drawings of this product and others please visit : www.hallidaybaillie.com or contact your authorized Halliday + Baillie dealer. All information subject to change

© 2017 v3 Halliday + Baillie Ltd.



dustbox and strike plate



To be used with the HB 604 Timber fixing Kit on timber doors



HB CLF 48 3-Pin DBL Cylinder (sold separately)