

**halliday  
baillie**

## HB 540

### STAIR RAIL BRACKET

The Halliday + Baillie HB 540 Handrail Bracket is designed for round 30-50mm diameter or rectangular wood handrails where a square aesthetic is required.

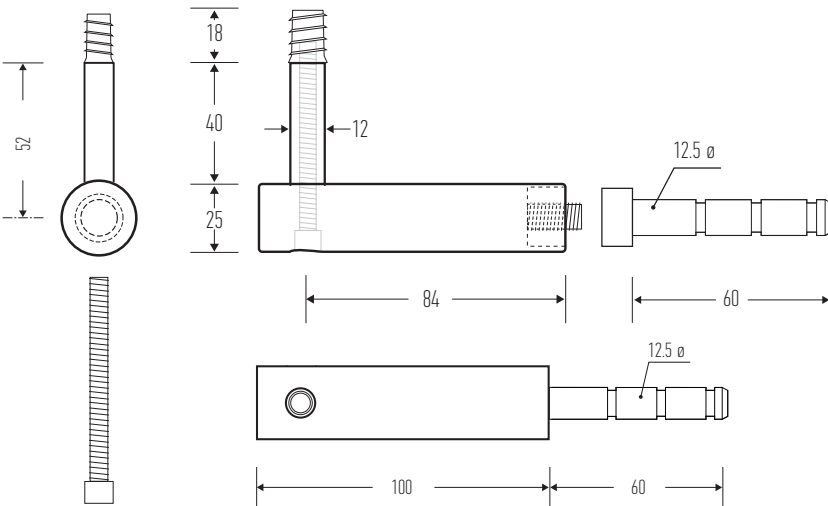
This bracket is only suitable for interior or covered exterior situations. There is currently no stainless steel alternative for this model.

Projection from wall (offstand) : 100mm  
Overall height (upstand) : 60mm

Includes all fasteners. Epoxy sold separately (please contact your local H+B dealer for further information).

Material : non-anodized aluminium alloy  
Recommended Spacing : 600-800mm

Available in all standard finishes. Please check with your H+B representative as not all finishes are available in all regions. See finishes sheet for further details.



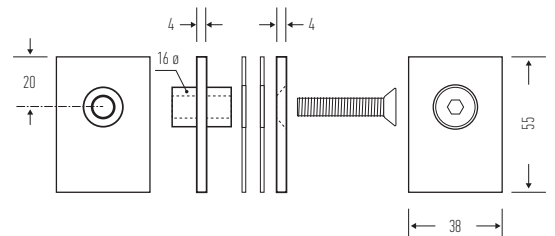
## HB 542

### GLASS FIXING KIT FOR HB 540 BRACKET

Suitable for 10mm, 12mm and 15mm glass thickness.

Finishes to match the HB540 Bracket.

Glass fixing kits sold separately (used in conjunction with the bracket, and not as a replacement).



Halliday + Baillie brackets are tested in accordance with both the AS/NZS 1170.1:2002 (Structural Design Actions) standards and the International Building Code, IBC (2003) to comply with the 200lb fall rating.

Designed and manufactured in New Zealand. For more information, installation templates, and measured drawings of this product and others please visit : [www.hallidaybaillie.com](http://www.hallidaybaillie.com) or contact your authorized Halliday + Baillie dealer. All information subject to change.