



HB 527

HB 525

HB 527

STAIR RAIL BRACKET TO MATCH HB 525

The Halliday + Baillie HB 527 has been designed to match the HB 525 where provision for electricity through the wall and bracket is required. For the wired counterpart please see the HB 525 where wiring for LED strip lights is required.

Projection from wall (offstand) : 100mm

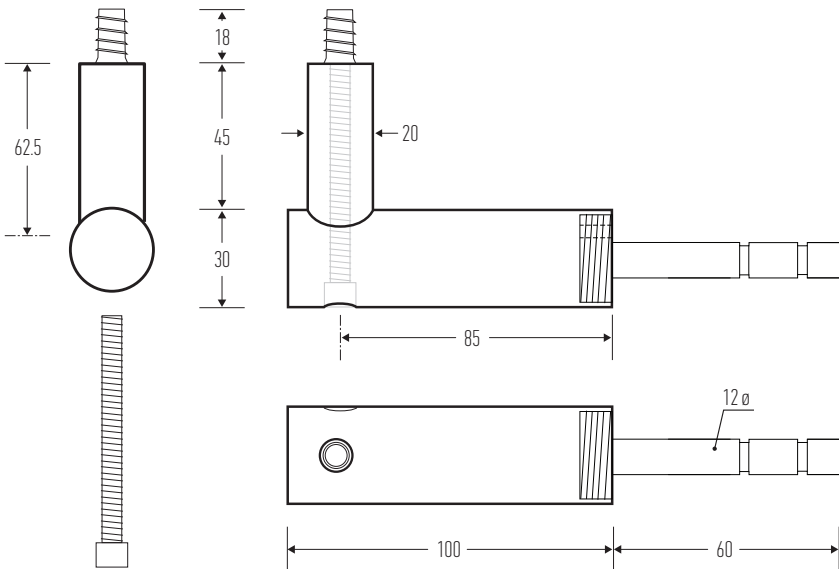
Overall height (upstand) : 75mm

Includes all fasteners. Epoxy sold separately (please contact your local H+B dealer for further information). Glass Fixing Kits are not available for the HB525, HB526, HB527 or HB528.

Material : non-anodized aluminium alloy

Recommended Spacing : 600-800mm

Available in all standard finishes except "BN" Brushed Nickel. Please check with your H+B representative as not all finishes are available in all regions. See finishes sheet for further details.



Halliday + Baillie brackets are tested in accordance with both the AS/NZS 1170.1:2002 (Structural Design Actions) standards and the International Building Code, IBC (2003) to comply with the 200lb fall rating.

Designed and manufactured in New Zealand. For more information, installation templates, and measured drawings of this product and others please visit : www.hallidaybaillie.com or contact your authorized Halliday + Baillie dealer. All information subject to change.

