



HB 527

HB 525

## HB 525

### STAIR RAIL BRACKETS WITH WIRING CAPABILITY

The Halliday + Baillie HB 525 has been developed from the HB 520 Bracket. The HB 525 incorporates a channel allowing for wiring to connect to LED lighting strips.

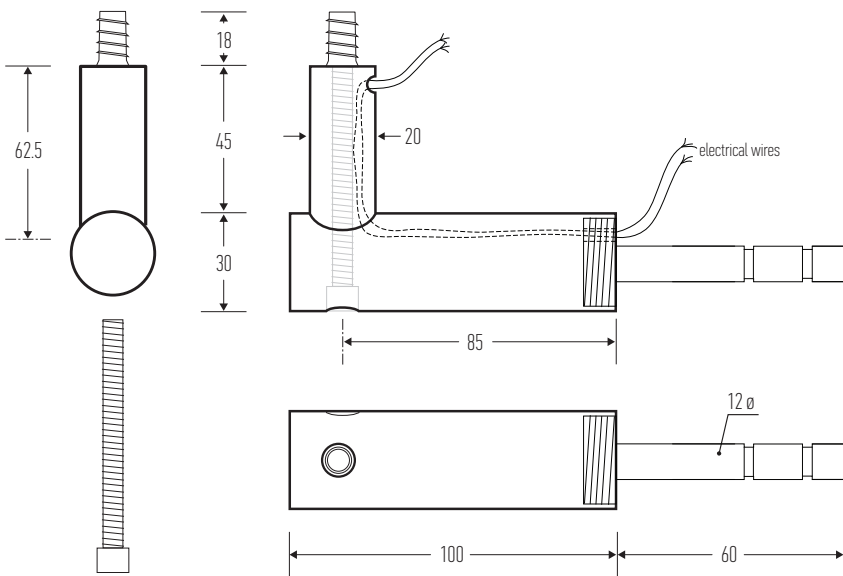
While still suitable for use with 30-50mm diameter timber handrails the HB 525 has larger dimensions than its predecessor the HB 520 this bracket and comes in a wired and non-wired version. For the non-wired counterpart please see the HB 527 where wiring for lights is not required.

Projection from wall (offstand) : 100mm  
Overall height (upstand) : 75mm

Includes all fasteners. Epoxy sold separately (please contact your local H+B dealer for further information). Glass Fixing Kits are not available for the HB525, HB526, HB527 or HB528.

Material : non-anodized aluminium alloy  
Recommended Spacing : 600-800mm

Available in all standard finishes except "BN" Brushed Nickel. Please check with your H+B representative as not all finishes are available in all regions. See finishes sheet for further details.



Halliday + Baillie brackets are tested in accordance with both the AS/NZS 1170.1:2002 (Structural Design Actions) standards and the International Building Code, IBC (2003) to comply with the 200lb fall rating.

Designed and manufactured in New Zealand. For more information, installation templates, and measured drawings of this product and others please visit : [www.hallidaybaillie.com](http://www.hallidaybaillie.com) or contact your authorized Halliday + Baillie dealer. All information subject to change.

